



RULES FOR CREDIT UNIONS

adopted by the

CREDIT UNION COMMISSION

Manuel "Manny" Cavazos -- Chair
Austin, Texas

Gary L. Janacek -- Member
Temple, Texas

Rob Kyker -- Vice Chair
Richardson, Texas

Sherri B. Merket -- Member
Midland, Texas

Allyson "Missy" Morrow -- Member
San Benito, Texas

Kay Stewart -- Member
Lone Star, Texas

Gary D. Tuma -- Member
Sugar Land, Texas

Vik Vad -- Member
Austin, Texas

A. John Yoggerst -- Member
Springfield, Illinois

As Amended by
Change 38
Effective November 2014

DISCLAIMER

Please be advised that although we strive to present totally accurate information and offer this material to assist you, you are solely responsible for any use of it that you might make.

The official version of the Texas Administrative Code - Title 7, Part 6 may be accessed at the following link: [Office of the Texas Secretary of State](#)

Series	Rule No.	Topic	Page
91.100		A. GENERAL RULES	
	91.101	Definitions and Interpretations	2
	91.103	Public Notice of Department Decisions	6
	91.104	Public Notice and Comment on Certain Applications	7
	91.105	Acceptance of Other Application Forms	7
	91.110	Protest Procedures for Applications	7
	91.115	Safety at Unmanned Teller Machines	8
	91.120	Posting of Notice Regarding Certain Loan Agreements	9
	91.121	Complaint Notification	9
	91.125	Accuracy of Advertising	10
91.200		B. ORGANIZATION PROCEDURES	
	91.201	Incorporation Procedures	11
	91.202	Bylaw and Articles of Incorporation Amendments	12
	91.203	Share and Deposit Insurance Requirements	13
	91.205	Use of Credit Union Name	13
	91.206	Underserved Area Credit Unions – Secondary Capital Accounts	14
	91.208	Notice of Known or Suspected Criminal Violations	15
	91.209	Call Reports and Other Information Requests	15
	91.210	Foreign Credit Unions	16
91.300		C. MEMBERS	
	91.301	Field of Membership	18
	91.302	Election or Other Membership Vote by Electronic Balloting, Early Voting, Absentee Voting, or Mail Balloting	21
	91.310	Annual Report to Membership	21
	91.315	Members' Access to Credit Union Documents	22
91.400		D. POWERS OF CREDIT UNIONS	
	91.401	Purchase, Lease, or Sale of Fixed Assets	22
	91.402	Insurance for Members	24
	91.403	Debt Cancellation Products; Federal Parity	25
	91.404	Purchasing Assets and Assuming Deposits and Liabilities of another Financial Institution	26
	91.405	Records Retention and Preservation	26
	91.406	Credit Union Service Contracts	28
	91.407	Electronic Notification	28
	91.408	User Fee for Shared Electronic Terminal	29

Series	Rule No.	Topic	Page
91.500		E. DIRECTION OF AFFAIRS	
	91.501	Director Eligibility and Disqualification	29
	91.502	Director/Committee Member Fees, Insurance, Reimbursable Expenses, and Other Authorized Expenditures	31
	91.503	Change in Credit Union President	32
	91.510	Bond and Insurance Requirements	32
	91.515	Financial Reporting	33
	91.516	Audits and Verifications	33
91.600		F. ACCOUNTS AND SERVICES	
	91.601	Share and Deposit Accounts	34
	91.602	Solicitation and Acceptance of Brokered Deposits	35
	91.608	Confidentiality of Member Records	35
	91.610	Safe Deposit Box Facilities	36
91.700		G. LENDING POWERS	
	91.701	Lending Powers	40
	91.703	Interest Rates	41
	91.704	Real Estate Lending	41
	91.705	Home Improvement Loans	44
	91.706	Home Equity Loans	44
	91.707	Reverse Mortgages	45
	91.708	Real Estate Appraisals or Evaluations	45
	91.709	Member Business Loans	46
	91.710	Overdraft Protection	51
	91.711	Purchase and Sale of Member Loans	52
	91.712	Plastic Cards	53
	91.713	Indirect Lending	54
	91.714	Leasing	55
	91.715	Exceptions to the General Lending Policies	57
	91.716	Prohibited Fees	57
	91.717	More Stringent Restrictions	58
	91.718	Charging Off or Setting Up Reserves	58
	91.719	Loans to Officials and Senior Management Employees	58
	91.720	Small-Dollar, Short-Term Credit	59

Series	Rule No.	Topic	Page
91.800		H. INVESTMENTS	
	91.801	Investments in Credit Union Service Organizations	60
	91.802	Other Investments	64
	91.803	Investment Limits and Prohibitions	69
	91.804	Custody and Safekeeping	71
	91.805	Loan Participation Investments	72
	91.808	Reporting Investment Activities to the Board of Directors	72
91.900		I. RESERVES AND DIVIDENDS	
	91.901	Reserve Requirements	73
	91.902	Dividends	75
91.1000		J. CHANGES IN CORPORATE STATUS	
	91.1003	Mergers/Consolidations	76
	91.1005	Conversion to a Texas Credit Union	78
	91.1006	Conversions to a Federal or Out-of-State Credit Unions	79
	91.1007	Conversion to a Mutual Savings Institution	80
	91.1008	Conversion Voting Procedures and Restrictions; Filing Requirements	81
91.2000		K. (RESERVED)	
91.3000		L. SUBMISSION OF COMMENTS BY INTERESTED PARTIES	
	91.3001	Opportunity to Submit Comments on Certain Applications	82
	91.3002	Conduct of Meetings to Receive Comments	83
91.4000		M. ELECTRONIC OPERATIONS	
	91.4001	Authority to Conduct Electronic Operations	83
	91.4002	Transactional Web Site Notice Requirement; and Security Review	84

Series	Rule No.	Topic	Page
91.5000		N. EMERGENCY OR PERMANENT CLOSING OF OFFICE OR OPERATION	
	91.5001	Emergency Closing	85
	91.5002	Effect of Closing	86
	91.5005	Permanent Closing of an Office	86
91.6000		O. TRUST POWERS	
	91.6001	Fiduciary Duties	86
	91.6002	Fiduciary Capacities	87
	91.6003	Notice Requirements	87
	91.6004	Exercise of Fiduciary Powers	87
	91.6005	Exemption from Notice	88
	91.6006	Policies and Procedures	88
	91.6007	Review of Fiduciary Accounts	89
	91.6008	Recordkeeping	89
	91.6009	Audit	89
	91.6010	Custody of Fiduciary Assets	89
	91.6011	Trust Funds	90
	91.6012	Compensation, Gifts, and Bequests	90
	91.6013	Bond Coverage	90
	91.6014	Errors and Omissions Insurance	91
	91.6015	Litigation File	91
91.7000		P. OTHER FORMS OF EQUITY CAPITAL	
	91.7000	Certificates of Indebtedness	91
91.8000		Q. ACCESS TO CONFIDENTIAL INFORMATION	
	91.8000	Discovery of Confidential Information	95

Series	Rule No.	Topic	Page
93.100		A. COMMON TERMS	
	93.101	Scope; Definitions; Severability	109
93.200		B. GENERAL RULES	
	93.201	Party Status	109
	93.202	Computation of Time	110
	93.203	Ex Parte Communications	110
	93.204	Contested Case Hearing; Informal Disposition	110
	93.205	Notice of Hearing	110
	93.206	Default	111
	93.207	Service of Documentation on Parties	112
	93.208	Delegation of Authority	112
	93.209	Subpoenas	112
	93.210	Discovery; Protective Orders; Motions to Compel	113
	93.211	Administrative Record	113
	93.212	Proposal for Decision	113
	93.213	Appearances and Representation	114
	93.214	Recovery of Department Costs	114
93.300		C. APPEALS OF PRELIMINARY DETERMINATIONS ON APPLICATIONS	
	93.301	Finality of Decision; Request for SOAH Hearing; Waiver of Appeal	114
	93.302	Referral to ADR	115
	93.303	Hearings on Applications	115
	93.305	Appeals of All Other Applications for Which No Specific Procedure is Provided by this Title	116
93.400		D. APPEALS OF CEASE AND DESIST ORDERS AND ORDERS OF REMOVAL	
	93.401	Appeals of Cease and Desist Orders and Orders of Removal	116
	93.402	Stays	116
93.500		E. APPEALS OF ORDERS OF CONSERVATION	
	93.501	Appeals of Orders of Conservation	117
	93.502	Retention of Attorney	117

Series	Rule No.	Topic	Page
93.600		F. APPEAL OF COMMISSIONER'S FINAL DETERMINATION TO THE COMMISSION	
	93.601	Appeal to the Commission	118
	93.602	Decision by the Commission	118
	93.603	Oral Arguments Before the Commission	118
	93.604	Motion for Rehearing	119
	93.605	Final Decisions and Appeals	119

Series	Rule No.	Topic	Page
95.100		A. INSURANCE REQUIREMENTS	
	95.100	Definitions	121
	95.101	Share and Depositor Insurance Protection	121
	95.102	Qualifications for an Insuring Organization	122
	95.103	General Powers and Duties of an Insuring Organization	122
	95.104	Notices	123
	95.105	Reporting	123
	95.106	Amount of Insurance Protection	124
	95.107	Sharing Confidential Information	124
	95.108	Examinations	124
	95.109	Fees and Charges	124
	95.110	Enforcement; Penalty; and Appeal	125
95.200		B. LIQUIDATING AGENTS	
	95.200	Notice of Taking Possession; Appointment of Liquidating Agent; Subordination of Rights	125
	95.205	State Not Liable for any Deficiency	126
95.300		C. GUARANTY CREDIT UNION	
	95.300	Share and Deposit Guaranty Credit Union	126
	95.301	Authority for a Guaranty Credit Union	127
	95.302	Powers	127
	95.303	Subordination of Right, Title, or Interest	128
	95.304	Accounting for Membership Investment Shares	129
	95.305	Audited Financial Statements; Accounting Procedures; Reports	129
	95.310	Fees and Charges	130
95.400		D. DISCLOSURE FOR NON-FEDERALLY INSURED CREDIT UNIONS	
	95.400	Requirements of Participating Credit Unions	130

Series	Rule No.	Topic	Page
97.100		A. GENERAL PROVISIONS	
	97.101	Meetings	133
	97.102	Delegation of Duties	133
	97.103	Recusal or Disqualification of Commission Members	133
	97.104	Petitions for Adoption or Amendment of Rules	134
	97.105	Frequency of Examination	134
	97.107	Related Entities	135
		B. FEES	
	97.113	Fees and Charges	135
	97.114	Charges for Public Records	138
	97.115	Reimbursement of Legal Expenses	139
	97.116	Recovery of Costs for Extraordinary Services Not Related to an Examination	139
97.200		C. DEPARTMENT OPERATIONS	
	97.200	Employee Training Program	140
	97.205	Use of Historically Underutilized Businesses	142
	97.207	Contracts for Professional or Personal Service	142
97.300		D. GIFTS AND BEQUESTS	
	97.300	Gifts of Money or Property	143
97.400		E. ADVISORY COMMITTEES	
	97.401	General Requirements	143

151.000

HOME EQUITY LENDING PROCEDURES

151.1	Application for Interpretation	146
151.2	Review of Request	146
151.3	Initiation of Interpretation Procedure	146
151.4	Notice of Proposed Interpretation	147
151.5	Public Comment	147
151.6	Action on Proposed Interpretation	147
151.7	Adoption of Interpretation	148
151.8	Savings Clause and Severability	148

152.000

**REPAIR, RENOVATION, AND
NEW CONSTRUCTION ON
HOMESTEAD PROPERTY**

152.1	Definitions	150
152.3	Requirements for Construction of New Improvements: Section 50(a)(5)	151
152.5	Requirements for Work and Material Used to Repair or Renovate: Section 50(a)(5)(A)-(D)	151
152.7	Consent of Spouses in the Case of Family Homestead: Section 50(a)(5)(A)	151
152.9	Five Day Waiting Period for a Contract Before Executing Work and Materials for Repairs or Renovation	152
152.11	Three Day Right to Rescind Contract for Work and Materials for Repairs or Renovation	152
152.13	Health or Safety Reasons for Waiving the Five Day Waiting Period and the Three Day Right to Rescind	152
152.15	Place for Execution of Contract for Work and Material: Section 50(a)(5)(D)	152

Series	Rule No.	Topic	Page
153.000		HOME EQUITY LENDING	
	153.1	Definitions	155
	153.2	Voluntary Lien: Section 50(a)(6)(A)	156
	153.3	Limitation on Equity Loan Amount: Section 50(a)(6)(B)	156
	153.4	Nonrecourse: Section 50(a)(6)(C)	157
	153.5	Three Percent Fee Limitation: Section 50(a)(6)(E)	157
	153.7	Prohibition on Prepayment Penalties: Section 50(a)(6)(G)	159
	153.8	Security of the Equity Loan: Section 50(a)(6)(H)	159
	153.9	Acceleration: Section 50(a)(6)(J)	160
	153.10	Number of Loans: Section 50(a)(6)(K)	160
	153.11	Repayment Schedule: Section 50(a)(L)(i)	161
	153.12	Closing Date: Section 50(a)(6)(M)(i)	161
	153.13	Preclosing Disclosure: Section 50(a)(6)(M)(ii)	162
	153.14	One Year Prohibition: Section 50(a)(M)(iii)	163
	153.15	Location of Closing: Section 50(a)(6)(N)	164
	153.16	Rate of Interest: Section 50(a)(6)(O)	165
	153.17	Authorized Lenders: Section 50(a)(6)(P)	165
	153.18	Limitation on Application of Proceeds: Section 50(a)(6)(Q)(i)	166
	153.20	No Blanks in Any Instrument: Section 50(a)(6)(Q)(iii)	166
	153.22	Copies of Documents: Section 50(a)(6)(Q)(v)	167
	153.24	Release of Lien: Section 50(a)(6)(Q)(vii)	167
	153.25	Right of Rescission: Section 50(a)(6)(Q)(viii)	167
	153.41	Refinance of a Debt Secured by a Homestead: Section 50(e)	168
	153.51	Consumer Disclosure: Section 50(g)	168
	153.82	Owner Requests for HELOC Advance	169
	153.84	Restrictions on Devices and Methods to Obtain a HELOC Advance	170
	153.85	Time the Extension of Credit is Established	170
	153.86	Maximum Principal Amount Extended under a HELOC	170
	153.87	Maximum Principal Amount of Additional Advances under a HELOC	171
	153.88	Repayment Terms of a HELOC	171
	153.91	Adequate Notice of Failure to Comply	172
	153.92	Counting the 60-Day Cure Period	172
	153.93	Methods of Notification	172
	153.94	Methods of Curing a Violation Under Section 50(a)(6)(Q)(x)(a)-(e)	173
	153.95	Cure a Violation Under Section 50(a)(6)(Q)(x)	173
	153.96	Correcting Failures Under Section 50(a)(6)(Q)(x)(f)	173

Title 7

Part VI. Credit Union Department

Chapter 91

**CHARTERING, OPERATIONS, MERGERS,
LIQUIDATIONS**

CHAPTER 91
Subchapter A. General Rules

§91.101. Definitions and Interpretations.

(a) Words and terms used in this chapter that are defined in Finance Code §121.002, have the same meanings as defined in the Finance Code. The following words and terms, when used in this chapter, shall have the following meanings, unless the context clearly indicates otherwise.

(1) Act--the Texas Credit Union Act (Texas Finance Code, Subtitle D).

(2) Allowance for loan and lease losses (ALLL)--a general valuation allowance that has been established through charges against earnings to absorb losses on loans and lease financing receivables. An ALLL excludes the regular reserve and special reserves.

(3) Applicant--an individual or credit union that has submitted an application to the commissioner.

(4) Application--a written request filed by an applicant with the department seeking approval to engage in various credit union activities, transactions, and operations or to obtain other relief for which the commission is authorized by the act to issue a final decision or order subject to judicial review.

(5) Appraisal--a written statement independently and impartially prepared by a qualified appraiser setting forth an opinion as to the market value of a specifically described asset as of a specific date, supported by the presentation and analysis of relevant market information.

(6) Automated teller machine (ATM)--an automated, unstaffed credit union facility owned by or operated exclusively for the credit union at which deposits are received, cash dispensed, or money lent.

(7) Catastrophic act—any natural or man-made disaster such as a flood, tornado, earthquake, major fire or other disaster resulting in physical destruction or damage.

(8) Community of interest--a unifying factor among persons that by virtue of its existence, facilitates the successful organization of a new credit union or promotes economic viability of an existing credit union. The types of community of interest currently recognized are:

(A) Occupational--based on an employment relationship that may be established by:

(i) employment (or a long term contractual relationship equivalent to employment) by a single employer, affiliated employers or employers under common ownership with at least a 10% ownership interest;

(ii) employment or attendance at a school; or

(iii) employment in the same trade, industry or profession (TIP) with a close nexus and narrow commonality of interest, which is geographically limited.

(B) Associational--based on groups consisting primarily of natural persons whose members participate in activities developing common loyalties, mutual benefits, or mutual interests. In determining whether a group has an associational community of interest, the commissioner shall consider the totality of the circumstances, which include:

(i) whether the members pay dues,

(ii) whether the members participate in furtherance of the goals of the association,

(iii) whether the members have voting rights,

(iv) whether there is a membership list,

(v) whether the association sponsors activities,

(vi) what the association's membership eligibility requirements are, and

(vii) the frequency of meetings. Associations formed primarily to qualify for credit union membership and associations based on client or customer relationships, do not have a sufficient associational community of interest.

(C) Geographic--based on a clearly defined and specific geographic area where persons have common interests and/or interact. More than one credit union may share the same geographic community of interest. There are currently four types of affinity on which a geographic community of interest can be based: persons, who

- (i) live in,
- (ii) worship in,
- (iii) attend school in, or
- (iv) work in that community.

The geographic community of interest requirements are met if the area to be served is in a recognized single political jurisdiction, e.g., a city or a county, or a portion thereof.

(D) Other--The commissioner may authorize other types of community of interest, if the commissioner determines that either a credit union or foreign credit union has sufficiently demonstrated that a proposed factor creates an identifiable affinity among the persons within the proposed group. Such a factor shall be well-defined, have a geographic definition, and may not circumvent any limitation or restriction imposed on one of the other enumerated types.

(9) Construction or development loan--a financing arrangement for acquiring property or rights to property, including land or structures, with the intent of converting the property into income-producing property such as residential housing for rental or sale; commercial use; industrial use; or similar use. Construction or development loan includes a financing arrangement for the major renovation or development of property already owned by the borrower that will convert the property to income-producing property or convert the use of income-producing property to a different or expanded use from its former use. Construction or development loan does not include loans to finance maintenance, repairs, or improvements to an existing income-producing property that do not change its use.

(10) Day--whenever periods of time are specified in this title in days, calendar days are intended. When the day, or the last day fixed by statute or under this title for taking any action falls on Saturday, Sunday, or a state holiday, the action may be taken on the next succeeding day which is not a Saturday, Sunday, or a state holiday.

(11) Department newsletter--the monthly publication that serves as an official notice of all applications, and by which procedures to protest applications are described.

(12) Field of membership (FOM)--refers to the totality of persons a credit union may accept as members. The FOM may consist of one group, several groups with a related community of interest, or several unrelated groups with each having its own community of interest.

(13) Finance Code or Texas Finance Code--the codification of the Texas statutes governing financial institutions, financial businesses, and related financial services, including the regulations and supervision of credit unions.

(14) Imminent danger of insolvency--a circumstance or condition in which a credit union is unable or lacks the means to meet its current obligations as they come due in the regular and ordinary course of business, even if the value of its assets exceeds its liabilities; or the credit union has a positive net worth ratio equal to two percent or less of its assets.

(15) Improved residential property--real property consisting of a residential dwelling having one to four dwelling units, at least one of which is occupied by the owner of the property. This term shall also include a one to four unit dwelling occupied in whole or in part by the owner on a seasonal basis.

(16) Indirect financing--a program in which a credit union makes the credit decision in a transaction where the credit is extended by the vendor and assigned to the credit union or a loan transaction that generally involves substantial participation in and origination of the transaction by a vendor.

(17) Loan-to-value ratio--the aggregate amount of all sums borrowed including outstanding balances plus any unfunded commitment or line of credit from all sources on an item of collateral divided by the market value of the collateral used to secure the loan.

(18) Loan and extension of credit--a direct or indirect advance of funds to a member, or on that member's behalf, that is conditioned upon the repayment of the funds by the member or the application of collateral. The terminology also includes the purchase of a member's loan or other obligation, a lease financing transaction, a credit sale, a line of credit or loan commitment under which the credit union is contractually obligated to advance funds to or on behalf of a member, an advance of funds to honor a check or share draft drawn on the credit union by a member, or any other indebtedness not classified as an investment security.

(19) Manufactured home--a HUD-code manufactured home as defined by the Texas Manufactured Housing Standards Act. The terminology may also include a mobile home, house trailer, or similar recreational vehicle if the unit will be used as the member's residence and the loan is secured by a first lien on the unit, and the unit meets the requirements for the home mortgage interest deduction under the Internal Revenue Code (26 U.S.C. Section 163(a), (h)(2)(D)).

(20) Market Value--the most probable price which an asset should bring in a competitive and open market under an arm's-length sale, the buyer and seller each acting prudently and knowledgeably, and assuming the price is not affected by undue stimulus. Implicit in this definition is the consummation of a sale as of a specified date and the passing of ownership from seller to buyer where:

- (A) Buyer and seller are typically motivated;
- (B) Both parties are well informed or well advised, and acting in their own best interests;
- (C) A reasonable time is allowed for exposure in the open market;
- (D) Payment is made in cash in U.S. dollars or in terms of financial arrangements comparable thereto; and
- (E) The price represents the normal consideration for the property sold unaffected by special or creative financing or sales concessions granted by anyone associated with the sale.

(21) Metropolitan Statistical Area (MSA)--a geographic area as defined by the director of the U. S. Office of Management and Budget.

(22) Mobile office--a branch office that does not have a single, permanent site, including a vehicle that travels to various public locations to enable members to conduct their credit union business.

(23) Office--includes any service facility or place of business established by a credit union at which deposits are received, checks or share drafts paid, or money lent. This definition includes a credit union owned branch, a mobile branch, an office operated on a regularly scheduled weekly basis, a credit union owned ATM, or a credit union owned electronic facility that meets, at a minimum, these requirements; however, it does not include the credit union's Internet website. This definition also includes a shared branch or a shared branch network if either:

- (A) the credit union has an ownership interest in the service facility either directly or through a CUSO or similar organization; or
- (B) the service facility is local to the credit union and the credit union is an authorized participant in the service center.

(24) Overlap--the situation which exists when a group of persons is eligible for membership in two or more state, foreign, or federal credit unions doing business in this state. Notwithstanding this provision, no overlap exists if eligibility for credit union membership results solely from a family relationship.

(25) Pecuniary interest --the opportunity, directly or indirectly, to make money on or share in any profit or benefit derived from a transaction.

(26) Person--an individual, partnership, corporation, association, government, governmental subdivision or agency, business trust, estate, trust, or any other public or private entity.

(27) Principal office--the home office of a credit union.

(28) Protestant--a credit union that opposes or objects to the relief requested by an applicant.

(29) Real estate or real property—an identified parcel or tract of land. The term includes improvements, easements, rights of way, undivided or future interest and similar rights in a tract of land, but does not include mineral rights, timber rights, growing crops, water rights and similar interests severable from the land when the transaction does not involve the associated parcel or tract of land.

(30) Remote service facility--an automated, unstaffed credit union facility owned or operated by, or operated for, the credit union, such as an automated teller machine, cash dispensing machine, point-of-sale terminal, or other remote electronic facility, at which deposits are received, cash dispensed, or money lent.

(31) Reserves--allocations of retained earnings including regular and special reserves, except for any allowances for loan, lease or investment losses.

(32) Resident of this state--a person physically located in, living in or employed in the state of Texas.

(33) Respondent--a credit union or other person against whom a disciplinary proceeding is directed by the department.

(34) Shared service center--a facility which is connected electronically with two or more credit unions so as to permit the facility, through personnel at the facility and the electronic connection, to provide a credit union member at the facility the same credit union services that the credit union member could lawfully obtain at the principal office of the member's credit union.

(35) Secured credit--a loan made or extension of credit given upon an assignment of an interest in collateral pursuant to applicable state laws so as to make the enforcement or promise more certain than the mere personal obligation of the debtor or promisor. Any assignment may include an interest in personal property or real property or a combination thereof.

(36) TAC--an acronym for the Texas Administrative Code, a compilation of all state agency rules in Texas.

(37) Title or 7 TAC--Title 7, Part VI of the Texas Administrative Code [(TAC)], Banking and Securities, which contains all of the department's rules.

(38) Underserved area--a geographic area, which could be described as one or more contiguous metropolitan statistical areas (MSA) or one or more contiguous political subdivisions, including counties, cities, and towns, that satisfy any one of the following criteria:

(A) A majority of the residents earn less than 80 percent of the average for all wage earners as established by the U. S. Bureau of Labor Statistics;

(B) The annual household income for a majority of the residents falls at or below 80 percent of the median household income for the State of Texas, or the nation, whichever is higher; or

(C) The commission makes a determination that the lack of available or adequate financial services has adversely effected economic development within the specified area.

(39) Uninsured membership share--funds paid into a credit union by a member that constitute uninsured capital under conditions established by the credit union and agreed to by the member including possible reduction under §122.105 of the act, risk of loss through operations, or other forfeiture. Such funds shall be considered an interest in the capital of the credit union upon liquidation, merger, or conversion.

(40) Unsecured credit--a loan or extension of credit based solely upon the general credit financial standing of the borrower. The term shall include loans or other extensions of credit supported by the signature of a co-maker, guarantor, or endorser.

(b) The same rules of construction that apply to interpretation of Texas statutes and codes, the definitions in the Act and in Government Code §2001.003, and the definitions in subsection (a) of this section govern the interpretation of this title. If any section of this title is found to conflict with an applicable and controlling provision of other state or federal law, the section involved shall be void to the extent of the conflict without affecting the validity of the rest of this title.

Source: The provisions of this §91.101 adopted to be effective November 13, 2000, 25 TexReg 11277; amended to be effective January 7, 2004, 29 TexReg 81; amended to be effective November 14, 2004, 29 TexReg 10253; amended to be effective November 16, 2005, 30 TexReg 7432; reviewed and amended to be effective November 8, 2009, 34 TexReg 7620; reviewed and readopted to be effective June 24, 2013, 38 TexReg 4392.

§91.103. Public Notice of Department Decisions.

The commissioner shall cause notice of final actions taken by the department on certain activities to be published in the *Texas Register* and the department newsletter. Notice shall be published in both publications within 30 days of the action becoming final. The activities covered by this requirement are:

- (1) an application for incorporation under Texas Finance Code §122.001;
- (2) a request for an amendment to a credit union's articles of incorporation under Texas Finance Code §122.011;
- (3) a request for an amendment to a credit union's bylaws for the expansion of its field of membership under Texas Finance Code §122.011;
- (4) an application for merger or consolidation under Texas Finance Code §122.152;
- (5) a request by a foreign credit union to do business in Texas under Texas Finance Code §122.013; and
- (6) an application for conversion of a credit union's certificate of incorporation under Texas Finance Code §§122.201, 122.202, 122.203, or 91.1007 of this chapter (relating to conversion to a Mutual Savings Institution).

Source: The provisions of this §91.103 adopted to be effective May 10, 1998, 23 TexReg 4567; readopted to be effective November 19, 2001, 26 TexReg 9934; readopted to be effective June 20, 2005, 30 TexReg 3882; amended to be effective November 8, 2009, 34 TexReg 7623; reviewed and readopted to be effective June 24, 2013, 38 TexReg 4392.

§91.104. Public Notice and Comment on Certain Applications.

(a) Upon receipt of a complete application for authorization to be granted by the department, the commissioner shall cause notice of such application to be published in the *Texas Register* and the department newsletter. Notice shall be published in both publications at least 30 days prior to taking action on the request. The activities covered by this requirement are:

- (1) an application for incorporation under Texas Finance Code §122.001;
- (2) a request for an amendment to a credit union's articles of incorporation under Texas Finance Code §122.011;
- (3) a request for an amendment to a credit union's bylaws for an expansion of its field of membership under Texas Finance Code §122.011;
- (4) an application for merger or consolidation under Texas Finance Code §122.152;
- (5) an application for conversion of a credit union's certificate of incorporation under Section 91.1007 of this chapter (relating to conversion to a mutual savings institution); and
- (6) a request by a foreign credit union to do business in Texas under Texas Finance Code §122.013.

(b) The commissioner may waive or delay notice of applications under subsection (a) of this section when a waiver or delay is in the public interest. The commissioner shall consider the welfare and stability of the affected credit union(s) in determining the public interest. If the commissioner determines that delaying public notice is in the public interest, the notice of application shall be published in each publication at the earliest feasible time.

Source: The provisions on this §91.104 adopted to be effective May 11, 2000, 25 TexReg 3943; readopted to be effective November 19, 2001, 26 TexReg 9934; readopted to be effective June 20, 2005, 30 TexReg 3882; reviewed and amended to be effective November 8, 2009, 34 TexReg 7623; reviewed and readopted to be effective June 24, 2013, 38 TexReg 4392.

§91.105. Acceptance of Other Application Forms.

Notwithstanding other requirements of this chapter, if another state or federal regulator's application and forms provide all the information required by Texas law, the commissioner may accept those forms. This does not limit the commissioner's power to require additional information necessary to complete an application or other form.

Source: The provisions on this §91.105 adopted to be effective May 11, 2000, 25 TexReg 3943; readopted to be effective December 18, 2003, 29 TexReg 235; readopted to be effective June 20, 2005, 30 TexReg 3882; reviewed and amended to be effective November 8, 2009, 34 TexReg 7624; reviewed and readopted to be effective June 24, 2013, 38 TexReg 4392.

§91.110. Protest Procedures for Applications.

A protestant to an application for authorization to be granted by the commissioner must file a written notice of protest, in such form as the commissioner may prescribe, within 30 days of the date that notice of the application is published in either the *Texas Register* or the department newsletter, whichever is later. The notice of protest must provide all information that the protestant wishes the commissioner to consider in evaluating the application.

Source: The provisions on this §91.110 adopted to be effective May 11, 2000, 25 TexReg 3943; readopted to be effective December 18, 2003, 29 TexReg 235; readopted to be effective June 20, 2005, 30 TexReg 3882; reviewed and readopted to be effective June 22, 2009, 34 TexReg 4549; reviewed and readopted to be effective June 24, 2013, 38 TexReg 4392.

§91.115. Safety at Unmanned Teller Machines.

(a) Definitions. Words and terms used in this subchapter that are defined in the Finance Code §59.307, have the same meanings as defined in the Finance Code.

(b) Measurement of candle foot power. For the purposes of measuring compliance with the Finance Code §59.307, candle foot power should be determined under normal, dry weather conditions, without complicating factors such as fog, rain, snow, sand, or dust storm, or other similar condition.

(c) Safety evaluations.

(1) The credit union owner or operator of an unmanned teller machine shall evaluate the safety of each machine on a basis no less frequently than annually, unless the machine is exempted under the Finance Code §59.302.

(2) The safety evaluation shall consider at the least the factors identified in the Finance Code, §59.308.

(3) The credit union owner or operator of the unmanned teller machine may provide the landlord or owner of the property with a copy of the safety evaluation if an access area or defined parking area for an unmanned teller machine is not controlled by the credit union owner or operator of the machine.

(d) Notice. A credit union issuer of access devices shall furnish its members with a notice of basic safety precautions that each member should employ while using an unmanned teller machine.

(1) Access devices. The notice shall be delivered personally or mailed to each member, whose mailing address is in this state, when an access device is issued, renewed or replaced.

(2) Content. The notice of basic safety precautions required by this section must be provided in written form which can be retained by the member and may include recommendations or advice regarding:

(A) security at walk-up or drive-up unmanned teller machines;

(B) protection of code or personal identification numbers;

(C) procedures for lost or stolen access devices;

(D) reaction to suspicious circumstances;

(E) safekeeping and disposition of unmanned teller machine receipts, such as the inadvisability of leaving an unmanned teller machine receipt near the unmanned teller machine;

(F) the inadvisability of surrendering information about the member's access device over the telephone;

(G) safeguarding and protecting the member's access device, such as a recommendation that the member treat the access device as if it was cash;

(H) protection against unmanned teller machine fraud, such as a recommendation that the member compare unmanned teller machine receipts against the member's monthly statement; and

(I) other recommendations that the credit union reasonably believes are appropriate to facilitate the security of its unmanned teller machine users.

(e) Leased premises.

(1) Noncompliance by landlord. Pursuant to the Finance Code, §59.306, the landlord or owner of property is required to comply with the safety procedures of the Finance Code, Chapter 59, Subchapter D, if an access area or defined parking area for an unmanned teller machine is not controlled by the owner or operator of the unmanned teller machine. If a credit union owner or operator of an unmanned teller machine on leased premises is unable to obtain compliance with safety procedures from the landlord or owner of the property, the credit union

shall notify the landlord in writing of the requirements of the Finance Code, Chapter 59, Subchapter D, and of those provisions for which the landlord is in noncompliance.

(2) Enforcement. Noncompliance with safety procedures required by the Finance Code, Chapter 59, Subchapter D, by a landlord or owner of property after receipt of written notification from the owner or operator constitutes a violation of the Finance Code, Chapter 59, Subchapter D, which may be enforced by the Texas Attorney General.

(f) Video surveillance equipment. Video surveillance equipment is not required to be installed at all unmanned teller machines. The credit union owner or operator must determine whether video surveillance or unconnected video surveillance equipment should be installed at a particular unmanned teller machine site, based on the safety evaluation required under the Finance Code, §59.308. If a credit union owner or operator determines that video surveillance equipment should be installed, the credit union must provide for selecting, testing, operating, and maintaining appropriate equipment.

Source: The provisions on this §91.115 adopted to be effective May 11, 2000, 25 TexReg 3944; readopted to be effective December 18, 2003, 29 TexReg 235; amended to be effective November 16, 2005, 30 TexReg 7432; reviewed and readopted to be effective June 22, 2009, 34 TexReg 4549; reviewed and amended to be effective November 10, 2013, 38 TexReg 7704.

§91.120. Posting of Notice Regarding Certain Loan Agreements.

(a) As required by the Business and Commerce Code §26.02, all credit unions are required to conspicuously post notices informing members of the requirements that certain loan agreements must be in writing. The notice must include the language and be in the format prescribed by the Finance Commission of Texas in §3.34 of this title (relating to Posting of Notice in All Financial Institutions).

(b) Each credit union shall post the notice required by subsection (a) in the lobby of each of its offices other than off-premises electronic deposit facilities.

Source: The provisions on this §91.120 adopted to be effective May 11, 2000, 25 TexReg 3944; readopted to be effective December 18, 2003, 29 TexReg 235; readopted to be effective June 20, 2005, 30 TexReg 3882; reviewed and readopted to be effective June 22, 2009, 34 TexReg 4549; reviewed and readopted to be effective June 24, 2013, 38 TexReg 4392.

§91.121. Complaint Notification.

(a) Definitions.

(1) “Privacy notice” means any notice which a credit union gives regarding a member’s right to privacy, as required by a state or federal law.

(2) For purposes of subsection (b) of this section and unless the context reads otherwise, “notice” means a complaint notification in the form set forth in subsection (b)(1) of this section.

(b) Required Notice.

(1) Credit unions must provide their members with the following notice describing the process for filing complaints:

“If you have a problem with the services provided by this credit union, please contact us at:

(Your Name) Credit Union
Mailing Address
Telephone Number or e-mail address

The credit union is incorporated under the laws of the State of Texas and under state law is subject to regulatory oversight by the Texas Credit Union Department. If any dispute is not resolved to your satisfaction, you may also file a complaint against the credit union by contacting the Texas Credit Union Department at 914 East Anderson Lane, Austin, Texas 78752-1699, Telephone Number: (512) 837-9236, Website: www.cud.texas.gov.”

(2) The title of this notice shall be “**COMPLAINT NOTICE**” and must be in all capital letters and boldface type.

(3) The credit union must provide the notice as follows:

(A) In each office where a credit union typically conducts business on a face-to-face basis, the notice, in the form specified in paragraph (1) of this subsection, must be conspicuously posted. A notice is deemed to be conspicuously posted if a member with 20/20 vision can read it from the place where he or she would typically conduct business or if it is included in plain view on a bulletin board on which required communications to the membership (such as equal housing posters) are posted.

(B) If a credit union maintains a website, it must include the notice or a link to the notice in a reasonably conspicuous place on the website.

(C) If a credit union distributes a newsletter, it must include the notice on approximately the same date at least once during each calendar year in any newsletter distributed to its members.

(D) If a credit union does not have an Internet website or does not distribute a newsletter, the notice must be included with any privacy notice the credit union is required to give or send its members.

Source: The provisions on this §91.121 adopted to be effective March 4, 2009, 34 TexReg 1399; amended to be effective March 14, 2010, 35 TexReg 1977; amended to be effective November 13, 2011, 36 TexReg 7540; reviewed and readopted to be effective June 24, 2013, 38 TexReg 4392.

§91.125. Accuracy of Advertising.

(a) As used in this rule, an advertisement is any informational communication, including oral, written, electronic, broadcast or any other type of communication, made to members, prospective members, or to the public at large in any manner designed to attract attention to the business of a credit union.

(b) No credit union shall disseminate or cause the dissemination of any advertisement that is in any way intentionally or negligently false, deceptive, or misleading. An advertisement shall be deemed by the Commissioner to be intentionally or negligently false, deceptive, or misleading if it:

- (1) contains materially false claims or misrepresentations of material facts;
- (2) contains materially implied false claims or implied misrepresentations of material fact;
- (3) omits material facts;
- (4) makes a representation likely to create an unjustified expectation about credit union products or services;

(5) states that the credit union's services are superior to or of a higher quality than that of another financial institution unless the credit union can factually substantiate the statement;

(6) states that a service is free when it is not, or contains intentionally untruthful or deceptive claims regarding costs and fees; and

(7) fails to disclose that membership is required to participate in or enjoy the advantage of the product or service (does not apply to advertisement to current members).

(c) Prior to placing an advertisement, a credit union must possess credible information which, when produced, substantiates the truthfulness of any assertion, representation or omission of material fact set forth in the advertisement.

(d) If the Commissioner notifies a credit union that an advertisement is deemed to be false, deceptive or misleading, the credit union will have ten days following the credit union's receipt of the notification to provide the Commissioner with information substantiating the truthfulness of the advertisement. If the credit union does not provide this information or the Commissioner, after receipt of the information, still deems the advertisement to be false, deceptive or misleading, the Commissioner may issue a cease and desist order to the credit union to stop the use of the advertisement.

Source: The provisions on this §91.125 adopted to be effective November 16, 2005, 30 TexReg 7432; reviewed and readopted to be effective June 22, 2009, 34 TexReg 4549; reviewed and readopted to be effective June 24, 2013, 38 TexReg 4392.

Subchapter B. Organization Procedures

§91.201. Incorporation Procedures.

(a) An application to incorporate a credit union shall be in writing and supported by such information and data as the commissioner may require to make the findings necessary for the issuance of a certificate of incorporation.

(b) Business Plan. The application must include a business plan that covers three years and provides detailed explanations of actions that are proposed to accomplish the primary functions of the credit union. The description should provide enough detail to demonstrate that the institution has a reasonable chance for success, will operate in a safe and sound manner, and will maintain adequate capital to support its operations. Specifically the plan must:

(1) Describe the credit union's business, including the products, member services, and other activities;

(2) Provide quarterly pro forma financial information for the three years of operation, including annual totals for the Income Statement;

(3) Describe in detail all of the assumptions used to prepare the projected financial information;

(4) Discuss the capital goals and the means to achieve them;

(5) Discuss the overall marketing/advertising strategy to reach potential members;

(6) Discuss the credit union's strategy for obtaining required share and deposit insurance protection for its members' accounts; and

(7) Describe the economic forecast for the three years of the plan.

(c) The commissioner shall determine whether or not an application is complete within thirty days of its receipt and provide written notice of the determination. If the application is deemed incomplete, the notice shall provide with reasonable specificity the deficiencies in the application.

(d) Upon the determination that an application is complete, the commissioner shall make or cause to be made an investigation and examination of the facts concerning the applicant. It is essential that the investigation and examination confirm to the satisfaction of the commissioner that the proposed institution will have a reasonable opportunity to succeed.

(e) Proposed credit unions must investigate the possibility of an overlap with existing state or federal credit unions doing business in this state prior to submitting an application. When an overlap situation does arise, officials of the involved entities must attempt to resolve the overlap issue. Typically, an overlap will not be considered adverse to the overlapped credit union if:

(1) the group has fewer than 3000 primary potential members or the overlap is otherwise incidental in nature;

(2) the overlapped credit union does not object to the overlap;

(3) there is limited participation by members or employees of the group in the original credit union after the expiration of a reasonable period of time; or

(4) a single occupational or associational based credit union overlaps a community chartered credit union.

(f) When the applicant and a credit union agree and/or the commissioner has determined that overlap protection is appropriate, an exclusionary clause will be included in the proposed field of membership for a period of 24 months from the date the proposed credit union commences business. The commissioner, for good cause shown, may extend this period for an additional 24 months.

(g) The commissioner may approve the application conditioned upon specific requirements being met, but the certificate of incorporation shall not be issued unless such conditions have been met within the time specified in the approval order or any extension as set forth in Finance Code §122.006.

Source: The provisions of this §91.201 adopted to be effective May 11, 2000, 25 TexReg 3945; adopted to be effective January 7, 2004, 29 TexReg 82; amended to be effective November 14, 2004, 29 TexReg 10253; readopted to be effective June 20, 2005, 30 TexReg 3882; reviewed and amended to be effective November 8, 2009, 34 TexReg 7624; reviewed and readopted to be effective June 24, 2013, 38 TexReg 4392.

§91.202. Bylaw and Articles of Incorporation Amendments.

(a) The Standard Bylaws for State Chartered Credit Unions ("Standard Bylaws"), approved by the commission on February 20, 2004, or as subsequently revised or amended, constitute the bylaws which shall be used by credit union incorporators.

(b) The commissioner is expressly authorized to approve deviations from and amendments to the standard bylaws, unless the deviation or amendment violates applicable law.

(c) Credit unions desiring to amend articles of incorporation or bylaws must submit a written application, in such form as the commissioner may prescribe. The application shall include the text of the amendment, the date that the board of directors adopted the amendment, a brief statement explaining the purpose of the amendment, information regarding the financial impact on the credit union if the amendment is approved, and any other information the commissioner may require to make a decision on the amendment.

(d) The commissioner shall determine whether or not an application is complete within thirty day of its receipt and provide written notice of the determination. If the application is deemed incomplete, the notice shall provide with reasonable specificity the deficiencies in the application.

(e) The commissioner does not need to provide notice as prescribed in §91.103 (relating to Public Notice of Department Decisions and §91.104 (relating to Public Notice and Comment on

Certain Applications) for applications that apply for standard optional field of membership provisions (1), (2), (3), and (4) as contained in the Standard Bylaws "Appendix A".

(f) A credit union's board of directors may amend its bylaws to adopt any standard bylaw without approval by the commissioner provided: (1) the wording of the amendment is identical to the Standard Bylaws; and (2) the credit union submits a completed, fully executed Certification of Resolution of Amendment to Credit Union Bylaws ("Certification") to the commissioner. The commissioner will promptly acknowledge receipt of the Certification. The amendment will be effective as of the date the commissioner acknowledges receipt of the Certification.

Source: The provisions of this §91.202 adopted to be effective May 11, 2000, 25 TexReg 3945; amended to be effective March 14, 2004, 29 TexReg 2305, amended to be effective November 16, 2005, 30 TexReg 7433; reviewed and amended to be effective November 8, 2009, 34 TexReg 7624; reviewed and readopted to be effective June 24, 2013, 38 TexReg 4392.

§91.203. Share and Deposit Insurance Requirements.

(a) All credit unions in the State of Texas shall obtain share insurance protection as provided in Chapter 95 of this title (pertaining to Share and Depositor Insurance Protection).

(b) With the approval of the commissioner, and if recognized by its insuring organization, a credit union may, from time to time as determined by its board of directors, issue uninsured membership shares which are subordinate to all other claims, including creditors, shareholders, and the insuring organization. The commissioner may approve the issuance of such accounts conditioned upon specific requirements being met.

Source: The provisions of this §91.203 adopted to be effective November 8, 2009, 34 TexReg 7624; reviewed and readopted to be effective June 24, 2013, 38 TexReg 4392.

§91.205. Credit Union Name.

(a) Unless a name change has been approved by the commissioner in accordance with the Act and these rules, a credit union shall do business under the name in which its certificate of incorporation was issued.

(b) Subject to the requirements of this rule, a credit union may adopt an assumed name. The credit union's official name, however, must be used in all official or legal communications or documents, which includes account and membership agreements, loan contracts, title documents(except for vehicle titles, which may also be under the credit union's assumed name), account statements, checks, drafts, and correspondence with the Department or the National Credit Union Administration. The assumed name may also be used in those materials so long as it is identified as such (e.g. Generic Credit Union dba GCU). Further, a credit union using an assumed name shall clearly disclose the credit union's official name when the assumed name is used on any signs, advertising, mailings, or similar materials.

(c) A credit union shall not use any name other than its official name until it has received a certificate of authority to use an assumed business name from the commissioner and has registered the designation with the Secretary of State and the appropriate county clerk.

(d) The commissioner shall not issue a certificate of authority to use an assumed business name if the designation might confuse or mislead the public, or if it is not readily distinguishable from, or is deceptively similar to, a name of another credit union lawfully doing business with an office in this state.

(e) Credit union officials are responsible for complying with state and federal law applicable to corporate and assumed names.

(f) Before using an assumed name, a credit union shall take reasonable steps to ensure that use of the name will not cause a reasonable person to believe the credit union's different facilities are different credit unions or to believe that shares or deposits in one facility are separately insured from those of another facility.

Source: The provisions of this §91.205 adopted to be effective May 11, 2000, 25 TexReg 3947; readopted to be effective December 18, 2003, 29 TexReg 235; amended to be effective November 16, 2005, 30 TexReg 7433; reviewed and amended to be effective November 8, 2009, 34 TexReg 7626; reviewed and readopted to be effective June 24, 2013, 38 TexReg 4392.

§91.206. Underserved Area Credit Unions – Secondary Capital Accounts.

A credit union that has been approved for a designation as a Underserved Area Credit Union pursuant to Section 122.014, Finance Code may issue secondary capital accounts to members or nonmembers of the credit union on the following conditions:

(1) Prior to offering secondary capital accounts, the credit union shall file an application for approval with the commissioner. The application shall be supported by a written plan for use of the funds in the secondary capital accounts and subsequent liquidity needs to meet repayment requirements upon maturity of the accounts, along with such other information and data as the commissioner may require.

(2) The secondary capital account must be established as an uninsured secondary capital account or other form of non-share account, and shall not be insured by the National Credit Union Share Insurance Fund or any governmental or private entity.

(3) The secondary capital account must mature no earlier than five years.

(4) The secondary capital account shall not be redeemable prior to maturity.

(5) The secondary capital account holder's claim against the credit union must be subordinated to all other claims, including those of shareholders, creditors and the credit union's insuring organization.

(6) Funds deposited into the secondary capital account, including interest accrued and paid into the capital account, must be available to cover the credit union's realized operating losses that exceed its net available reserves and undivided earnings (i.e., reserves and undivided earnings exclusive of allowance accounts for loan losses), and to the extent funds are so used, the credit union shall not restore or replenish the account. The credit union may, in lieu of paying interest into the secondary capital account, pay interest accrued on the secondary capital account directly to the secondary capital account holder or into a separate account from which the secondary capital account holder may make withdrawals. Losses realized shall be distributed pro-rata among all secondary capital accounts held by the credit union at the time the losses are realized.

(7) The secondary capital account may not be pledged or provided by the account holder as security on a loan or other obligation with the credit union or any other party.

(8) In the event of merger or other voluntary dissolution of the credit union, other than merger into another Underserved Area designated credit union, the secondary capital accounts will, to the extent they are not needed to cover losses at the time of merger or dissolution, be closed and paid out to the account holder.

(9) A secondary capital account contract agreement must be executed by an authorized representative of the account holder and the credit union. The agreement must set forth all of the terms and conditions of this section and contains a disclosure and acknowledgement by the account holder that the secondary capital account is not redeemable, will not be insured, may be used to cover operating losses of the credit union and not be replaced or replenished, and is subordinate to all other claims on the assets of the credit union, including claims of member shareholders, creditors and the credit union's insuring organization. All such contract agreements must be retained by the credit union for the term of the agreement.

(10) In the event the credit union is classified as "critically under capitalized", "marginally capitalized", "minimally capitalized", "moderately capitalized" or "uncapitalized", or the credit union has failed to undertake any mandatory supervisory action, the commissioner or any entity insuring the accounts of the credit union, may prohibit payment of principal, dividends or interest on the credit union's secondary capital accounts in accordance with powers and procedures granted under state or federal laws, as applicable. Any such unpaid dividends or interest shall continue to accrue under the terms of the account to the extent permitted by law.

(11) Credit unions with secondary capital accounts shall record the funds on its balance sheet in an equity account entitled "uninsured secondary capital accounts". The capital value of the accounts shall be kept in accordance with generally accepted accounting principles.

Source: The provisions of this §91.206 adopted to be effective March 14, 2004, 29 TexReg 2305; readopted to be effective June 20, 2005, 30 TexReg 3882; reviewed and amended to be effective November 8, 2009, 34 TexReg 7625; reviewed and readopted to be effective June 24, 2013, 38 TexReg 4392.

§91.208. Notice of Known or Suspected Criminal Violations.

(a) Each credit union shall exercise reasonable due diligence to discover, investigate, and report theft, embezzlement, and other types of criminal activity affecting the credit union. The credit union shall provide written notice to the Department within 30 calendar days for any of the following known or suspected criminal violations:

(1) Insider abuse involving any amount,

(2) Other transactions, including potential money laundering or violations of the Bank Secrecy Act, aggregating \$5,000 or more,

(3) Losses resulting from robbery or burglary.

(b) When applicable, a credit union may meet the reporting requirements of this section by providing the Department a copy of a Suspicious Activity Report prepared in accordance with the NCUA Rules and Regulations 12 C.F.R. §748.1(c). The timeframe for reporting the activity to the Department in this manner may be extended up to 60 days when authorized by the regulation.

Source: The provisions of this §91.208 adopted to be effective July 12, 2009, 34 TexReg 4512; reviewed and readopted to be effective June 24, 2013, 38 TexReg 4392.

§91.209. Call Reports and Other Information Requests.

(a) Each credit union shall file a quarterly financial and statistical report with the Department no later than 22 days after the end of each calendar quarter. Unless the commissioner orders otherwise, call reports (Form 5300) timely filed with the National Credit Union Administration will comply with the reporting requirements of this subsection. If a credit union fails to file the quarterly report on time, the commissioner may charge the credit union a penalty of \$100 for each day or fraction of a day the report is in arrears.

(b) Any credit union that makes, files, or submits a false or misleading financial and statistical report required by subsection (a) of this section, is subject to an enforcement action pursuant to the Finance Code, Chapter 122, Subchapter F.

(c) A credit union shall prepare and forward to the Department any supplemental report or other document that the Commissioner may, from time to time require, and must comply with all instructions relating to completing and submitting the supplemental report or document. For the purposes of this section, the Commissioner's request may be directed to all credit unions or to a group of credit unions affected by the same or similar issue, shall be in writing, and must specifically advise the credit union that the provisions of this section apply to the request. If a credit union fails to file a supplemental report or provide a requested document within the timeframe specified in the instruction, after notice of non-receipt, the commissioner may levy a penalty \$50 for each day or fraction of a day such report or document is in arrears.

(d) If a credit union fails to file any report or provide the requested information within the specified time, the commissioner, or any person designated by the commissioner, may examine the books, accounts, and records of the credit union, prepare the report or gather the information, and charge the credit union a supplemental examination fee as prescribed in §97.113 of this title (relating to Fees and Charges). The credit union shall pay the fee to the department within thirty days of the assessment.

(e) Any penalty levied under this section shall be paid within 30 days of the levy. Penalties received after the due date will be subject to a monthly 10% fee unless waived by the commissioner for good cause shown.

(f) The Department may, in lieu of imposing the penalty authorized by subsection (a) of this section, order a credit union to pay an amount, fixed by the Commissioner, that is minimally sufficient to negate the credit union being assessed a civil money penalty under Section 202 of the Federal Credit Union Act (12 U.S.C. § 1782) for late or false/misleading filing of a quarterly call report (Form 5300). This penalty shall be abated in part if the National Credit Union Administration exercises its authority to impose a civil money penalty for the same late or false/misleading filing. The penalty, however, shall not be decreased below the amount authorized to be levied under subsection (a).

Source: The provisions of this §91.209 adopted to be effective August 9, 1998, 23 TexReg 7767; amended to be effective April 7, 2002, 27 TexReg 2434; amended to be effective November 16, 2005, 30 TexReg 7434; amended to be effective July 12, 2009, 34 TexReg 4512; reviewed and amended to be effective July 11, 2010, 35 TexReg 1898; reviewed and readopted to be effective June 24, 2013, 38 TexReg 4392; reviewed and amended to be effective November 9, 2014, 39 TexReg 8572.

§91.210. Foreign Credit Unions.

(a) Definitions. (1) Foreign credit union -- a credit union that is not chartered or otherwise organized under the laws of this state or the United States. (2) Local service area – an area that is within reasonable proximity of a foreign credit union's office, allowing members to be realistically served from that office.

(b) Application. Prior to commencing business in this state, a foreign credit union is required to file a written application supported by such information and data as the commissioner may require to make the findings necessary for the issuance of a certificate of authority pursuant to Finance Code §122.013.

(c) Approval. The application shall not be approved unless the commissioner finds that the applicant:

- (1) is acting in good faith and the application does not contain a material misrepresentation;
- (2) is financially sound and has no supervisory problems;

- (3) will conduct its operations in the State of Texas in accordance with the intent and purpose of the Act and Commission rules;
 - (4) has provided evidence of compliance with the Finance Code, §201.102 concerning registering with the secretary of state to do business in Texas;
 - (5) has share and deposit insurance equivalent to that required for credit unions organized under the Act;
 - (6) has paid a permit fee of \$500 for each and every branch office proposed to be established in the State of Texas;
 - (7) has fidelity bond coverage satisfactory to the commissioner; and
 - (8) has provided all other information the commissioner may require.
- (d) Compliance with Texas law. A credit union chartered by another state shall comply with all applicable Texas laws, including those laws regarding home equity lending, loan interest rates, and consumer protection, to the same extent that those laws apply to a Texas credit union.
- (e) Federal treaties. If a treaty or agreement exists between the United States and a foreign country which requires the commissioner to permit a foreign credit union to operate a branch in this state and the commissioner determines that the applicant has substantially the same characteristics as a credit union organized under the Act, then the applicant must comply with all provisions of the Act and commission rules, unless otherwise permitted by this section.
- (f) Financial statements. Each foreign credit union that is operating a branch office within the State of Texas shall furnish to the commissioner a copy of its annual audited financial statements, if any, or other statements of financial conditions as the commissioner may require.
- (g) Examinations. The commissioner is authorized to examine the books and records of any branch office operated in the State of Texas by a foreign credit union. The costs of examination, as prescribed in §97.113(d) of this title (relating to Supplemental Examinations), must be fully borne by the foreign credit union. The supplemental examination fee may be waived or reduced at the discretion of the commissioner.
- (h) Agreements with other regulators. The commissioner shall enter into supervisory agreements with the foreign credit union regulators and, as necessary, the foreign credit unions, as authorized by Finance Code §15.411, to resolve any conflict of laws and to specify the manner in which the examination, supervision, and application processes will be coordinated with the regulators. The agreement may also prescribe the applicable laws governing the powers and authorities of the foreign branch and may address, but are not limited to, corporate governance and operational matters. The agreement, however, shall not limit the jurisdiction or authority of the commissioner to examine, supervise and regulate a foreign credit union that is operating or seeking to operate a branch in this state or to take any action or issue any order with respect to that branch.
- (i) Field of membership. A certificate of authority to do business in this state is specifically issued to allow a foreign credit union to provide services to its existing field of membership. However, the commissioner may approve a foreign credit union's request to expand its field of membership to include groups with a community of interest that are within the foreign credit union's local service area if it is organized in a state or country that allows a credit union organized under the act to expand its field of membership to at least the same extent. After being satisfied that the group is within the foreign credit union local service area, the commissioner shall use the same criteria and the same procedures as used when a Texas credit union seeks to expand its field of membership. The commissioner shall make a reasonable effort to coordinate this determination with the foreign credit union's primary regulator to assure that each agency's material interests, authorities and responsibilities are fulfilled.
- (j) Location of Group. For the purposes of a field of membership expansion, the group as a whole will be considered to be within the local service area when:

- (1) A majority of the persons in the group live, work, or gather regularly within the local service area;
- (2) The group's headquarters is located within the local service area; or
- (3) The group's "paid from" or "supervised from" location is within the local service area.

(k) Prohibition against share/deposit production offices. A foreign credit union may not use its certificate of authority primarily for the purpose of deposit production. The foreign credit union is expected to reasonably help meet the credit needs of the groups in Texas that are served by the credit union. If the Commissioner determines that the foreign credit union's level of lending in Texas relative to the deposits from Texas members is less than half the average of total loans relative to total deposits for all credit unions domiciled in Texas, the credit union will not be permitted to further expand its field of membership nor open additional offices in Texas.

(l) Enforcement; penalty. The commissioner has grounds to issue a cease and desist order to an officer, employee, director, and/or the foreign credit union itself, if the commissioner determines from examination or other credible evidence that the credit union has violated or is violating any applicable Texas law or rules of the commission. If the foreign credit union does not comply with an order, the commissioner may assess an administrative penalty as authorized by §122.260, Finance Code, as well as suspend or revoke the certificate of authority.

Source: The provisions of this §91.210 adopted to be effective February 8, 2001, 26 TexReg 1131; amended to be effective June 8, 2003, 28 TexReg 4410; readopted to be effective December 18, 2003, 29 TexReg 235; readopted to be effective June 20, 2005, 30 TexReg 3882; reviewed and readopted to be effective June 22, 2009, 34 TexReg 4549; reviewed and readopted to be effective June 24, 2013, 38 TexReg 4392.

Subchapter C. Members

§91.301. Field of Membership.

(a) General. Membership in a credit union shall be limited to one or more groups, each of which (the Group) has its own community of interest and is within the credit union's local service area. In this section, local service area shall mean an area that is within reasonable proximity of a credit union's office, and allows members to be realistically served from that office. For purposes of field of membership, the Group as a whole will be considered to be within the local service area when:

- (1) A majority of the persons in the Group live, work, or gather regularly within the local service area;
- (2) The Group's headquarters is located within the local service area; or
- (3) The persons in the Group are "paid from" or "supervised from" an office or facility located within the local service area.

The commissioner may impose a geographical limitation on any Group if the commissioner reasonably determines that the applicant credit union does not have the facilities and staffing to serve a larger group or there are other operational or management concerns.

(b) Other persons eligible for membership. A number of persons by virtue of their close relationship to a Group may be included in the field of membership at the option of the applicant credit union. These include:

- (1) members of the family or household of a member of the Group;
- (2) volunteers performing services for or on behalf of the Group;
- (3) organizations owned or controlled by a member or members of the Group, and any employees and members of those organizations;
- (4) spouses of persons who died while in the Group;
- (5) employees of the credit union;

(6) subsidiaries of the credit union and their employees; and businesses and other organizations whose employees or members are within the Group.

(c) Multiple-groups.

(1) The commissioner may approve a credit union's original articles of incorporation and bylaws or a request for approval of an amendment to a credit union's bylaws to serve one or more communities of interest or a combination of types of communities of interest.

(2) In addition to general requirements, special requirements pertaining to multiple-Group applications may be required before the commissioner will grant such a certificate or approve such an amendment.

(A) Each Group to be included in the proposed field of membership of the credit union must have its own community of interest.

(B) Each associational or occupational Group must individually request inclusion in the proposed credit union's field of membership.

(d) Overlap protection.

(1) The commissioner will only consider the financial effect of an overlap proposed by an application to expand a credit union's field of membership or when a charter application proposes an overlap for a Group of 3,000 members or more.

(2) The commissioner will weigh the information in support of the application and any information provided by a protesting or affected credit union. If the applicant has the financial capacity to serve the financial needs of the proposed members, demonstrates economic feasibility, complies with the requirements of this rule, and no protestant reasonably establishes a basis for denying the request, it shall be approved.

(3) If a finding is made that overlap protection is warranted, the commissioner shall reject the application or require the applicant to limit or eliminate the overlap by adding exclusionary language to the text of the amendment, e.g., "excluding persons eligible for primary membership in any occupation or association based credit union that has an office within a specified proximity of the applicant credit union at the time membership is sought." Exclusionary clauses are rarely appropriate for inclusion on a geographic community of interest.

(4) Generally, if the overlapped credit union does not submit a notice of protest form, and the department determines that there is no safety and soundness problem, an overlap will be permitted. If, however, a notice of protest is filed, the commissioner will consider the following in performing an overlap analysis:

(A) whether the overlap is incidental in nature, i.e., the group(s) in question is so small as to have no material effect on the overlapped credit union;

(B) whether there is limited participation by members of the group(s) in the overlapped credit union after the expiration of a reasonable period of time;

(C) whether the overlapped credit union provides requested service;

(D) the financial effect on the overlapped credit union;

(E) the desires of the group(s); and

(F) the best interests of the affected group(s) and the credit union members involved.

(5) Where a sponsor organization expands its operations internally, by acquisition or otherwise, the credit union may serve these new entrants to its field of membership if they are part of the community of interest described in the credit union's bylaws. Where acquisitions are made which add a new subsidiary or affiliate, the group cannot be served until the entity is included in the field of membership through the application process.

(6) Credit unions affected by the organizational restructuring or merger of a group within its field of membership must apply for a modification of their fields of membership to reflect the group to be served.

(e) Underserved communities.

(1) All credit unions may include underserved areas in their fields of membership, without regard to location. More than one credit union can serve the same underserved area.

(2) Once an underserved area has been added to a credit union's field of membership, the credit union must establish and maintain an office or facility in the community. For the purposes of this subsection, service facility is defined as a place where shares are accepted for members' accounts, loan applications are accepted and loan proceeds are disbursed. This definition includes a credit union owned branch, a shared branch, a mobile branch, and an office operated on a regularly scheduled weekly basis, or a credit union owned electronic facility that meets, at a minimum, these requirements. This definition does not include an ATM or a credit union's Internet website.

(3) A credit union desiring to add an underserved area must document that the community meets the definition. In addition, the credit union must develop a business plan specifying how it will serve the community. The business plan, at a minimum, must identify the credit and depository needs of the community and detail how the credit union plans to serve those needs. The credit union will be expected to regularly review the business plan to determine if the community is being adequately served. The commissioner may require periodic service status reports from a credit union pertaining to the underserved area to ensure that the needs of the area are being met, as well as requiring such reports before allowing a credit union to add an additional underserved area.

(f) Parity with Federal Credit Unions.

Credit unions will be allowed to have, at a minimum, at least as much flexibility as federal credit unions have in field of membership regulation. If a credit union proposes a type of Group that the National Credit Union Administration has previously determined meets the Federal requirements, the commissioner shall approve the application unless the commissioner finds that the credit union has not demonstrated sufficient managerial and financial capacity to safely and soundly serve such expanded membership.

(g) Application.

In order to request the approval of the commissioner to add a Group to its bylaws, a credit union must submit a written application to the Department. The applicant credit union shall have the burden to show to the Department such facts and data that support the requirements and considerations in this rule. In reviewing such application, the commissioner shall consider:

(1) Whether the Group has adequate unifying characteristics or a mutual interest such that the safety and soundness of the credit union is maintained;

(2) The ability of credit unions to maintain parity and to compete fairly with their counterparts;

(3) Service by the credit union that is responsive to the convenience and needs of prospective members;

(4) Protection for the interest of current and future members of the credit union; and

(5) The encouragement of economic progress in this State by allowing opportunity to expand services and facilities.

Source: The provisions of this §91.301 adopted to be effective February 11, 2001, 26 TexReg 1132; adopted to be effective January 7, 2004, 29 TexReg 82; readopted to be effective June 22, 2004, 29 TexReg 6423; reviewed and amended to be effective July 13, 2008, 33 TexReg 5294; reviewed and readopted to be effective February 17, 2012, 37 TexReg 1518.

§91.302. Election or Other Membership Vote By Electronic Balloting, Early Voting, Absentee Voting, or Mail Balloting.

- (a) All credit unions should actively promote member participation in elections and other membership votes as long as the costs are reasonable and the integrity of the vote is not compromised. Any credit union instituting alternative procedures or systems to benefit members who find it difficult or inconvenient to vote at annual or special meetings must ensure that the alternative is thoroughly explained and publicized so that all members will be able to take advantage of those procedures or systems.
- (b) The board of directors, before holding an election or other membership vote that uses electronic balloting, early voting, absentee voting, or mail balloting, shall establish written election rules, including procedures to: control, tabulate and retain ballots; identify invalid ballots; and handle disputed election results and tie votes.
- (c) Any elections or other membership vote using electronic balloting, early voting, absentee voting, or mail balloting are subject to the following conditions:
 - (1) The election tellers shall be appointed by the board of directors;
 - (2) At least 30 days prior to the annual or special meeting, the board of directors will cause either a printed ballot or notice of a ballot, along with appropriate instructions, to be mailed to all members eligible to vote;
 - (3) Completed electronic or mail ballots cast during early or absentee voting must be received prior to convening the annual or special meeting;
 - (4) The votes will be tallied by the tellers and the results of the vote will be made public at the annual or special meeting.
- (d) In the event of a malfunction of the electronic balloting system, the board of directors may in its discretion order elections or other vote to be held by mail ballot only. The board may make reasonable adjustments to the voting time frames in subsection (c) of this section, or postpone the annual or special meeting if necessary, to complete the elections prior to the annual or special meeting.

Source: The provisions of this §91.302 adopted to be effective November 13, 2000, 25 TexReg 11278; amended to be effective November 14, 2004, 29 TexReg 10253, reviewed and amended to be effective July 13, 2008, 33 TexReg 5295; reviewed and readopted to be effective February 17, 2012, 37 TexReg 1518.

§91.310. Annual Report to Membership.

- (a) Every credit union shall provide to its membership an annual written report, as prescribed below. The report must be updated before the credit union's annual meeting and shall be available on the credit union's website throughout the year. Any credit union that does not maintain a website shall distribute the report at its annual meeting and must notify members at least annually that copies of the report are available upon request.
- (b) The annual report shall cover the credit union's operations during the preceding calendar year and shall contain, at a minimum, the following information:
 - (1) the names and dates of expiration of the terms of office for each director on the credit union's board;
 - (2) the names of any honorary or advisory directors appointed by the board;

- (3) a brief description of any changes, since the last report, to the credit union's:
 - A. senior management staff;
 - B. bylaws or articles of incorporation;
 - C. financial condition and operating results;
 - D. membership size and services offered; and
- (4) the credit union's yearend balance sheet and income/expense statement.
- (c) For purposes of this rule, senior management staff shall include the chief executive officer, any assistant chief executive officers, including any vice-presidents and above, and the chief financial officer.

Source: The provisions of this §91.310 adopted to be effective November 8, 2009, 34 TexReg 7625; reviewed and readopted to be effective February 17, 2012, 37 TexReg 1518.

§91.315. Members' Access to Credit Union Documents.

- (a) Required Notice. Every credit union shall provide notice to its membership of the availability of certain documents related to the credit union's finances and management.
- (b) Delivery of Required Notice. A credit union shall post a copy of the required notice on its website throughout the year. The notice required by this section shall be published in the credit union's newsletter twice a year. If a credit union does not maintain a website and distribute a newsletter at least semiannually, the credit union shall provide the notice at least semiannually with each member's account statement.
- (c) Documents Available to Members. Upon request, a member is entitled to review or receive a copy of the most recent version of the following credit union documents:
 - 1. balance sheet and income statement (the non-confidential pages of the latest call report may be given to meet this requirement);
 - 2. a summary of the most recent annual audit completed in accordance with §91.516 of this chapter (relating to Audits and Verifications);
 - 3. written board policy regarding access to the articles of incorporation, bylaws, rules, guidelines, board policies, and copies thereof; and
 - 4. Internal Revenue Service Form 990.

Source: The provisions of this §91.315 adopted to be effective November 8, 2009, 34 TexReg 7627; reviewed and readopted to be effective February 17, 2012, 37 TexReg 1518.

Subchapter D. Powers of Credit Unions

§91.401. Purchase, Lease, or Sale of Fixed Assets.

- (a) Definitions. The following words and terms, when used in this section, shall have the following meanings, unless the context clearly indicates otherwise.
 - (1) Fixed Assets--real property, premises, furniture, fixtures and equipment.
 - (2) Furniture, fixtures, and equipment--all office furnishings, office machines, computer hardware and software, automated terminals, and heating and cooling equipment, including capitalized leases of such items.
 - (3) Immediate family member--a spouse or other family member living in the same household.

(4) Premises--any office, service center, parking lot, or other facility where the credit union transacts or intends to transact business. It also includes capitalized leases, leasehold improvements, and remodeling costs to existing premises.

(5) Real property--land and anything growing on, attached to, or erected on it that is acquired and intended primarily for the credit union's own use in conducting business. It does not include any real property which may be conveyed to the credit union in satisfaction of debts previously contracted in the course of business, nor any real estate that the credit union purchases at sale on judgments, decrees, mortgage or deed of trust foreclosures under a security agreement held by the credit union.

(6) Senior Management Employee--the chief executive officer, any assistant chief executive officers (e.g. vice presidents and above) and the chief financial officer.

(b) Fixed Asset Investment Limitations.

A credit union may purchase fixed assets or enter into a contract for the purchase or lease of fixed assets primarily for its own use in conducting business if the aggregate of all such investments does not exceed the lesser of 70% of the credit union's net worth or six percent of total assets.

(c) Restrictions.

(1) A credit union shall not purchase real estate (land or buildings) for the principal purpose of engaging in real estate rentals or speculation.

(2) A credit union bidding at a foreclosure or similar sale shall not bid a larger amount than is necessary to satisfy the debts and costs owed the credit union.

(d) Transactions with insiders.

Without the prior approval of a disinterested majority of the board of directors recorded in the minutes or, if a disinterested majority cannot be obtained, the prior written approval of the commissioner, a credit union may not directly or indirectly:

(1) sell or lease an asset of the credit union to a director, committee member, or senior management employee, or immediate family members of such individual; or

(2) purchase or lease an asset in which a director, committee member, senior management employee, or immediate family members of such individual has an interest.

(e) Use requirement.

If real property or leasehold interest is acquired and intended, in good faith, for use in future expansion, the credit union must partially satisfy the "primarily for its own use in conducting business" requirement within five years after the credit union makes the investment.

(f) Waiver.

The commissioner may, upon written application, waive or modify any of the limitations or restrictions placed on the investment of fixed assets.

(g) Written application.

A credit union requesting a waiver or modification of the fixed asset investment limits, shall submit statements and reports required by the commissioner, including but not limited to:

(1) a description of the proposal's cost, usage, location, and method of financing;

(2) a statement of the business reasons for making the investment and the economic advantages and disadvantages relating to the proposed investment;

(3) evidence in the form of financial statements with supporting assumptions that the increase in operating expenses caused by the project can be supported after accounting for the current level of expenses and dividend commitments; and

- (4) the credit union's latest balance sheet, income statement, loan delinquency report, and a budget reflecting the new fixed asset.

Source: The provisions of this §91.401 adopted to be effective March 14, 2004, 29 TexReg 2306; readopted to be effective October 27, 2005, 30 TexReg 7505; reviewed and amended to be effective March 14, 2010, 35 TexReg 1978; reviewed and amended to be effective March 16, 2014, 39 TexReg 1703.

§91.402. Insurance for Members.

(a) Authority. A credit union may make insurance products available to its members, including insurance products at the individual member's expense, subject to the following conditions:

- (1) Except as provided in paragraphs (2) and (3) of this subsection, the purchase of any type of insurance coverage by a member must be voluntary, and a copy of the signed and dated written election to purchase the insurance must be on file at the credit union.

- (2) Insurance may be required on a loan if the coverage and the charges for the insurance bear a reasonable relationship to:

- (A) the value of the collateral;
- (B) the existing hazards or risk of loss, damage, or destruction; and
- (C) the amount, term, and conditions of the loan.

- (3) if the insurance is a condition of a loan, the credit union shall give the member written notice that clearly and conspicuously states;

- (A) that insurance is required in connection with the loan; and
- (B) that the member may purchase or provide the insurance from a carrier of the member's choice, or the member [who is borrowing] may assign any existing insurance coverage.

- (4) An officer, director, employee, or committee member of a credit union may not accept anything of value from an insurance agent, insurance company, or other insurance provider offered to induce the credit union to sell or offer to sell insurance or other related products or services to the members of the credit union.

- (5) If a credit union replaces an existing loan or renews a loan and sells the member new credit life or disability insurance, the credit union shall cancel the prior insurance and provide the member with a refund or credit of the unearned premium or identifiable charge before selling the new insurance to the member.

- (6) The person selling or offering for sale any insurance product in any part of a credit union's office or on its behalf must be at all times appropriately qualified and licensed under applicable State insurance licensing standards with regard to the specific products being sold or recommended.

(b) Unsafe and Unsound Practice. It is an unsafe and unsound practice for any director, officer, or employee of a credit union, who is involved in the sale of insurance products to members, to take advantage of that business opportunity for personal profit. Recommendations to members to buy insurance should be based on the benefits of the policy, not the compensation received from the sale.

(c) Prohibited Practices. A director, officer, or employee of a credit union may not engage in any practice that would lead a member to believe that a loan or extension of credit is conditional upon either:

- (1) The purchase of an insurance product from the credit union or any of its affiliates; or
- (2) An agreement by the member not to obtain, or a prohibition on the member from obtaining, an insurance product from an unaffiliated entity.

Source: The provisions of this §91.402 adopted to be effective March 14, 2004, 29 TexReg 2306; amended to be effective March 13, 2006, 31 TexReg 1647; reviewed and amended to be effective March 14, 2010, 35 TexReg 1978; reviewed and readopted to be effective October 21, 2013; 38 TexReg 7735.

§91.403. Debt Cancellation Products; Federal Parity.

(a) Authority. Provided it complies with this section, a credit union may offer any debt cancellation product a federal credit union is permitted to offer. For the purposes of this section, a debt cancellation product is a two-party agreement between the credit union and the member under which the credit union agrees to waive, suspend, defer, or cancel all or part of a member's obligation to pay an indebtedness under a lease, loan, or other extension of credit upon the occurrence of a specified event. Debt cancellation products are considered loan products, not insurance products and, consequently, are not regulated by the Texas Department of Insurance. The credit union may offer debt cancellation products for a fee. If the debt cancellation product is offered for a fee basis, then the member's participation must be optional.

(b) Anti-tying and Refund Rules. For any debt cancellation product offered by a credit union:

(1) The credit union may not extend credit nor alter the terms or conditions of an extension of credit conditioned upon the member entering into a debt cancellation product with the credit union; and

(2) The debt cancellation product must provide for refunding or crediting to the member any unearned fees resulting from termination of the member's participation in the product, whether by prepayment of the extension of credit or otherwise. Any unearned fees must be calculated using a method that produces a result at least as favorable to the member as the actuarial method. Before the member purchases the debt cancellation product, the credit union must state in writing that the purchase of the debt cancellation product is optional, the conditions for and method of calculating any refund of the debt cancellation fee, including when fees are considered earned by the credit union, and that the member should carefully review all of the terms and conditions of the debt cancellation agreement prior to signing the agreement.

(c) Notice to Department. A credit union must notify the commissioner in writing of its intent to offer any type of debt cancellation product at least 30 days prior to the product being offered to members. The notice must contain a statement describing the type(s) of debt cancellation product(s) that the credit union will offer to its membership.

(d) Risk Management and Controls. Before offering any debt cancellation products, each credit union's board of directors, shall adopt written policies that establish and maintain effective risk management and control processes for these products. Such processes include appropriate recognition and financial reporting of income, expenses, assets and liabilities, and appropriate treatment of all expected and unexpected losses associated with the products. A credit union should also assess the adequacy of its internal control and risk mitigation activities in view of the nature and scope of its debt cancellation program. In addition, the policies shall establish reasonable fees, if any, that will be charged, the appropriate disclosures that will be given, and the claims processing procedures that will be utilized.

(e) For purposes of this section “actuarial method” means the method of allocating payments made on a debt between the amount financed and the finance charge pursuant to which a payment is applied first to the accumulated finance charge and any remainder is subtracted from, or any deficiency is added to, the unpaid balance of the amount financed.

Source: The provisions of this §91.403 adopted to be effective May 13, 1999, 24 TexReg 3473; readopted to be effective August 2, 2002, 27 TexReg 6874; amended to be effective June 8, 2003, 28 TexReg 4411; amended to be effective March 6, 2005, 30 TexReg 1064; readopted to be effective October 27, 2005, 30 TexReg 7505; reviewed and amended to be effective March 14, 2010, 35 TexReg 1979; reviewed and readopted to be effective October 21, 2013; 38 TexReg 7735.

§91.404. Purchasing Assets and Assuming Deposits and Liabilities of another Financial Institution.

(a) Scope. A credit union must obtain the approval of the Department before purchasing all or substantially all of the assets and/or assuming certain deposits and other liabilities of another financial institution. This section does not apply to purchases of assets that occur as a result of a credit union’s ordinary and ongoing business of acquiring obligations of its members.

(b) Approval Requirement.

(1) A credit union must file an application and obtain the written approval of the Department before entering into any type of purchase and assumption agreement.

(2) In determining whether to approve an application under this section, the Department will consider the purpose of the transaction, its impact on the safety and soundness of the credit union, and any effect on the credit union’s existing members. The Department may deny the application if the transaction would have a negative effect on any of those factors.

Source: The provisions of this §91.404 adopted to be effective March 14, 2010, 35 TexReg 1980; reviewed and readopted to be effective October 21, 2013; 38 TexReg 7735.

§91.405. Records Retention and Preservation.

(a) General. Every credit union shall keep records of its transactions in sufficient detail to permit examination, audit and verification of financial statements, schedules, and reports it is required to file with the Department or which it issues to its members. Credit union accounts, books and other records shall be maintained in appropriate form and for the minimum periods prescribed by this section. The retention period for each record starts from the last entry or final action date and not from the inception of the record.

(b) Manner of maintenance. Records may be maintained in whatever manner, or format a credit union deems appropriate; provided, however, the records must clearly and accurately reflect the information required, provide an adequate basis for the examination and audit of the information, and be retrievable easily and in a readable and useable format. A credit union may contract with third party service providers to maintain records required under this part.

(c) Permanent retention. It is recommended that the following records be retained permanently in their original form:

(1) charter, bylaws, articles of incorporation, and amendments thereto; and

(2) currently effective certificates or licenses to operate under programs of various government agencies.

(d) Ten year retention. Records which are significant to the continuing operation of the credit union must be retained until the expiration of ten years following the making of the record or the last entry thereon or the expiration of the applicable statute of limitations, whichever is later. The records are:

- (1) minutes of meetings of the members, the board of directors, and board committees;
- (2) journal and cash record;
- (3) general ledger and subsidiary ledgers;
- (4) for active accounts, one copy of each individual share and loan ledger or its equivalent;
- (5) comprehensive annual audit reports including evidence of account verification; and
- (6) examination reports and official correspondence from the department or any other government agency acting in a regulatory capacity.

(e) Five year retention. The following records must be retained until the expiration of five years following the making of the record or the last entry thereon or the expiration of the applicable statute of limitations, whichever is later:

- (1) records related to closed accounts including membership applications, joint membership agreements, payable on death agreements, signature cards, share draft agreements, and any other account agreements; loan agreements; and
- (2) for an active account, any account agreement which is no longer in effect.

(f) Other records. Subject to applicable law, any other type of document not specifically delineated in this rule may be destroyed after five years or upon expiration of an applicable statute of limitations, whichever is longer.

(g) Data processing records. Provisions of this section apply to records produced by a data processing system. Output reports that substitute for standard conventional records or that provide the only support for entries in the journal and cash record should be retained for the minimum period specified in this rule.

(h) Protection and storage of records. A credit union shall provide reasonable protection from damage by fire, flood and other hazards for records required by this section to be preserved and, in selection of storage space, safeguard such records from unnecessary exposure to deterioration from excessive humidity, dryness, or lack of proper ventilation.

(i) Records destruction. The board of directors shall adopt a written policy authorizing the destruction of specified records on a continuing basis upon expiration of specified retention periods.

(j) Records preservation. All state chartered credit unions are required to maintain a records preservation program to identify and store vital records in order that they may be reconstructed in the event the credit union's records are destroyed. Storage of vital records is the responsibility of the board but may be delegated to the responsible person(s). A vital records storage center should be established at some location that is far enough from the credit union office to avoid the simultaneous loss of both sets of records in the event of a disaster. Records must be stored every calendar quarter within 30 days following quarter-end at which time records stored for the previous quarter may be destroyed. Stored records may be in any form which can be used to reconstruct the credit union's records. This includes machine copies, microfilm, or any other usable copy. The records to be stored shall be for the most recent month-end and are:

- (1) a list of all shares and/or deposits and loan balances for each member's account. Each balance on the list is to be identified by an account name or number. Multiple balances of either shares or loans to one account shall be listed separately;

(2) a financial statement/statement of financial condition which lists all the credit union's assets and liability accounts;

(3) a listing of the credit union's banks, insurance policies and investments. This information may be marked "permanent" and updated only when changes are made.

(k) Records preservation compliance. Credit unions that have some or all of their records maintained by an off-site data processor are considered to be in compliance so long as the processor meets the minimum requirements of this section. Credit unions that have in-house capabilities shall make the necessary provisions to safeguard the backup of data on a continuing basis.

(l) Reproduction of records. A credit union shall furnish promptly, at its own expense, legible, true and complete copies of any record required to be kept by this section as requested by the department.

Source: The provisions of this §91.405 adopted to be effective May 11, 2000, 25 TexReg 3950; readopted to be effective December 18, 2003, 29 TexReg 235, amended to be effective March 13, 2006, 31 TexReg 1647; amended to be effective November 16, 2008, 33 TexReg 9073; reviewed and readopted to be effective October 19, 2009, 34 TexReg 7657; reviewed and amended to be effective March 16, 2014, 39 TexReg 1704.

§91.406. Credit Union Service Contracts.

A credit union may enter into contractual agreements with one or more credit unions or other organizations for the purpose of engaging in authorized activities that relate to electronic data processing, electronic fund transfers, or other member services on behalf of the credit union. Agreements must be in writing and shall advise all parties that the activities and services may be subject to commission rules and examination by the commissioner to the extent permitted by law.

Source: The provisions of this §91.406 adopted to be effective March 14, 2004, 29 TexReg 2635; readopted to be effective October 27, 2005, 30 TexReg 7505; reviewed and readopted to be effective October 19, 2009 34 TexReg 7657; reviewed and readopted to be effective October 21, 2013, 38 TexReg 7735.

§91.407. Electronic Notification.

A credit union may, in accordance with written board policy, satisfy any "written" member notification requirement of the Act, commission rules, or the credit union's bylaws by electronic means provided:

(1) the member agrees in writing or electronically to use electronic instead of hard-copy notifications;

(2) the member has the ability to print or download the notification;

(3) evidence of the electronic notification is retained in accordance with §91.405 (relating to Records Retention); and

(4) both the credit union and the member have the capacity to receive electronic messages.

Source: The provisions of this §91.407 adopted to be effective March 14, 2004, 29 TexReg 2636; readopted to be effective October 27, 2005, 30 TexReg 7505; reviewed and readopted to be effective October 19, 2009, 34 TexReg 7657; reviewed and readopted to be effective October 21, 2013, 38 TexReg 7735.

§91.408. User Fee for Shared Electronic Terminal.

A credit union that owns an electronic terminal that is connected to a shared network may impose a fee on a non-member for the use of that terminal if imposition of the fee is disclosed in compliance with applicable federal law.

Source: The provisions of this §91.408 adopted to be effective March 14, 2004, 29 TexReg 2636, readopted to be effective October 27, 2005, 30 TexReg 7505; reviewed and readopted to be effective October 19, 2009, 34 TexReg 7657; reviewed and readopted to be effective October 21, 2013; 38 TexReg 7735.

Subchapter E. Direction of Affairs

§91.501. Director Eligibility and Disqualification.

(a) Board Representation. The credit union's bylaws shall govern board selection and election procedures. No credit union shall adopt or amend its articles of incorporation or bylaws to designate or reserve one or more places on the board of directors for any classification that results in a restriction or infringement upon the equal rights of all members to vote for, or seek any position on, the board of directors of the credit union. In addition, each credit union shall adopt policies and procedures that are designed to assure that the elections of directors are conducted in an impartial manner.

(b) Qualifications. A member may not serve as director of a credit union if that member:

(1) has been convicted of any criminal offense involving dishonesty or breach of trust;

(2) is not eligible for coverage by the blanket bond required under the provisions of the Act, or §91.510 of this title (relating to Bond and Insurance Requirements);

(3) has had a final judgment entered against him/her in a civil action upon the grounds of fraud, deceit, or misrepresentation;

(4) has a payment on a voluntary obligation to the credit union that is more than 90 days delinquent or has otherwise caused the credit union to suffer a financial loss;

(5) has been removed from office by any regulatory or government agency as an officer, agent, employee, consultant or representative of any financial institution;

(6) has been personally made subject to an operating directive for cause while serving as an officer, director, or senior executive management person of a financial institution; or has caused or participated in a prohibited activity or an unsafe or unsound condition at a financial institution which resulted in the suspension or revocation of the financial institution's certificate of incorporation, or authority or license to do business;

(7) has failed to complete and return a director application in accordance with subsection (c) of this section; or

(8) refuses to take and subscribe to the prescribed oath or affirmation of office.

(c) Director application. Any member nominated for, or seeking election to, the board of directors shall submit a written application in such form as the credit union may prescribe. The application shall be submitted either to the nominating committee prior to its selection of nominees; or to the board chair within 30 days following the election of a member who was not nominated by the nominating committee or who was appointed by the board to fill a vacancy. The applications of the elected/appointed directors shall be incorporated into and made part of the minutes of the first board meeting following the election/appointment of those directors. Applications of unsuccessful candidates shall be destroyed or returned upon request. The commissioner may review and require that changes be made to any application form, which is deemed inadequate or unfairly discriminates against certain classes of members.

(d) Director continuing education. Directors must develop and maintain a fundamental, ongoing knowledge of the regulations and issues affecting credit union operations to assure a safe and sound institution. A credit union shall, by written board policy, establish appropriate continuing education requirements and provide sufficient resources for directors to achieve and maintain professional competence. The policy shall include a provision requiring the credit union to prepare, on an annual basis, a continuing education plan for its Directors that is appropriate to the size and financial condition of the credit union and the nature and scope of its operations.

(e) Prohibited conduct. A director shall not:

(1) Divulge or make use of, except in the performance of office duties, any fact, information, or document not generally available to the membership that is acquired by virtue of serving on the board of the credit union.

(2) Use the director's position to obtain or attempt to obtain special advantage or favoritism for the director, any relative of the director, or any person residing in the director's household.

(3) Accept, directly or indirectly, any gift, fee, or other present that is offered or could be reasonably be viewed as being offered to influence official action or to obtain information that the director has access to by reason of serving on the board of the credit union.

(f) Recall of director(s).

(1) Petition. Under procedures set out in the credit union's bylaws, members may request a special membership meeting to consider removing the entire board or individual directors for cause relating to serious mismanagement or a breach of fiduciary duties. The board shall conduct any resulting special meeting as prescribed in the credit union's bylaws.

(2) Membership Vote. The members of a credit union may remove a director by a vote of two-thirds of those members voting at the special meeting; provided, however, that:

(A) a separate vote is conducted for each director sought to be recalled;

(B) the members voting shall constitute not less than 10% of the membership eligible to vote in the recall election;

(C) all members are given at least 30 days notice of the meeting which shall state the reasons why the meeting has been called; and

(D) the affected director(s) is afforded an opportunity to be heard at such meeting prior to a vote on removal.

(3) Vacancy on the Board. If a vacancy occurs as a result of a recall, the vacancy shall be filled by the affirmative vote of a majority of the remaining directors. If the entire board is removed as a result of the recall, the members shall fill the vacancies at the recall meeting. Directors elected to fill a recall vacancy shall hold office only until the next annual meeting when any unexpired terms shall be filled by vote of the members.

(g) Absences. Any director who fails to attend three (3) consecutive regularly scheduled meetings without an excuse approved by a majority vote of the board, or who fails to attend six (6) regularly scheduled meetings during any twelve-month period following the director's election or appointment is automatically removed from office. A new person shall be appointed to fill any vacancies resulting from poor attendance within sixty days of the date of the meeting that led to the automatic removal. The commissioner in the exercise of discretion may extend the deadline for filling the vacancy.

Source: The provisions of this §91.501 adopted to be effective May 11, 2000, 25 TexReg 3951; amended to be effective March 14, 2004, 29 TexReg 2636; amended to be effective July 8, 2007, 32 TexReg 3978; reviewed and amended to be effective July 10, 2011, 36 TexReg 4110; reviewed and amended to be effective July 13, 2014, 39 TexReg 5147, reviewed and readopted to be effective February 23, 2015, 40 TexReg 1112.

§91.502. Director/Committee Member Fees, Insurance, Reimbursable Expenses, and Other Authorized Expenditures.

(a) Expense reimbursement. A credit union may reimburse out-of-pocket travel and related expenses that are reasonable and appropriate for the business activity undertaken. A credit union shall adopt a written board policy to administer and control travel expenses paid or incurred in connection with directors or committee members carrying out official credit union business.

(b) Payment of fees. Subject to the provisions of this rule, a credit union may pay a reasonable meeting fee to any of its directors, honorary directors, advisory directors,(hereafter referred to as directors) or committee members for attending duly called meetings at which appropriate credit union business is conducted. Any credit union electing to pay any type of meeting fee shall annually disclose to the membership the fees paid in the prior calendar year and scheduled to be paid in the current calendar year. This disclosure may be provided to the members as part of the credit union's annual report as prescribed in §91.310 of this title (relating to annual report to membership). A credit union, however, may not pay any meeting fees to a director or committee member if the credit union is operating under a Net Worth Restoration Plan; or an order issued under Finance Code §122.257 or §122.258.

(c) Enforcement Authority; Prohibition. The commissioner may prohibit or otherwise limit or restrict the payment of meeting fees to directors or committee members if, in the opinion of the commissioner, the credit union has paid, is paying, or is about to pay meeting fees that are excessive as defined in §91.502(f).

(d) Use of credit union equipment. A credit union may provide personal computers, access to electronic mail, and other electronic conveniences to directors during their terms of office provided:

(1) the board of directors determines that the equipment and the electronic means are necessary and appropriate for the directors to fulfill their duties and responsibilities;

(2) the board of directors develops and maintains written policies and procedures regarding this matter; and

(3) the arrangement ceases immediately upon the person's leaving office.

(e) Insurance. A credit union may, in accordance with written board policy, provide health, life, accident, liability, or similar personal insurance protection for directors and committee members. The kind and amount of these insurance protections must be reasonable given the credit union's size, financial condition, and the duties of the director or committee member. The insurance protection must cease upon the director or committee member's leaving office, without providing residual benefits beyond those earned during the individual's term on the board or committee.

(f) Review by board. A credit union shall implement and maintain appropriate controls and other safeguards to prevent the payment of fees or expenses that are excessive or that could lead to material financial loss to the institution. At least annually, the board, in good faith, shall review the director/committee member fees and director/committee member-related expenses incurred, paid or reimbursed by the credit union and determine whether its policy continues to be in the best interest of the credit union. The Board's review shall be included as part of the minutes of the meeting at which the policy and the fees and expenses were studied. Fees and expenses shall be considered excessive when amounts paid are disproportionate to the services performed by a director or committee member, or unreasonable considering the financial condition of the institution and similar practices at credit unions of a comparable asset size, geographic location, and/or operational complexity.

(g) Guest travel. A credit union's board may authorize the payment of travel expenses that are reasonable in relation to the credit union's financial condition and resources for one guest accompanying a director or committee member to an approved conference or educational

program. The payment will not be considered compensation for purposes of Finance Code §122.062 if:

- (1) it is determined by the board to be necessary or appropriate in order to carry out the official business of the credit union; and
- (2) it is in accordance with written board policies and procedures.

Source: The provisions of this §91.502 adopted to be effective August 14, 2000, 25 TexReg 7632; amended to be effective July 11, 2004, 29 TexReg 6628; amended to be effective July 8, 2007, 32 TexReg 3979; reviewed and amended to be effective July 10, 2011, 36 TexReg 4110; reviewed and amended to be effective November 9, 2014, 39 TexReg 8572; reviewed and readopted to be effective February 23, 2015, 40 TexReg 1112.

§91.503. Change in Credit Union President

The board of directors, in executing its fiduciary responsibilities, may find it necessary to replace the credit union's president. The board shall submit written notification to the commissioner within ten days of any such personnel change. For purposes of this section, the term president refers to the individual responsible for the day-to-day operation of the credit union, irrespective of the actual title given to such individual.

Source: The provisions of this §91.503 adopted to be effective January 7, 2004, 29 TexReg 82; readopted to be effective March 2, 2007, 32 TexReg 1101; reviewed and readopted to be effective February 18, 2011, 36 TexReg 1569; reviewed and readopted to be effective February 23, 2015, 40 TexReg 1112.

§91.510. Bond and Insurance Requirements.

(a) Fidelity bond. Each credit union shall purchase and maintain a blanket fidelity bond covering the officers, directors, employees, committee members, and its agents, against loss caused by dishonesty, burglary, robbery, larceny, theft, holdup, forgery or alteration of instruments, misplacement or mysterious disappearance. All carriers writing credit union blanket bonds must be authorized by the Insurance Commissioner for the state of Texas as an acceptable fidelity on bonds in this state.

(1) Subject to approval by the credit union's board of directors, the amount of coverage to be required for each credit union shall be determined by the credit union, based on its assessment of the level that would be safe and sound in view of the credit union's potential exposure to risk.

(2) Each credit union may maintain bond coverage in addition to that provided by the insurance underwriter industry's standard forms, through the use of endorsements, riders, or other forms of supplemental coverage, if, in the judgment of the credit union's board of directors, additional coverage is warranted.

(3) The commissioner may require additional coverage of any credit union when, in his opinion, the fidelity bond in force is insufficient to provide adequate fidelity coverage. It shall be the duty of the board of directors to obtain the additional coverage within 30 days after the date of written notice of the findings by the commissioner.

(b) Cancellation. A fidelity bond must include a provision requiring written notification by the fidelity to the commissioner prior to cancellation of any or all coverages set out in the bond which includes a brief statement of cause for termination.

(c) Other insurance. Each credit union shall, subject to approval by the board, purchase appropriate insurance coverages to insure the credit union and its assets against loss or damage by fire, liability, casualty or any other insurance risks.

(d) Board review. The board of directors of each credit union shall formally approve the credit union's bond and insurance coverages. In deciding whether to approve the coverages, the

board shall review the adequacy of the standard coverage and the need for supplemental coverage. Documentation of the board's approval shall be included as part of the minutes of the meeting at which the board approves coverages. Additionally, the board of directors shall review the credit union's bond and insurance coverages at least annually to assess the continuing adequacy of coverage.

(e) Review by fidelity company. Credit unions which are analyzed by a fidelity company shall notify the commissioner of the analysis within 30 days of the review commencement. The report of the review is to be provided to the commissioner upon request. The confidentiality of the report shall be preserved in the same manner afforded a report of examination conducted by the department.

(f) Insuring organization's bond requirements. A credit union shall also comply with all bond requirements imposed by an insuring organization as a condition to maintain insurance on share and deposit accounts. Any credit union that fails to meet the minimum fidelity bond specifications contained within Part 741.201 of the NCUA Rules and Regulations may be deemed to be engaged in an unsafe practice pursuant to Finance Code §122.255.

Source: The provisions of this §91.510 adopted to be effective August 14, 2000, 25 TexReg 7633; amended to be effective on July 11, 2004; amended to be effective July 8, 2007, 32 TexReg 3980; reviewed and readopted to be effective February 18, 2011, 36 TexReg 1569; reviewed and readopted to be effective February 23, 2015, 40 TexReg 1112.

§91.515. Financial Reporting.

(a) Each credit union having assets of \$5 million or greater shall:

(1) prepare and maintain, on an accrual basis, accurate and complete records of its business transactions in accordance with generally accepted accounting principles, except as otherwise directed by regulatory requirements; and

(2) prepare its financial statements and reports, including reports to the members, board of directors, management and the department, in accordance with generally accepted accounting principles, except as otherwise directed by regulatory requirements.

(b) Credit unions having assets of less than \$5 million may use another comprehensive basis of accounting.

(c) In addition to the quarterly report to the department as prescribed by the Act, the commissioner may require from all credit unions or from selected categories of credit unions other financial and statistical reports relating to financial condition and accounting practices.

Source: The provisions of this §91.515 adopted to be effective May 11, 2000, 25 TexReg 3952; amended to be effective March 14, 2004, 29 TexReg 2637; readopted to be effective March 2, 2007, 32 TexReg 1101; reviewed and readopted to be effective February 18, 2011, 36 TexReg 1569; reviewed and readopted to be effective February 23, 2015, 40 TexReg 1112.

§91.516. Audits and Verifications.

(a) Audit requirements. At least once every calendar year, the board of directors shall obtain or cause to be performed an annual audit of the credit union which must cover the period elapsed since the last audit period. A summary of the audit must be reported to the members at the next membership meeting. The audit must be conducted in accordance with generally accepted auditing standards by a licensee of the Texas State Board of Public Accountancy or as permitted under the provisions of §741.202(a) of the National Credit Union Administration's Rules and Regulations (12 CFR, Chapter VII, Part 741).

(b) Definitions.

(1) A record-keeping deficiency is serious if the commissioner reasonably believes that the board of directors and management of the credit union have not timely met financial reporting objectives and established practices and procedures sufficient to safeguard members' assets.

(2) A serious recordkeeping deficiency is persistent when it continues beyond a usual, expected or reasonable period of time.

(c) Verification obligation. The board of directors shall, at least once every two years, cause the share, deposit, and loan accounts to be verified against the records of the credit union as prescribed in §741.202(b) of the National Credit Union Administration's Rules and Regulations (12 CFR, Chapter VII, Part 741).

(d) Remedies. The commissioner may compel a credit union to obtain an audit and/or a verification of members' accounts, performed by an independent person, for any year in which any one of the following conditions is present:

(1) the credit union has not obtained an annual audit or caused an audit/verification to be performed;

(2) the credit union has obtained an audit/verification or performed an audit/verification which does not meet the specified requirements; or

(3) the credit union has experienced serious and persistent recordkeeping deficiencies.

(e) Opinion audit required. The commissioner may compel a credit union to obtain an opinion audit performed in accordance with Generally Accepted Auditing Standards by an independent person who is licensed by the state for any year in which the credit union has experienced persistent serious recordkeeping deficiencies. The objective of such an audit is to obtain an unqualified opinion on the credit union's financial statements.

Source: The provisions of this §91.516 adopted to be effective May 11, 2000, 25 TexReg 3952; readopted to be effective December 18, 2003, 29 TexReg 235; amended to be effective July 8, 2007, 32 TexReg 3981; reviewed and amended to be effective on July 10, 2011, 36 TexReg 4110; reviewed and readopted to be effective February 23, 2015, 40 TexReg 1112.

Subchapter F. Accounts and Services

§91.601. Share and Deposit Accounts.

(a) Accounts. A credit union may offer any type of share or deposit accounts and prescribe the terms and conditions relating to the accounts as established by written policies approved by the board of directors.

(b) Policies and procedures. Each credit union, before accepting any funds for any share or deposit accounts, shall adopt, implement and maintain appropriate policies and procedures which address, at a minimum, asset liability management and adequate liquidity levels.

(c) Limitation on deposit accounts. Acceptance of funds from a depositor authorized by the Act that is not within the credit union's field of membership is subject to the limitations prescribed by §123.201(b) of the Act. This restriction does not apply to a credit union accepting for deposit the money of:

(1) the United States or any agent or instrumentality of the United States;

(2) this or another state; or

(3) a political subdivision of this or another state.

(d) Nonmember deposit. The written documentation evidencing a deposit under subsection (c) of this section shall clearly and conspicuously disclose that the funds are not insured. This section does not apply to insured deposits from other credit unions or deposits received by a credit union with a low-income designation.

Source: The provisions of this §91.601 adopted to be effective August 14, 2000, 25 TexReg 7633; readopted to be effective February 24, 2004, 29 TexReg 2393; readopted to be effective March 2, 2007, 32 TexReg 1101; reviewed and readopted to be effective February 18, 2011, 36 TexReg 1569; reviewed and readopted to be effective February 23, 2015, 40 TexReg 1112.

§91.602. Solicitation and Acceptance of Brokered Deposits.

(a) Definitions.

(1) Brokered deposit means any deposit that is obtained, directly or indirectly, from or through the mediation or assistance of a deposit broker.

(2) Deposit broker means a person engaged in the business of placing deposits, or facilitating the placement of deposits, of third parties with financial institutions; or the business of placing funds with financial institutions for the purpose of selling interests in the deposit to third parties.

(b) Limitation. A credit union that has a net worth ratio of less than six percent as defined in §91.901 of this title (relating to Reserve Requirements) or is not deemed adequately capitalized by its insuring organization may not accept, renew or roll over any brokered deposit unless it has been granted a waiver by the commissioner.

(c) Risk management and due diligence. Credit unions utilizing brokered deposits shall ensure that proper risk management practices are in place, including appropriate written asset/liability management policies, business strategies, concentration limits, monitoring procedures, and contingency funding plans. In addition, credit unions must implement adequate due diligence procedures before entering into a business relationship with a deposit broker.

Source: The provisions of this §91.602 adopted to be effective August 14, 2000, 25 TexReg 7634; amended to be effective July 11, 2004, 29 TexReg 6629; readopted to be effective March 2, 2007, 32 TexReg 1101; reviewed and readopted to be effective February 18, 2011, 36 TexReg 1569; reviewed and readopted to be effective February 23, 2015, 40 TexReg 1112.

§91.608. Confidentiality of Member Records.

(a) Confidentiality of members' accounts. No credit union officer, director, committee member or employee may disclose to any person, other than the member, or to any company or governmental body the individual savings, shares, or loan records of any credit union member, contained in any document or system, by any means unless specifically authorized to do so in writing by such members, except as follows:

(1) reporting credit experience to a bona fide credit reporting agency, another credit union, or any other bona fide credit-granting business and/or merchants information exchange, provided that applicable state and federal laws and regulations pertaining to credit collection and reporting are followed;

(2) furnishing information in response to a valid request from a duly constituted government agency or taxing authority, or any subdivision thereof, including law enforcement agencies;

(3) furnishing information, orally or in written form, in response to the order of a court of competent jurisdiction or pursuant to other processes of discovery duly issuing from a court of competent jurisdiction;

(4) furnishing reports of loan balances to co-borrowers, co-makers, and guarantors of loans of a member and of share or deposit account balances, signature card information, and related transactions to joint account holders;

(5) furnishing information to and receiving information from check and draft reporting, clearing, cashing and authorization services relative to past history of a member's draft and checking accounts at the credit union; or

(6) as otherwise authorized by law, including access by examiners of the Department.

(b) Non-disclosure statement. Nothing in this rule shall prohibit the credit union from releasing the name and address of members to assist the credit union in its marketing efforts or sale of third party products, provided, however, that the credit union obtains a written non-disclosure statement providing assurances that the information will be used exclusively for the benefit of the credit union and no other.

(c) Privacy policy. Each credit union shall develop, implement and maintain a written policy on the protection of nonpublic personal information of individual members in its possession. This policy shall be consistent with the disclosure and reporting requirements applicable to federally insured credit unions as addressed in Part 716 of NCUA Rules and Regulations.

(d) Relation to federal laws. This section shall not be construed as altering or affecting any applicable federal statute, regulation, or interpretation that affords a member greater protection than provided under this section.

Source: The provisions of this §91.608 adopted to be effective August 14, 2000, 25 TexReg 7634; amended to be effective July 11, 2004, 29 TexReg 6630; readopted to be effective March 2, 2007, 32 TexReg 1101; reviewed and readopted to be effective February 18, 2011, 36 TexReg 1569; reviewed and readopted to be effective February 23, 2015, 40 TexReg 1112.

§91.610. Safe Deposit Box Facilities.

(a) Purpose. Finance Code §59.110 requires credit unions to imprint keys issued to safe deposit boxes with the institution's routing number. In addition, it requires a report to the Department of Public Safety if the routing number is altered or defaced so that the correct routing number is illegible. The purpose of this section is to clarify the requirements of the noted section of the Finance Code.

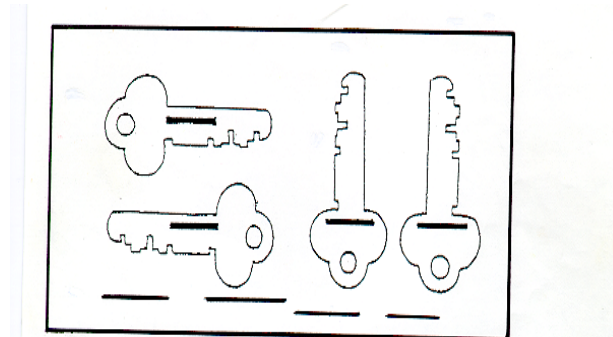
(b) Definitions. The following words and terms, when used in this section, shall have the following meanings, unless the context clearly indicates otherwise.

(1) Credit union — This term includes all state or federal credit unions that have been assigned a routing number unique to that institution.

(2) Routing number — The number printed on the face of a share draft or check in fractional form or in nine-digit form that identifies a paying financial institution.

(c) Imprinting requirements. A credit union which has been issued a routing number shall imprint that routing number on safe deposit box keys on either the head of the key or the shank of the key if there is adequate room. The typical locations to be used are indicated in the following instructions and diagram. The imprint can be made anywhere on the key that has the required space available. When positioning the die on the key, be careful to place the die on the key where it will imprint on a flat surface and not in the area of the key cuts or on any of the shank ridges or grooves. Imprinting in these areas may interfere with the proper working of the key in the lock and may cause damage. In the event these standard areas for the location of the imprint are unavailable, either because of grooves on the key shank or the fact that the head of the key already has names and other numbers imprinted on it, then the credit union may attach to the key a tag imprinted with the routing number. The tag used must be of such a nature as to be secure. Thus, a paper or cardboard tag or a tag affixed with string will not be acceptable. However, any other medium such as plastic or metal which can retain an imprint of a number

shall be acceptable. The tag may be attached in any way to assure its affixation to the key. Typically, this will mean inserting the tag or a device to affix the tag through the hole in the head of the key normally used for placing keys on key chains. The tag method shall not be used if there is adequate room on the key itself for imprinting the numbers. There are four standard areas for the location of the imprinted routing number. These include: the head of the key, the shank of the key, and either place on the reverse side of the key. The standard imprint areas are shown as follows.



(d) Branch designation. A credit union may, but is not required to, add a three-digit branch designation to its routing number. Thus, the main credit union facility should receive the designation "001" and branch facilities should receive numbers consecutively beginning with "002" with successive numbers as needed. However, the credit union may control the branch numbering system used provided that the credit union maintains a master list of branch designations used for this purpose. The master list should be maintained at the main office of the credit union and shall include the three-digit branch designation and address of facility. The credit union then may imprint safe deposit box keys or tags with the routing number plus three-digit branch designation for full identification of the facility.

(e) Report of defaced or altered key. Within 10 days after an officer or employee of a credit union observes that a key used to access a safe deposit box has had the routing number altered or defaced or the tag removed, a report shall be prepared of such incident. The report shall be on a form promulgated by the Credit Union Department in the form of the attached **Exhibit A**. The report should be submitted to the Department of Public Safety, Attention: Criminal Law Enforcement, Box 4087, Austin, Texas 78773-0001. The report should be mailed no later than ten days after the incident. The credit union should retain one copy of the incident report for a period of three years. Nothing in this rule nor in the Finance Code §59.110 shall require a credit union to inspect routing numbers imprinted on a key or an attached tag to determine if the number has been altered or defaced.

(f) Effective date; applicability to existing keys. A credit union must imprint all safe deposit box keys on or after September 1, 1992. Additionally, the imprinting requirement applies to all keys issued prior to September 1, 1992. However, keys for boxes rented prior to September 1, 1992, need not be imprinted with the routing number unless and until a member presents a safe deposit box key at a credit union for access to a box. Nothing in this rule or the Finance Code §59.110 shall be construed to require a credit union to provide notice to its safe deposit box users or to otherwise require such members to present their keys for imprinting. However, on the first date after September 1, 1992, that a member presents a key which has not been imprinted, the credit union shall imprint the key with the routing numbers as required by Finance Code §59.110.

(g) Effect of change in routing number. In the event a credit union's routing number is changed as a result of a merger, acquisition, or other change, safe deposit box keys need not be replaced with a new routing number provided that the credit union maintains a master list of the routing numbers used to imprint keys.

Source: The provisions of this §91.610 adopted to be effective August 14, 2000, 25 TexReg 7635; readopted to be effective February 24, 2004, 29 TexReg 2393; amended to be effective July 8, 2007, 32 TexReg 3981; reviewed and readopted to be effective February 18, 2011, 36 TexReg 1569; reviewed and readopted to be effective February 23, 2015, 40 TexReg 1112.

**REPORT OF DEFACED OR ALTERED ROUTING NUMBER
ON SAFE DEPOSIT BOX KEY**

INSTRUCTIONS: Complete the information below and submit the original report to Department of Public Safety, Attn: Criminal Law Enforcement, Box 4087, Austin, Texas 78773-0001, no later than 10 days after the defaced or altered key is used to access the box. Retain one copy for your files for a period of three years.

CREDIT UNION INFORMATION

Name of credit union _____

Address of safe deposit box facility _____

Name and title of contact person at facility _____

Area code and phone number of facility _____

Routing number and branch designation (if any) _____

INCIDENT INFORMATION

Member name _____

Date member presented defaced or altered key _____

Description of problem with key _____

Date of reports: _____

Exhibit A

Subchapter G. Lending Powers

§91.701. Lending Powers.

(a) Authorization. A credit union may originate, invest in, sell, purchase, service, or participate in loans or otherwise extend credit in accordance with the Act, these Rules, and other applicable law.

(b) Written Policies. Before engaging in any lending activity, each credit union shall establish written lending policies that set prudent credit underwriting and documentation standards for each specific type of lending activity. The lending policies shall contain a general outline of the manner in which loans are made, serviced, and collected. In addition the policies must:

- (1) Be consistent with safe and sound credit union practices;
- (2) Be appropriate to the size and financial condition of the credit union and the nature and scope of its operations;
- (3) Be compatible with the size and expertise of the credit union's lending staff;
- (4) Be compliant with all related laws and regulations;
- (5) Be reviewed and approved by the credit union's board of directors at inception and annually, thereafter;
- (6) Address loan portfolio diversification standards to avoid undue concentrations of risk;
- (7) Address loan documentation and underwriting standards that are clear and measurable;
- (8) Address loan administration procedures for monitoring the loss exposure from the loan portfolio;
- (9) Address loan pricing guidelines to ensure that the rate of return is consistent with the risk from the lending activity; and
- (10) State the lending authority delegated to any individuals or committees by the board of directors.

(c) Loan Documentation. The lending policies shall include loan documentation practices that:

- (1) Enable the credit union to make an informed lending decision and to assess risk, as necessary, on an ongoing basis;
- (2) Identify the purpose of a loan and the source of repayment, and assess the ability of the borrower to repay the indebtedness in a timely manner; and
- (3) Ensure that any claim against a member is legally enforceable.

(d) Credit Underwriting. A credit union shall establish and maintain prudent credit underwriting practices that:

- (1) Are commensurate with the types of loans the credit union will make and consider the terms and conditions under which they will be made;
- (2) Consider the nature of the markets in which loans will be made;
- (3) Provide for consideration of the member's overall financial condition and resources, the financial responsibility of any guarantor, the nature and value of any underlying collateral, and the member's character and willingness to repay as agreed;
- (4) Take adequate account of concentration of credit risk; and
- (5) Are appropriate to the size of the credit union and the nature and scope of its activities.

(e) **Loan Maturity Limit.** Except when a higher maturity date is provided for elsewhere in this chapter, the maturity of any loan or extension of credit to a member may not exceed 15 years. Minimum payments, on a line of credit balance must be sufficient to amortize the outstanding balance over a reasonable period of time and not cause negative amortization.

(f) **Liquidity.** In addition to establishing controls for credit risks, credit unions shall establish procedures and guidelines to monitor and limit the total volume of loans outstanding, to ensure adequate liquidity. In setting such guidelines, the credit union shall consider various factors such as credit demand, the volatility of shares and deposits, and availability of alternative funding sources.

(g) **Waivers.** The commissioner in the exercise of discretion may grant a waiver in writing of any lending requirement described in this chapter. A decision to deny a waiver, however, is not subject to appeal. A waiver request must contain the following:

- (1) The requirement to be waived, the higher limit or the ratio sought;
- (2) An explanation of the need for the waiver or to raise the limit or ratio; and
- (3) Documentation supporting the credit union's ability to manage the additional risk from this activity.

Source: The provisions of this §91.701 adopted to be effective August 9, 1999, 24 TexReg 6023; amended to be effective August 10, 2003, 28 TexReg 6266; amended to be effective March 14, 2004, 29 TexReg 2637; amended to be effective November 9, 2006, 31 TexReg 9017; reviewed and amended to be effective November 7, 2010, 35 TexReg 9716; reviewed and readopted to be effective June 23, 2014, 39 TexReg 5203.

§91.703. Interest Rates.

(a) Loans made by each credit union shall bear interest at a rate or rates as may be determined by the credit union's board of directors. A board may delegate all or part of its power to determine the interest rates on any lending transactions. The board may also authorize a refund of interest on loans under the conditions it may prescribe.

(b) A loan may provide for variable interest rates, so long as the factor or index governing the extent of the variation is not under the control of the credit union and can be readily ascertained from sources available to the public or any other index approved in writing by the commissioner which is not available to the public.

Source: The provisions of this §91.703 adopted to be effective August 9, 1999, 24 TexReg 6023; readopted to be effective March 25, 2003, 28 TexReg 2960; readopted to be effective June 12, 2006, 31 TexReg 5152; reviewed and amended to be effective November 7, 2010, 35 TexReg 9717; reviewed and readopted to be effective June 23, 2014, 39 TexReg 5203.

§91.704. Real Estate Lending.

(a) **Definitions.** For the purposes of this section, the following words and terms shall have the following meanings, unless the context clearly indicates otherwise.

(1) **First lien** means any mortgage that takes priority over any other lien or encumbrance on the same property and that must be satisfied before other liens or encumbrances may share in proceeds from the property's sale.

(2) **Home loan** means a loan that is:

(A) made to one or more individuals for personal, family, or household purposes; and

(B) secured in whole or part by:

(i) a manufactured home, as defined by Finance Code <*>347.002, used or to be used as the borrower's principal residence; or

- (ii) real property improved by a dwelling designed for occupancy by four or fewer families and used or to be used as the borrower's principal residence.

(3) Improved residential real estate means residential real estate containing offsite improvements, such as access to streets, curbs, and utility connections, sufficient to make the property ready for residential construction, and real estate in the process of being improved by a building.

(4) Other acceptable collateral means any collateral in which the credit union has a perfected security interest, that has a quantifiable value, and is accepted by the credit union in accordance with safe and sound lending practices.

(5) Owner-occupied means that the owner of the underlying real property occupies a dwelling unit of the real property as a principal residence.

(6) Readily marketable collateral means insured deposits, financial instruments, and bullion in which the credit union has a perfected interest. Financial instruments and bullion must be saleable under ordinary circumstances with reasonable promptness at a fair market value determined by quotations based on actual transactions, on an auction or similarly available daily bid and ask price market.

(b) Written Policies. Before engaging in any real estate lending, a credit union shall adopt and maintain written policies that are appropriate for the size of the credit union and the nature and scope of its operation. When formulating the real estate lending policy, the credit union should consider both internal and external factors, such as its size and condition, expertise of its lending staff, avoidance of undue concentrations of risk, compliance with all real estate laws and rules, and general market conditions. Each policy must be consistent with safe and sound lending practices and establish appropriate limits and standards for extensions of credit that are secured by liens on or interests in real estate, or that are made for the purpose of financing permanent improvements to real estate. The policies shall, in addition to the general requirements of §91.701(b) of this title (relating to Lending Powers), address the following, as applicable:

- (1) Title insurance;
- (2) Escrow administration;
- (3) Loan payoffs;
- (4) Collection and foreclosure; and
- (5) Servicing and participation agreements.

(c) Loan to Value Limitations.

(1) The board of directors shall establish its own internal loan-to-value limits for real estate loans based on type of loan. These internal limits, however, shall not exceed the following regulatory limits:

- (A) Unimproved land held for investment/speculation--Loan to value limit 60%
- (B) Construction and Development: commercial, multifamily, and other nonresidential--Loan to value limit 75%
- (C) Interim Construction: owner-occupied residential real estate--Loan to value limit 90%
- (D) Owner occupied residential real estate (other than home equity)--Loan to value limit 95%
- (E) Other residential real estate such as a second or vacation home--Loan to value limit 90%
- (F) Home equity--Loan to value limit 80%
- (G) All Other--Loan to value limit 80%

(2) The regulatory loan-to-value limits should be applied to the underlying property that collateralizes the loan. In determining the loan to-value ratio, a credit union shall include the

aggregate amount of all sums borrowed, including the outstanding balances, plus any unfunded commitment or line of credit from all sources on an item of collateral, divided by the market value of the collateral used to secure the loan.

(d) **Maximum Maturities.** Notwithstanding the general 15-year maturity limit on lending transactions to members, credit unions engaged in real estate lending are expected to have loan policies that establish prudent standards for loan structure including tenor and amortization that are within the risk parameters approved by the board of directors and consistent with the following regulatory limits:

- (1) Improved residential real estate loans (principal residence, first lien)--40 years
- (2) Improved residential real estate loans (secondary residence, first lien)--30 years
- (3) Improved residential real estate loans (investment property, first lien)--20 years
- (4) Interim construction loans--18 months
- (5) Manufactured home (first lien)--20 years
- (6) Home equity loans--20 years (second lien)--30 years (first lien)
- (7) Home improvement loans--20 years

(8) A loan secured in part, by the insurance or guarantee of, or with an advance commitment to purchase the loan, in full or in part, by the Federal Government or any agency of the Federal Government, may be made for the maturity specified in the law, regulations or program under which the insurance, guarantee or commitment is provided

(e) **Mortgage Fraud Notice.** A credit union must provide to each applicant for a home loan a written notice at closing. The notice must be provided on a separate document, be in at least 14-point type, and have the following or substantially similar language: "Warning: Intentionally or knowingly making a materially false or misleading written statement to obtain property or credit, including a mortgage loan, is a violation of §32.32, Texas Penal Code, and, depending on the amount of the loan or value of the property, is punishable by imprisonment for a term of 2 years to 99 years and a fine not to exceed \$10,000. "I/we, the undersigned home loan applicant(s), represent that I/we have received, read, and understand this notice of penalties for making a materially false or misleading written statement to obtain a home loan."I/we represent that all statements and representations contained in my/our written home loan application, including statements or representations regarding my/our identity, employment, annual income, and intent to occupy the residential real property secured by the home loan, are true and correct as of the date of loan closing." On receipt of the notice, the applicant shall verify the information and execute the notice. A credit union must keep the signed notice on file with the records required under §91.701 of this title.

(f) **Excluded Transactions.** It is recognized that there are a number of lending situations in which other factors significantly outweigh the need to apply the regulatory loan-to-value limits. As a result, an exception to the loan-to-value limits is permissible for the following loan categories:

(1) Loans that are covered through appropriate credit enhancements in the form of readily marketable collateral or other acceptable collateral.

(2) Loans guaranteed or insured by the U.S. government or its agencies, provided that the amount of the guaranty or insurance is at least equal to the portion of the loan that exceeds the regulatory loan-to-value limit.

(3) Loans guaranteed, insured, or otherwise backed by the full faith and credit of the state, a municipality, a county government, or an agency thereof, provided that the amount of the guaranty, insurance, or assurance is at least equal to the portion of the loan that exceeds the regulatory loan-to-value limit.

(4) Loans that are to be sold promptly after origination, without recourse, to a financially responsible third party.

(5) Loans that are renewed, refinanced, or restructured without the advancement of new funds or an increase in the line of credit (except for reasonable closing costs) where consistent with safe and sound credit union practices and part of a clearly defined and well-documented program to achieve orderly liquidation of the debt, reduce risk of loss, or maximize recovery on the loan.

(6) Loans that facilitate the sale of real estate acquired by the credit union in the ordinary course of collecting a debt previously contracted in good faith.

(g) Loans to 100% of Value. A credit union may make a loan in an amount up to 100% of the value of real property security if that part of the loan that exceeds the regulatory loan-to-value limit is guaranteed or insured by a private corporation, organization, or other entity. The board of directors must ensure that the credit union exercises appropriate due diligence to ensure that any such guarantor or insurer has the financial capacity and willingness to perform under the terms of the guaranty or insurance agreement.

(h) Registration of residential mortgage loan originators. Title V of the Housing and Economic Recovery Act of 2008 (Public Law 110-289) requires employees of a credit union who engage in the business of a mortgage loan originator to register with the Nationwide Mortgage Licensing System and Registry and to obtain a unique identifier. A credit union must comply with the requirements imposed by Part 761 of the NCUA Rules and Regulations.

Source: The provisions of this §91.704 adopted to be effective August 9, 1999, 24 TexReg 6023; amended to be effective August 10, 2003, 28 TexReg 6267; amended to be effective November 9, 2006, 31 TexReg 9018; amended to be effective March 2, 2008, 33 TexReg 1515; amended to be effective March 4, 2009, 34 TexReg 1399; reviewed and amended to be effective November 7, 2010, 35 TexReg 9718; reviewed and amended to be effective November 9, 2014, 39 TexReg 8572.

§91.705. Home Improvement Loans.

In addition to the requirements of this chapter, all loans in which the proceeds are used to construct new improvements or renovate existing improvements on a homestead property must also comply with the requirements of Section 50(a)(5), Article XVI, Texas Constitution.

Source: The provisions of this §91.705 adopted to be effective August 9, 1999, 24 TexReg 6023; readopted to be effective March 25, 2003, 28 TexReg 2960; readopted to be effective June 12, 2006, 31 TexReg 5152; reviewed and readopted to be effective June 21, 2010, 35 TexReg 5917; reviewed and readopted to be effective June 23, 2014, 39 TexReg 5203.

§91.706. Home Equity Loans.

For any loan secured by an encumbrance against the equity in a homestead property, the terms and conditions set forth in this chapter and in Section 50, Article XVI, Texas Constitution will apply. If there is an irreconcilable conflict between a constitutional provision and the provision of this section, the constitutional requirement shall prevail.

Source: The provisions of this §91.706 adopted to be effective August 9, 1999, 24 TexReg 6023; readopted to be effective March 25, 2003, 28 TexReg 2960; readopted to be effective June 12, 2006, 31 TexReg 5152; reviewed and readopted to be effective June 21, 2010, 35 TexReg 5917; reviewed and readopted to be effective June 23, 2014, 39 TexReg 5203.

§91.707. Reverse Mortgages.

A credit union may offer reverse mortgages to its members under the terms and conditions set forth in Section 50, Article XVI, Texas Constitution and other applicable law. In the event of an irreconcilable conflict between any specific requirement contained in this section and a constitutional provision, the constitutional requirement shall prevail.

Source: The provisions of this §91.707 adopted to be effective August 9, 1999, 24 TexReg 6023; readopted to be effective March 25, 2003, 28 TexReg 2960; readopted to be effective June 12, 2006, 31 TexReg 5152; reviewed and readopted to be effective June 21, 2010, 35 TexReg 5917; reviewed and readopted to be effective June 23, 2014, 39 TexReg 5203.

§91.708. Real Estate Appraisals or Evaluations.

(a) **Policies and Procedures.** A credit union's board of directors is responsible for reviewing and adopting policies and procedures that establish and maintain an effective, independent real estate appraisal and evaluation program. A credit union's selection criteria for individuals who may perform appraisals or evaluations must provide for the independence of the individual performing the evaluation. That is, the individual has neither a direct nor indirect interest, financial or otherwise, in the property or transaction. The individual selected must also be competent to perform the assignment based upon the individual's qualifications, experience, and educational background. An individual may be an employee of a credit union if the individual qualifies under the conditions and requirements contained in Part 722 of the National Credit Union Administration Rules and Regulations.

(b) **Loans Over \$250,000.** For real estate loans in which the amount of the loan or extension of credit exceeds \$250,000, the credit union shall obtain a professional appraisal report by a state certified or licensed appraiser. The appraisal report shall be in writing and conform to generally accepted appraisal standards as evidenced by the Uniform Standards of Professional Appraisal Practice promulgated by the Appraisal Standards Board of the Appraisal Foundation, in Washington, D.C.

(c) **Loans \$250,000 or Less.** For a real estate loans with an amount of the loan or extension of credit of \$250,000 or less, the services of a state certified or licensed appraiser is not necessary; however, the credit union must obtain an appropriate evaluation of real property collateral that is supported by a written estimate of market value either performed by a qualified individual who has demonstrated competency in performing evaluations or from tax appraisal data of a governmental entity.

(d) **Right to Require an Appraisal.** The commissioner may require an appraisal under this section, at the expense of the credit union, when the commissioner has reasonable cause to believe the value of the collateral is overstated.

(e) **Existing Loans.** In the case of renewal of a loan where there has been no obvious and material change in market conditions or physical aspects of the property that threatens the adequacy of the credit union's real estate collateral protection after the transaction, even with the advancement of additional funds, a written certification of current value by the original appraiser or an acceptable substitute shall satisfy this section.

(f) Other Appraisal Requirements. A credit union shall also comply with applicable real estate appraisal requirements contained within Part 722 of the National Credit Union Administration Rules and Regulations.

Source: The provisions of this §91.708 adopted to be effective August 9, 1999, 24 TexReg 6023; amended to be effective August 11, 2002, 27 TexReg 6834; amended to be effective August 10, 2003, 28 TexReg 6267; amended to be effective November 9, 2006, 31 TexReg 9018; reviewed and amended to be effective November 7, 2010, 35 TexReg 9720; reviewed and readopted to be effective June 23, 2014, 39 TexReg 5203.

§91.709. Member Business Loans.

(a) A member business loan is defined as any loan, line of credit, or letter of credit (including any unfunded commitments), the proceeds of which will be used for a commercial, corporate, business investment property or venture, or agricultural purpose, except that the following shall not be considered a member business loan for the purposes of this rule:

(1) A loan fully secured by a lien on a 1- to 4-family dwelling that is the member's primary residence;

(2) A loan fully secured by shares in the credit union making the extension of credit or deposits in other financial institutions;

(3) Loan(s) to a member or associated member which, when the net member business loan balances are added together, are equal to less than \$50,000; or

(4) A loan where a federal or state agency or one of its political subdivisions fully insures repayment, or fully guarantees repayment, or provides an advance commitment to purchase in full.

(b) This section does not apply to loans made by a credit union to other credit unions and credit union service organizations.

(c) Any interest a credit union obtains in a loan that was made by another lender to the credit union's member is a member business loan, for purposes of this section, to the same extent as if made directly by the credit union to its member.

(d) Any interest a credit union obtains in a nonmember loan, pursuant to §91.805 (relating to loan participation investments) shall be treated the same as a member business loan for purposes of this section, except that the effect of such interest on a credit union's aggregate member business loan limit will be as set forth in subsection (f) of this rule.

(e) A credit union with a net worth ratio greater than 6% may make member business loans subject to the conditions of this section. The aggregate limit on a credit union's net member business loan balances is the lesser of 1.75 times the credit union's net worth or 12.25% of the credit union's total assets. Loans that are exempt from the definition of member business loans are not counted for the purpose of the aggregate loan limit.

(f) If a credit union holds any nonmember loan participation investments that would constitute a member business loan if made to a member, those loans will affect the credit union's aggregate limit on net member business loan balances as follows:

(1) The total of the credit union's net member business loan balances and the nonmember participation investments must not exceed the lesser of 1.75 times the credit union's net worth or 12.25% of the credit union's total assets, unless the credit union has first received approval from the commissioner.

(2) To request approval from the commissioner, a credit union must submit a letter application that:

(A) Includes a current copy of the credit union's member business loan policies;

(B) Confirms that the credit union is in compliance with all other aspects of this rule;

(C) States the credit union's proposed limit on the total amount of nonmember loan participation investments that the credit union may acquire if the application is granted; and

(D) Attests that the acquisition of nonmember loan participation investments is not being used, in conjunction with one or more other credit unions, to have the effect of trading member business loans that would otherwise exceed the aggregate limit.

(3) If the commissioner approves the request, the commissioner will promptly forward the request to Region IV of the NCUA for decision under NCUA rules at 12 C.F.R. 723.16. The commissioner's approval is not effective until the regional director of the NCUA approves it in accordance with NCUA Rule at 12 C.F.R. 723.16.

(4) The commissioner shall deny a request to exceed the aggregate limit on a credit union's net member business loan balances, or may revoke a previously approved increased aggregate limit, if the commissioner determines that:

(A) the treatment of loan purchases or participations interest will or has resulted in circumvention of the aggregate limit;

(B) the credit union's level of capital is not commensurate with that needed to support the additional risks that will be or has been incurred; or

(C) the performance of the activity by the credit union will or has adversely affected the safety and soundness of the credit union, or poses a material risk to the share insurance fund.

(g) The aggregate amount of net member business loan balances to any one member or group of associated members shall not be more than 15% of the credit union's net worth (less the Allowance for Loan Losses account) or \$100,000.00, whichever is higher.

(h) All member business loans must be secured by collateral in accordance with this section, except the following:

(1) a credit card line of credit granted to nonnatural persons that is limited to routine purposes normally made available under such lines of credit; and

(2) a loan made by a credit union under the following conditions:

(A) the aggregate of the unsecured outstanding member business loans to any one member or group of associated members does not exceed the lesser of one hundred thousand dollars or 2.5% of the credit union's net worth;

(B) the aggregate of all unsecured outstanding member business loans does not exceed ten percent of the credit union's net worth; and

(C) the credit union has a net worth of at least seven percent.

(i) The maximum loan-to-value (LTV) ratio for a member business loan may not exceed eighty percent, except when:

(1) the loan is secured by collateral on which the credit union will have a first mortgage lien, and the loan is covered by private mortgage or equivalent type insurance, or insured, guaranteed, or subject to advance commitment to purchase, by any federal or state agency or any political subdivision of this State, but in no case may the LTV ratio exceed ninety-five percent; or

(2) the loan is to purchase a car, van, pickup truck, or sport utility vehicle and is not part of a fleet of vehicles, but the LTV ratio and the term for this type of vehicle loan must be consistent with the depreciation schedule of any vehicle used for a particular type of business.

(j) A credit union that engages in this type of lending shall adopt specific member business loan policies and review them at least annually. In addition to the general lending provisions of this subchapter, the member business loan policies, at a minimum, shall address all of the following areas:

- (1) Types of business loans to be made and collateral requirements for each type of loan.
- (2) The maximum amount of net member business loan balances relative to the credit union's net worth.
- (3) The maximum amount of any given category or type of member business loan relative to the credit union's net worth.
- (4) The maximum amount that will be loaned to any one member or group of associated members, subject to subsection (g) of this section.
- (5) The qualifications and experience requirements for personnel involved in making and servicing business loans, subject to subsection (k).
- (6) A requirement for analysis of the member's initial and ongoing financial capacity to repay the debt.
- (7) Documentation sufficient to support each request for an extension of credit or an increase in an existing loan or line of credit, except where the board of directors finds that the required documentation is not reasonably available for a particular type of loan and states the reasons for those findings in the credit union's written policy. At a minimum, the standard documentation must include the following:
 - (A) A balance sheet;
 - (B) An income statement;
 - (C) A cash flow analysis;
 - (D) Income tax data;
 - (E) Analysis of operating performance ratios, and comparison with industry averages, when applicable; and
 - (F) Receipt and the periodic updating of financial statements, income tax data, and other documentation necessary to support the borrower's ongoing repayment ability.
- (8) Collateral requirements which include all of the following:
 - (A) Loan-to-value (LTV) ratios;
 - (B) Appraisal, determination of ownership, and insurance requirements;
 - (C) Environment impact assessment, when applicable; and
 - (D) Steps to be taken to secure various types of collateral.
- (9) Identification, by position, of the officials and senior management employees who are prohibited from receiving member business loans which, at a minimum, shall include the credit union's chief executive officer, any assistant chief executive officers, the chief financial officer, and any associated member or immediate family member of such persons.
- (10) Guidelines for purchase and sale of member business loans and loan participations, if the credit union engages in that activity.
- (k) The board of directors must use the services of an individual with at least two years direct experience with the type of lending the credit union will be engaging in. The experience must provide the credit union sufficient expertise given the complexity and risk exposure of the loans in which the credit union intends to engage. A credit union can meet the experience requirement through various approaches, including the services of a credit union service organization (CUSO), an employee of another credit union, an independent contractor, or other third parties. However, the actual decision to grant a loan must reside with the credit union.
- (l) Any third party used by a credit union to meet the requirements of subsection (k) must be independent from the transaction and is prohibited from having a participation in the loan or an interest in the collateral securing the loan that the third party is responsible for reviewing, with the following exceptions:
 - (1) the third party may provide a service to the credit union related to the transaction, such as loan servicing;

- (2) the third party may provide the requisite experience to the credit union and purchase a participation interest in a loan originated by the credit union that the third party reviewed; or
- (3) a credit union may use the services of a CUSO that otherwise meets the requirements of subsection (k) even though the CUSO is not independent from the transaction, provided the credit union has a controlling financial interest in the CUSO as determined under generally accepted accounting principles.
- (m) Loans granted for the construction or development of commercial or residential property are subject to the following additional requirements:
- (1) The aggregate of the net member business loan balances for all construction and development loans must not exceed 15% of the credit union's net worth. To determine the aggregate balances for purposes of this limitation, a credit union may exclude any loan made to finance the construction of a single-family residence if a prospective homeowner has contracted to purchase the property and may also exclude a loan to finance the construction of one single-family residence per member-borrower or group of associated member-borrowers, irrespective of the existence of a contractual commitment from a prospective homeowner to purchase the property;
- (2) The member borrower on such loans must have a minimum of 25% equity interest in the project being financed, the value of which is determined by the market value of the project at the time the loan is made, except that this requirement will not apply in the case of a loan made to finance the construction of a single-family residence if a prospective homeowner has contracted to purchase the property and in the case of one loan to a member-borrower or group of associated member-borrowers to finance the construction of a single-family residence, irrespective of the existence of a contractual commitment from a prospective homeowner to purchase the property. Instead the collateral requirements of subsection (i) will apply; and
- (3) The funds may be released only after on-site, written inspections by qualified personnel and according to a preapproved draw schedule and any other conditions as set forth in the loan documentation.
- (n) The commissioner, consistent with safety and soundness principles, may grant a waiver of a requirement imposed by this Section only in the following areas:
- (1) Aggregate construction or development loan limits under subsection (m);
- (2) Minimum borrower equity requirements for construction or development loans under subsection (m);
- (3) LTV ratio requirements for member business loans under subsection (i);
- (4) Maximum aggregate net member business loan balances to any one member or group of associated members under subsection (g); and
- (5) Maximum unsecured member business loan limits under subsection (h).
- (o) A waiver request authorized under subsection (n) must contain the following:
- (1) A copy of the credit union's member business lending policy;
- (2) The higher limit or ratio sought;
- (3) An explanation of the need to raise the limit or ratio;
- (4) Documentation supporting the credit union's ability to manage this activity; and
- (5) An analysis of the credit union's prior experience making member business loans, including as a minimum:
- (A) the history of loan losses and loan delinquency;
- (B) volume and cyclical or seasonal patterns;
- (C) diversification;
- (D) concentrations of credit to one borrower or group of associated borrowers in excess of 15 percent of net worth;
- (E) underwriting standards and practices;

- (F) types of loans grouped by purpose and collateral; and
 - (G) the qualifications of personnel responsible for underwriting and administering member business loans.
- (p) In determining action on a waiver request made under subsection (n), the commissioner will consider the credit union's:
- (1) Condition and management, including compliance with regulatory net worth requirements. If significant weaknesses exist in these financial and managerial factors, the waiver normally will be denied.
 - (2) Adequacy of policies, practices, and procedures. Correction of any deficiencies may be included as conditions, as appropriate, if an approval decision is made.
 - (3) Record of performance. If the member business loan record is less than satisfactory or otherwise problematic, the waiver normally will be denied.
 - (4) Elevated level of risk. If the level of risk poses safety and soundness problems or material risks to the insurance fund, the waiver normally will be denied.
- (q) The commissioner will provide the NCUA regional director with a copy of each waiver request made under subsection (n). The regional director will be consulted on all waiver requests. The regional director will provide NCUA's views within 30 calendar days, or NCUA will be deemed to have concurred with the commissioner's decision. The thirty days will begin to run once the commissioner and the regional director agree that the waiver request is complete.
- (r) A credit union may not grant a member business loan if any additional income received by the credit union or senior management employees is tied to the profit or sale of the business or commercial endeavor for which the loan is made.
- (s) A credit union may not grant a member business loan to a compensated director unless the board of directors approves granting the loan and the compensated director is recused from the decision making process.
- (t) If a credit union makes a member business loan as part of a Small Business Administration guaranteed loan program with loan requirements that are less restrictive than those required by Commission Rules, then the credit union may follow the loan requirements of the relevant Small Business Administration guaranteed loan program.
- (u) For the purposes of this section, the following words and terms, when used in this section, shall have the following meanings, unless the context clearly indicates otherwise.
- (1) Associated member – means any member with a common ownership, investment, or other pecuniary interest in the business or agricultural endeavor for which the business loan is being made.
 - (2) Construction or development loan – a financing arrangement for acquiring property or rights to property, including land or structures, with the intent of converting the property into income-producing property such as residential housing for rental or sale; commercial use; industrial use; or similar use.
 - (3) Loan-to-value ratio – the aggregate amount of all sums borrowed including outstanding balances plus any unfunded commitment or line of credit from all sources on an item of collateral divided by the market value of the collateral used to secure the loan.
 - (4) Net Member Business Loan Balance – means the outstanding loan balance plus any unfunded commitments, reduced by any portion of the loan that is secured by shares or deposits in the credit union, or by shares or deposits in other financial institutions, or by a lien in the member's primary residence, or insured or guaranteed by any agency of the federal government, a state or any political subdivision of such state, or sold as a participation interest without recourse and qualifying for true sales accounting under generally accepted accounting principles.
 - (5) Net Worth – means retained earnings as defined under Section 702.2 of the National Credit Union Administration's Rules and Regulations (12 CFR, Chapter VII, Part 702).
-

Source: The provisions of this §91.709 adopted to be effective August 9, 1999, 24 TexReg 6023; amended to be effective February 23, 2003, 28 TexReg 1377; amended to be effective on March 6, 2005, 30 TexReg 1065; readopted to be effective June 12, 2006, 31 TexReg 5152; reviewed and readopted to be effective June 21, 2010, 35 TexReg 5917; reviewed and readopted to be effective June 23, 2014, 39 TexReg 5203.

§91.710. Overdraft Protection.

(a) **Written Policy.** A credit union may advance money to a member to cover an account deficit without having a credit application from the borrower on file if the credit union has written policies and procedures adequate to address the credit, operational, and other risks associated with this type of program. The policy must:

1. Set a cap on the total dollar amount of all overdrafts the credit union will honor consistent with the credit union's ability to absorb losses;
2. Establish a time limit no later than 60 calendar days from the date first overdrawn to charge off the overdraft balance if the member does not repay the overdraft balance, or does not obtain an approved loan from the credit union;

3. Limit the dollar amount of overdrafts the credit union will honor per account;

4. Institute prudent practices related to suspension of overdraft protection services;

and

5. Establish the fee, if any, the credit union will charge members for honoring overdrafts.

(b) **Safety and Soundness Requirements.** A credit union must manage the risks associated with an overdraft protection program in accordance with safe and sound credit union principles. Accordingly, a credit union must establish and maintain effective risk management and control processes over its program. Such processes include appropriate recognition, treatment, and financial reporting, in accordance with generally accepted accounting principles, of income, expenses, assets, liabilities, and all expected and unexpected losses associated with the program. A credit union also shall assess the adequacy of its internal control and risk mitigation activities in view of the nature and scope of its overdraft protection program.

(c) **Communications with Member.** A credit union shall carefully review its overdraft protection program to ensure that marketing and other communications concerning the program do not mislead members to believe that the program is a traditional line of credit or that payment of overdrafts is guaranteed. In addition, a credit union shall take reasonable precautions to make sure members are not misled about the correct amount of their account balance, or the costs or scope of the overdraft protection offered, and that it does not encourage irresponsible member financial behavior that potentially may increase risk to the credit union.

(d) **Other Requirements.** A credit union shall also comply with the overdraft service requirements contained within Part 205 of the Federal Reserve System Rules and Regulations (Regulation E).

Source: The provisions of this §91.710 adopted to be effective August 9, 1999, 24 TexReg 6023; amended to be effective August 10, 2003, 28 TexReg 6267; amended to be effective November 9, 2006, 31 TexReg 9019; reviewed and amended to be effective November 7, 2010, 35 TexReg 9720; reviewed and readopted to be effective June 23, 2014, 39 TexReg 5203.

§91.711. Purchase and Sale of Member Loans.

(a) Policies. A credit union may sell or purchase all or part of a participation interest in a member loan or pool of member loans in accordance with written policies adopted by the board of directors that address the following matters:

(1) The type of entities to which the credit union is authorized to sell participation interests in member loans;

(2) The types of member loans in which the credit union may purchase or sell a participation interest and the types of participation interests which may be purchased or sold;

(3) The underwriting standards to be applied in the purchase of participation interests in member loans;

(4) Limitations on the aggregate principal amount of participation interest in member loans that the credit union may purchase from a single entity as necessary to diversify risk, and limitations on the aggregate amount the credit union may purchase from all entities;

(5) Provision for the identification and reporting of member loans in which participation interests are sold or purchased; and

(6) Requirements for providing and securing in a timely manner adequate credit and other information needed to make an independent judgment.

(b) Purchase and Sale Agreements. The sale or purchase of a member loan or participation interest must be based on a written agreement between the parties. Agreements to purchase or sell a member loan or a participation interest shall, at a minimum:

(1) Identify the particular member loan(s) to be covered by the agreement;

(2) Provide for the transfer of credit and other borrower information on a timely and continuing basis;

(3) Provide for sharing, dividing, or assigning collateral;

(4) Identify the nature of the participation interest(s) sold or purchased;

(5) Set forth the rights and obligations of the parties and the terms and conditions of the sale; and

(6) Contain any terms necessary for the appropriate administration of the member loan and the protection of the participation interests of the credit union.

(c) Member Loan Servicing. A credit union may sell to or purchase from any participant the servicing of any member loan in which it owns a participation interest. If a party other than the credit union will be servicing the member loan(s), the credit union shall ensure that all contracts require the servicer to administer the member loan(s) in accordance with prudent industry standards, and provide for a possible change of the servicer if performance is inadequate.

(d) Definition. For purposes of this section, a member loan means a loan or extension of credit where the borrower(s) is a member of the credit union or a member of another participating credit union.

(e) Independent Credit Judgment. A credit union that purchases a participation interest in a member loan has the responsibility of conducting member loan underwriting procedures on the member loan to determine that it complies with the policies of the credit union and meets the credit union's credit standards. The credit union shall make a judgment on the creditworthiness of the borrower that is independent of the originating lender and any intermediary seller prior to the purchase of the participation interest and prior to any servicing action that alters the terms of the original agreement. This credit judgment may not be delegated to any person that is not an employee or independent agent of the credit union. A credit union that purchases a participation interest in a member loan may use information, such as appraisals or collateral inspections, furnished by the originating lender, or any intermediary seller; however, the purchasing credit union shall independently evaluate such information when exercising its independent credit judgment. The independent credit judgment shall be documented by a credit analysis that

considers the underwriting, documentation, and compliance standards that would be required by a prudent lender and shall include an evaluation of the capacity and reliability of the servicer.

(f) Other Requirements. A credit union purchasing a participation interest in a member loan from a lender that is not a credit union insured by the National Credit Union Share Insurance Fund, must also comply with applicable requirements contained within Part 741 of the National Credit Union Administration Rules and Regulations.

(g) Sales with Recourse. When a member loan or participation interest is sold with recourse, it shall be considered, to the extent of the recourse, an extension of credit by the purchaser to the seller, as well as an extension of credit from the seller to the borrower(s).

Source: The provisions of this §91.711 adopted to be effective August 9, 1999, 24 TexReg 6023; amended to be effective August 10, 2003, 28 TexReg 6268; amended to be effective November 9, 2006, 31 TexReg 9019; reviewed and amended to be effective November 7, 2010, 35 TexReg 9720; reviewed and readopted to be effective June 23, 2014, 39 TexReg 5203.

§91.712. Plastic Cards.

(a) Definitions. The following words and terms, when used in this chapter, shall have the following meanings, unless the context clearly indicates otherwise.

(1) Card Activation – process of sending new plastic cards from the issuer to the legitimate cardholder in an “inactive” mode. Once the legitimate cardholder receives the card, they must call the issuer/processor and go through a member verification process before the card is “activated”.

(2) Card Security Code – a set of unique numbers encoded on the magnetic strip of plastic cards used to combat counterfeit fraud.

(3) Neural Network – a computer program that monitors usage patterns of an account and typical fraud patterns. The program analyzes activity to determine fraud risk scores to detect potentially fraudulent activity.

(4) Plastic Cards – includes credit cards, debit cards, automated teller machine (ATM) or specific network cards; and predetermined stored value and smart cards with micro-processor chips.

(b) Credit cards. A credit union may issue credit cards in accordance with the credit union’s written policies, which shall include at a minimum:

(1) Credit policies to set individual limits for credit card accounts:

(2) A process for reviewing each member’s payment and/or credit history periodically for the purpose of determining risk; and

(3) The credit underwriting standards for each type of card program offered.

(c) Program Review.

(1) A credit union shall review, on at least an annual basis, its plastic card program with particular emphasis on:

(A) The amount of losses caused by theft and fraud;

(B) The loss prevention measures (and their adequacy) currently employed by the credit union;

(C) The availability and possible implementation of other loss prevention measures such as card activation, card security codes, neural networks, and other evolving technology; and

(D) A cost benefit analysis of supplemental insurance coverage for theft and fraud related losses.

(2) The review shall be documented in writing, with any approved changes to the plastic card program being entered into the minutes of the board meeting.

Source: The provisions of this §91.712 adopted to be effective August 9, 1999, 24 TexReg 6023; amended to be effective August 10, 2003, 28 TexReg 6268; amended to be effective November 9, 2006, 31, TexReg 9020; reviewed and readopted to be effective June 21, 2010, 35 TexReg 5917; reviewed and readopted to be effective June 23, 2014, 39 TexReg 5203.

§91.713. Indirect Lending.

(a) Indirect Lending Program. Credit unions may implement a program of indirect financing of motor vehicles and other tangible personal property. As used in this chapter, an indirect financing is the credit union's purchase of a member's retail installment contract that is originated by a seller to finance the purchase of the motor vehicle or other property.

(b) Contracts Treated as a Loan. For the purposes of this chapter, a retail installment contract purchased under this authority may be treated as a loan on the books and records of the credit union and is subject to the same limitations and restrictions imposed upon loan transactions. As with other lending, the credit union is responsible for making the final underwriting decision. The seller may initially determine whether the prospective buyer is a member or eligible for membership in the credit union, but the final determination of membership eligibility is the credit union's responsibility.

(c) Authorization. Credit unions may purchase or hold retail installment contracts when authorized by applicable law. The retail installment contract must provide for a rate or amount of time price differential that does not exceed a rate or amount authorized by applicable law.

(d) Written Policies. The board of directors shall establish, implement, and maintain prudent and reasonable written policies that are appropriate for the size and complexity of the credit union's indirect lending program. The board must also ensure that the credit union has sufficient staff with the expertise to purchase, service, and monitor the program and the contract portfolio consistent with safe and sound credit union practices. The policies must be specific and detailed enough to foster prudent and compliant credit practices.

(e) Third Party Providers. A credit union may rely on services provided by third parties to support its indirect lending activities. The board of directors must ensure that the credit union exercises appropriate due diligence before entering into third party arrangements, and maintains effective oversight and control throughout the arrangement. This oversight and control should include a periodic review of each material seller's retail installment contract statistics to ensure compliance with credit union credit criteria and to avoid undue concentrations of risk.

(f) Subprime Indirect Lending. If a credit union conducts a program that includes subprime indirect lending, it must perform comprehensive due diligence before engaging in and during that type of activity. At a minimum, due diligence shall focus on understanding the higher levels of credit, compliance, reputation, and other risks involved, plus the likelihood that origination, servicing, collections, operating, and capital costs will increase. The strategic decision to engage in subprime indirect lending must also be supported by a sound business plan that establishes measurable financial objectives as well as limitations on growth, volume, and concentrations.

For the purposes of this section, “subprime indirect lending” refers to programs that target borrowers with weakened credit histories typically characterized by payment delinquencies, previous charge-offs, judgments, or bankruptcies. Such programs may also target borrowers with questionable repayment capacity evidenced by low credit scores or high debt-burden ratios.

Source: The provisions of this §91.713 adopted to be effective August 9, 1999, 24 TexReg 6023; amended to be effective August 10, 2003, 28 TexReg 6268; amended to be effective November 12, 2006, 31 TexReg 9020; reviewed and amended to be effective November 7, 2010, 35 TexReg 9721; reviewed and readopted to be effective June 23, 2014, 39 TexReg 5203.

§91.714. Leasing.

(a) Definitions. For the purposes of this section:

(1) The term net lease means a lease under which the credit union will not, directly or indirectly, provide or be obligated to provide for:

(A) the servicing, repair or maintenance of leased property during the lease term;

(B) the purchasing of parts and accessories for the leased property, except that improvements and additions to the leased property may be leased to the lessee upon its request in accordance with the full-payout requirements of subsection (c)(2)(A) of this section;

(C) the loan of replacement or substitute property while the leased property is being serviced;

(D) the purchasing of insurance for the lessee, except where the lessee has failed to discharge a contractual obligation to purchase or maintain insurance; or

(E) the renewal of any license, registration, or filing for the property unless such action by the credit union is necessary to protect its interest as an owner or financier of the property.

(2) The term full-payout lease means a lease transaction in which any unguaranteed portion of the estimated residual value relied on by the credit union to yield the return of its full investment in the lease property, plus the estimated cost of financing the property over the term of the lease, does not exceed 25% of the original cost of the property to the lessor. In general, a lease will qualify as a full payout lease if the scheduled payments provide at least 75% of the principal and interest payments that a lessor would receive if the finance lease were structured as a market-rate loan.

(3) The term realization of investment means that a credit union that enters into a lease financing transaction must reasonably expect to realize the return of its full investment in the leased property, plus the estimated cost of financing the property over the term of the lease from:

(A) Rentals; and

(B) The estimated residual value of the property at the expiration of the term of the lease.

(b) Permissible Activities. Subject to the limitations of this section, a credit union may engage in leasing activities. These activities include becoming the legal or beneficial owner of tangible personal property or real property for the purpose of leasing such property, obtaining an assignment of a lessor’s interest in a lease of such property, and incurring obligations incidental to its position as the legal or beneficial owner and lessor of the leased property.

(c) Finance Leasing.

(1) A credit union may conduct leasing activities that are functional equivalent of loans made under those leases. Such financing leases are subject to the same restrictions that would be applicable to a loan.

(2) To qualify as the functional equivalent of a loan:

(A) The lease must be a net, full-payout lease representing a non-cancelable obligation of the lessee, notwithstanding the possible early termination of the lease;

(B) The portion of the estimated residual value of the property relied upon by the lessor to satisfy the requirements of a full-payout lease must be reasonable in light of the nature of the leased property and all relevant circumstances so that realization of the lessor's full investment plus the cost of financing the property depends primarily on the creditworthiness of the lessee, and not on the residual market value of the leased property; and

(C) At the termination of the financing lease, either by expiration or default, property acquired must be liquidated or released on a net basis as soon as practicable. Any property held in anticipation of releasing must be reevaluated and recorded at the lower of fair market value or the value carried on the credit union's books.

(d) General Leasing. A credit union may invest in tangible personal property, including vehicles, manufactured homes, equipment, or furniture, for the purpose of leasing that property. In contrast to financing leases, lease investments made under this authority need not be the functional equivalent of loans.

(e) Leasing Salvage Powers. If a credit union believes that there has been an unanticipated change in conditions that threatens its financial position by significantly increasing its exposure to loss, it may:

(1) As the owner and lessor, take reasonable and appropriate action to salvage or protect the value of the property or its interest arising under the lease;

(2) As the assignee of a lessor's interest in a lease, become the owner and lessor of the leased property pursuant to its contractual right, or take any reasonable and appropriate action to salvage or protect the value of the property or its interest arising under the lease; or

(3) Include any provision in a lease, or make any additional agreements, to protect its financial position or investment in the circumstances set forth in paragraphs (1) and (2) of this subsection.

(f) Written Policies. A credit union engaged in lease underwriting must adopt written policies and develop procedures that reflect lease practices that control risk and comply with applicable laws. Any leasing activity must be consistent with the lending policies and underwriting requirements in §91.701 of this title (relating to Lending Powers). Any credit union engaged in making or buying leases also must adopt written policies and procedures that address the additional risks associated with leasing.

(g) Insurance Requirements. A credit union must maintain a contingent liability insurance policy with an endorsement for leasing or be named as the co-insured if the credit union does not own the leased property. Contingent liability insurance protects the credit union if it is sued as the owner of the leased property. A credit union must use an insurance company with a nationally recognized industry rating of at least a B+. Credit union members must still carry the normal liability and property insurance on the leased property and the credit union must be named as an additional insured on the liability insurance policy and as the loss payee on the property insurance policy.

(h) Holding Period. At the expiration of the lease (including any renewals or extensions with the same lessee), or in the event of a default on a lease agreement prior to the expiration of the lease term, a credit union shall either liquidate the off-lease property or re-lease it under a conforming lease as soon as practicable. The credit union must value off-lease property at the lower of current fair market value or book value promptly after the property becomes off-lease property.

Source: The provisions of this §91.714 adopted to be effective August 9, 1999, 24 TexReg 6023; readopted to be effective March 25, 2003, 28 TexReg 2960; amended to be effective November 12, 2006, 31 TexReg 9021; reviewed and readopted to be effective June 21, 2010, 35 TexReg 5917; reviewed and readopted to be effective June 23, 2014, 39 TexReg 5203.

§91.715. Exceptions to the General Lending Policies.

(a) Credit unions may provide for the consideration of loan requests from creditworthy members whose credit needs do not fit within the credit union's general lending policies. A credit union may provide for prudently underwritten exceptions to its lending policies. However, the Board is responsible for establishing written standards for the review and approval of exception loans.

(b) Each credit union establishing exceptions to its general lending policies shall establish an appropriate internal process for the review and approval of loans that do not conform to its own internal policy standards. The approval of any such loan shall also be supported by a written justification that clearly sets forth all of the relevant credit factors that support the underwriting decision. The justification and approval documents for such loans will be maintained as a part of the permanent loan file. Each credit union shall monitor compliance with its lending policies and individually report exception loans of a significant size to its board of directors.

(c) Exception loans shall be identified in the credit union's records and their aggregate amount reported at least annually to the board of directors. The aggregate amount of all such loans shall not exceed 10 percent of the credit union's net worth.

Source: The provisions of this §91.715 adopted to be effective August 9, 1999, 24 TexReg 6023; amended to be effective August 10, 2003, 28 TexReg 6269; amended to be effective November 12, 2006, 31 TexReg 9021; reviewed and readopted to be effective June 21, 2010, 35 TexReg 5917; reviewed and readopted to be effective June 23, 2014, 39 TexReg 5203.

§91.716. Prohibited Fees.

A credit union shall not make any loan or extend any credit if, either directly or indirectly, any commission, fee, or other compensation from any person or entity other than the credit union is to be received by the credit union's directors, committee members, senior management employees, loan officers, or any immediate family members of such individuals, in connection with underwriting, insuring, servicing, or collecting the loan or extension of credit.

Source: The provisions of this §91.716 adopted to be effective August 9, 1999, 24 TexReg 6023; readopted to be effective March 25, 2003, 28 TexReg 2960; readopted to be effective June 12, 2006, 31 TexReg 5152; reviewed and readopted to be effective June 21, 2010, 35 TexReg 5917; reviewed and readopted to be effective June 23, 2014, 39 TexReg 5203.

§91.717. More Stringent Restrictions.

The Commissioner may impose more stringent restrictions on a credit union's loans if the Commissioner determines that such restrictions are necessary to protect the safety and soundness of the credit union.

Source: The provisions of this §91.717 adopted to be effective August 9, 1999, 24 TexReg 6023; readopted to be effective March 25, 2003; readopted to be effective June 12, 2006, 31 TexReg 5152; reviewed and readopted to be effective June 21, 2010, 35 TexReg 5917; reviewed and readopted to be effective June 23, 2014, 39 TexReg 5203.

§91.718. Charging Off or Setting Up Reserves.

(a) The commissioner, after a determination of value in accordance with generally accepted accounting principles, may order that assets in the aggregate, to the extent that such assets have depreciated in value, or to the extent the value of such assets, including loans, are overstated in value for any reason, be charged off, or that a special reserve or reserves equal to such depreciation or overstated value be established.

(b) A credit union's financial statements shall provide for full and fair disclosure of all assets, liabilities, and members' equity, including such valuation allowance accounts as may be necessary to present fairly the financial position; and all income and expenses necessary to present fairly the results of operations for the period concerned.

(c) The Board of directors is responsible for ensuring that the credit union has controls in place to consistently determine the allowance for loan and lease losses (ALLL) in accordance with its written policies, generally accepted accounting principles, and relevant supervisory guidance. Policies shall be appropriately tailored to the size and complexity of the credit union and its loan and lease portfolio. As a minimum, a credit union shall develop, maintain, and document the methodology used to determine the amounts of an appropriate ALLL and provisions for loan and lease losses. Adjustments to the ALLL shall be made prior to the end of each calendar quarter in order to accurately reflect the loss exposure on the quarterly call reports.

Source: The provisions of this §91.718 adopted to be effective August 9, 1999, 24 TexReg 6023; amended to be effective August 10, 2003, 28 TexReg 6269; amended to be effective November 12, 2006, 31 TexReg 9021; reviewed and readopted to be effective June 21, 2010, 35 TexReg 5917; reviewed and readopted to be effective June 23, 2014, 39 TexReg 5203.

§91.719. Loans to Officials and Senior Management Employees.

(a) **Prohibition on Preferential Rates, Terms, and Conditions.** The rates, terms, conditions, and availability of any loan or other extension of credit made to, or endorsed or guaranteed by, a director, senior management employee, member of the credit committee, or an immediate family member of any such individual shall not be more favorable than the rates, terms, conditions, and availability of comparable loans or credit to other credit union members.

(b) **Approval of Governing Board.** Before making a loan, extending credit, or becoming contractually liable to make a loan or extend credit to a director, senior management employee, member of the credit committee, or an immediate family member of such individual, the board of directors must approve the transaction if the loan or the extension of credit or aggregate of outstanding loans and extensions of credit to any one person, the person's business interests, and the members of the person's immediate family is greater than 15% of the credit union's net worth. A loan fully secured by shares in the credit union or deposits in other financial institutions shall not be subject to, or included in, the aggregate amounts included in this section.

(c) **Definition.** For purposes of this section, senior management employees shall include the chief executive officer, any assistant chief executive officers (e.g. vice presidents and above), and the chief financial officer; and immediate family members shall include a person's spouse or any other person living in the same household.

(d) **Aggregate Limit on Insider Loans.** The aggregate of all outstanding loans or extensions of credit made to, or endorsed or guaranteed by, all directors, credit committee members, senior management employees, and immediate family members of all such individuals, shall not exceed 20% of the credit union's total assets. The requirements described in this subsection shall apply unless waived in writing by the commissioner for good cause shown.

(e) **Reports to Governing Board.** At least annually, the president shall make a report to the board of directors on the outstanding indebtedness of all directors, credit committee members, senior management employees, and immediate family members of such individuals. The Board's review shall be included as part of the minutes of the meeting at which the report was presented. The report required by this section shall include the following information:

(1) The amount of each indebtedness; and

(2) A description of the terms and conditions (including the interest rate, the original amount and date, maturity date, payment terms, security, if any, and any other unusual term or condition) of each extension of credit.

(f) **Governing Board Option.** At the discretion of the Board, the reporting requirement of subsection (e) of this section may be waived for any individual if the aggregate amount of all outstanding loans and extensions of credit to that person, the person's business interests, and the members of the person's immediate family do not exceed the greater of \$25,000 or one-quarter of one percent (.25%) of the credit union's net worth.

Source: The provisions of this §91.719 adopted to be effective August 9, 1999, 24 TexReg 6023; amended to be effective on August 10, 2003, 28 TexReg 6269; amended to be effective March 14, 2004, 29 TexReg 2637; amended to be effective November 12, 2006, 31 TexReg 9022; reviewed and amended to be effective November 7, 2010, 35 TexReg 9721; reviewed and readopted to be effective June 23, 2014, 39 TexReg 5203.

§91.720. Small-Dollar, Short-Term Credit.

(a) **General.** Credit unions are encouraged to offer small-dollar credit products that are affordable, yet safe and sound, and consistent with applicable laws. The goal in offering these small-dollar credit products should be to help members avoid, or transition away from, reliance on high-cost debt. To accomplish this goal, credit unions should offer products with reasonable interest rates, low fees, and payments that reduce the principal balance of the loan or extension of credit.

(b) **Definition.** For purposes of this section, small-dollar, short term credit product is defined as a low denomination loan or extension of credit having a term of 6 months or less, where the amount financed does not exceed \$1,100. Each credit union is responsible for establishing appropriate dollar limits and terms based upon its size and sophistication of operations, and its net worth.

(c) **Limitation.** Accessibility and expediency are important factors for many members with emergency or other short-term needs. Therefore, small-dollar credit products must balance the need for quick availability of funds with the fundamentals of responsible lending. Sound underwriting criteria should focus on a member's history with the credit union and ability to repay a loan within an acceptable timeframe. Given the small dollar amounts of each individual credit request, documenting the member's ability to repay can be streamlined and may need to include only basic information, such as proof of recurring income. The aggregate total of

streamlined underwritten small-dollar credit products outstanding, however, shall not exceed 20% of the credit union's net worth.

(d) Fees. A credit union may require a member to pay reasonable expenses and fees incurred in connection with making or closing a loan. With respect to expenses and fees being assessed on small-dollar, short-term credit products, the expenses and fees are presumed to be reasonable if the aggregate total is \$20 or less. In addition, if the credit union refinances a small-dollar, short-term credit product, it may charge such expenses and fees only once in a 180-day period. Credit unions may also charge a late fee as permitted by Finance Code §4124.153.

(e) Payments. Credit unions should structure payment programs in a manner that reduces the principal owed. For closed-end products, loans should be structured to provide for affordable and amortizing payments. Lines of credit should require minimum payments that pay off principal. Excessive renewals or the prolonged failure to reduce the outstanding balance are signs that the product is not meeting the member's credit needs and will be considered an unsound practice.

(f) Required Savings. Credit unions may structure small-dollar credit programs to include a savings component. The funds in this account may also serve as a pledge against the loan or extension of credit.

Source: The provisions of this §91.720 adopted to be effective July 11, 2010, 35 TexReg 5807; reviewed and readopted to be effective June 23, 2014, 39 TexReg 5203.

Subchapter H. Investments

§91.801. Investments in Credit Union Service Organizations.

(a) Definitions. As used in this section:

(1) A credit union service organization (CUSO) is an organization whose primary purpose is to strengthen or advance the credit union movement, serve or otherwise assist credit unions or their operations, and provide products or services authorized by this section to credit unions and their members.

(2) An investment in a CUSO includes the following:

(A) an investment in the stock, bonds, debentures, or other equity ownership interest of the CUSO; and

(B) loans granted by a third party to the CUSO which are guaranteed in writing by the credit union.

(3) A financing program is a plan, approved by the credit union's board of directors, that provides for multiple extensions of credit to a CUSO during the regular course of business.

(b) Authority. A credit union by itself, or with other parties, may organize, invest in or make loans to a CUSO only if it is structured and operated in a manner that demonstrates to the public that it maintains a legal existence separate from the credit union. A credit union and a CUSO must operate so that:

(1) their respective business transactions, accounts, and records are not intermingled;

(2) each observes the formalities of its separate corporate or other organizational procedures;

(3) each is adequately capitalized as a separate unit in light of normal obligations reasonably foreseeable in a business of its size and character;

(4) each is held out to the public as a separate and distinct enterprise;

(5) all transactions between them are at arm's length and consistent with sound business practices as to each of them;

(6) unless the credit union has guaranteed a loan to the CUSO, all borrowings by the CUSO indicate that the credit union is not liable; and

(7) their respective activities are in compliance with any licensing or registration requirements imposed by applicable federal or state law.

(c) Notice; Authorization; Supplemental Information; Written Objection.

(1) Required Notice. Before committing to any aggregate investment or loan to a CUSO in an amount greater than 15% of the credit union's net worth, a credit union shall provide at least thirty days' written notice to the commissioner of its intent to make or increase its investment in a CUSO, or make a loan to or enter into a financing program with a CUSO. Subject to the net worth threshold, a credit union shall also provide notice of its intent to engage in additional or substitute activities in an existing CUSO or its intent to materially alter an existing loan or financing program with a CUSO. The written notice shall include as applicable:

(A) a description of the organizational and legal structure of the CUSO and the proposed method of capitalizing the organization;

(B) a description of the loan, including the purpose, terms, guarantors, and collateral;

(C) a description of the products or services to be offered by the CUSO and the customer base it will serve;

(D) an explanation of how the CUSO will primarily serve credit unions or members of credit unions, or how the activities of the CUSO could be conducted directly by a credit union or are incidental to the conduct of the business of a credit union; and

(E) a representation that the activities will be conducted in accordance with applicable law, the requirements of this section, and in a manner that will limit exposure of the credit union to no more than the loss of funds invested in, or loaned to, the CUSO.

(2) Authorization to Proceed. If the commissioner issues a non-objection letter, the credit union may proceed with the proposed transaction when it receives the letter. Otherwise, a credit union may proceed with the proposed transaction or the CUSO may engage in the new activities 30 days after the department receives the required notice, unless the commissioner takes one of the following actions before the expiration of that time period:

(A) the commissioner notifies the credit union that it must file additional information supplementing the required notice. If a credit union is required to file additional information, it may proceed with the proposed transaction or the CUSO may engage in the new activities 30 days after the department receives the requested information, unless the commissioner issues a written objection before the expiration of that time period; or

(B) the commissioner notifies the credit union of an objection to the proposed transaction or new activity.

(3) Request for Supplemental Information. A credit union shall provide any additional information reasonably requested by the commissioner.

(4) Action on a Notice. The commissioner shall object to a proposed transaction or activity if the commissioner finds that:

(A) there is inadequate capital to support the proposed transaction or activity;

(B) the proposed transaction or activity does not comply with this section;

(C) the credit union's concentrated exposures to the CUSO give rise to safety and soundness issues; or

(D) the credit union has regulatory or operational deficiencies which would materially affect its ability to properly and effectively manage and monitor the risk associated with the CUSO.

(5) Written Objection. If the commissioner determines that an objection should be interposed, the commissioner will notify the credit union in writing of the determination and the actions the credit union must take to proceed with the proposed transaction or activity. A credit

union receiving notification of an objection may appeal the commissioner's finding to the commission in the manner provided by Chapter 93, Subchapter C of this title (relating to Appeals of Preliminary Determinations on Applications).

(d) Limitations. The board of directors of a credit union that organizes, invests in, or lends to any CUSO shall adopt and maintain written policies, which establish appropriate limits and standards for this type of investment including the maximum amount relative to the credit union's net worth, that will be invested in or loaned to any one CUSO. The maximum amount invested in any one CUSO may not exceed the statutory limit established by Texas Finance Code §124.352(b). Total investments in and total loans to CUSOs shall not, in the aggregate, exceed 10% of the total unconsolidated assets of the credit union, unless the credit union receives the prior written approval of the commissioner. The amount of loans to CUSOs, cosigned, endorsed, or otherwise guaranteed by the credit union, shall be included in the aggregate for the purpose of determining compliance with the limitations of this section.

(e) Prohibitions. No credit union may invest in or make loans to a CUSO:

(1) if any officer, director, committee member, or employee of the credit union or any member of the immediate family of such persons owns or makes an investment in or has made or makes a loan to the CUSO;

(2) unless the organization is structured as a corporation, limited liability company, registered limited liability partnership, or limited partnership;

(3) unless the credit union has obtained written legal advice that the CUSO has been designed in a manner that will limit the credit union's potential exposure to no more than the amount of funds invested in or loaned to the CUSO;

(4) if the CUSO engages in any revenue-producing activity other than the performance of services for credit unions or members of credit unions, and such activity equals or exceeds one half (1/2) of the CUSO's total revenue;

(5) unless prior to investing in or making a loan to a CUSO the credit union obtains a written agreement which requires the CUSO to follow GAAP, render financial statements to the credit union at least quarterly, and provide the department, or its representatives, complete access to the CUSO's books and records at reasonable times without undue interference with the business affairs of the CUSO;

(6) unless the CUSO is adequately bonded or insured for its operations;

(7) unless the CUSO obtains an annual opinion audit, by a licensed Certified Public Accountant, on its financial statements in accordance with generally accepted auditing standards, unless the investment in or loan to the CUSO by any one or more credit unions does not exceed \$100,000, or the CUSO is wholly owned and the CUSO is included in the annual consolidated financial statement audit of its parent credit union; or

(8) if any director of the credit union is an employee of the CUSO, or anticipates becoming an employee of the CUSO upon its formation.

(f) Permissible activities and services. The commissioner may, based upon supervisory, legal, or safety and soundness reasons, limit any CUSO activities or services, or refuse to permit any CUSO activities or services. Otherwise, a credit union may invest in or loan to a CUSO that is engaged in providing products and services that include, but are not limited to:

(1) operational services including credit and debit card services, cash services, wire transfers, audits, ATM and other EFT services, share draft and check processing and related services, shared service center operations, electronic data processing, development, sale, lease, or servicing of computer hardware and software, alternative methods of financing and related services, other lending related services, and other services or activity, including consulting, related to the routine daily operations of credit unions;

(2) financial services including financial planning and counseling, securities brokerage and dealer activities, estate planning, tax services, insurance services, administering retirement, or deferred compensation and other employee or business benefit plans;

(3) internet-based or related services including sale and delivery of products to credit unions or members of credit unions; or

(4) any other product, service or activity deemed economically beneficial or attractive to credit unions or credit union members if approved, in writing, by the commissioner.

(g) Compensation. A credit union director, senior management employee, or committee member or immediate family member of any such person may not receive any salary, commission, or other income or compensation, either directly or indirectly, from a CUSO affiliated with their credit union, unless received in accordance with a written agreement between the CUSO and the credit union. The agreement shall describe the services to be performed, the rate of compensation (or a description of the method of determining the amount of compensation) and any other provisions deemed desirable by the CUSO and the credit union. The agreement, and any amendments, must be approved by the board of directors of the credit union and the board of directors (or equivalent governing body) of the CUSO prior to any performance of service or payment and annually thereafter. For purposes of this section, senior management employee shall include the chief executive officer, any assistant chief executive officers (vice presidents and above), and the chief financial officer. Immediate family shall include a person's spouse or any other person living in the same household.

(h) Examination fee. If the commissioner requests a CUSO to make its books and records available for inspection and examination, the CUSO shall pay a supplemental examination fee as prescribed in §97.113(e) of this title (relating to Supplemental examination fees). The commissioner may waive the supplemental examination fee or reduce the fee.

(i) Exception. A credit union which has a net worth ratio greater than six percent (6%) and is deemed adequately capitalized by its insuring organization may make an investment in or make loans to a CUSO that is not limited by the restriction set forth in subsection (e)(4) of this section, provided the activities of the CUSO are limited to activities which could be conducted directly by a credit union or are incidental to the conduct of the business of a credit union. Notwithstanding this exception, all other provisions of the act and this chapter applicable to a CUSO apply. In the event a credit union's net worth declines below the required thresholds, the credit union may not renew, extend the maturity of, or restructure an existing loan, advance additional funds, or increase the investment in the CUSO without the prior written approval of the commissioner.

(j) Change in Valuation. If the limitations established by this section are reached or exceeded solely because of the profitability of the CUSO and the related GAAP valuation of the investment under the equity method, divestiture is not required. A credit union may continue to invest up to the limitation without regard to the increase in the GAAP valuation resulting from a CUSO's profitability.

Source: The provisions of this §91.801 adopted to be effective August 14, 2000, 25 TexReg 7635; adopted to be effective January 7, 2004, 29 TexReg 83; amended to be effective July 11, 2004, 29 TexReg 6630; amended to be effective July 10, 2005, 30 TexReg 3863; amended to be effective November 11, 2007, 32 TexReg 7921; amended to be effective March 4, 2009, 34 TexReg 1400; reviewed and amended to be effective March 8, 2012, 37 TexReg 1506; amended to be effective June 18, 2012, 37, TexReg 4410; reviewed and readopted to be effective June 19, 2015, 40 TexReg 4380.

§91.802. Other Investments.

(a) Definitions. Unless the context clearly indicates otherwise, these words and terms, when used in this section, shall have the following meanings.

(1) Asset-backed security--A bond, note, or other obligation issued by a financial institution, trust, insurance company, or other corporation secured by either a pool of loans, extensions of credit which are unsecured or secured by personal property, or a pool of personal property leases.

(2) Bailment for hire contract--A contract whereby a third party, bank, or other financial institution, for a fee, agrees to exercise ordinary care in protecting the securities held in safekeeping for its customers; also known as a custodial agreement.

(3) Bankers' acceptance--A time draft that is drawn on and accepted by a bank, and that represents an irrevocable obligation of the bank.

(4) Cash forward agreement--An agreement to purchase or sell a security with delivery and acceptance being mandatory and at a future date in excess of 30 days from the trade date.

(5) Counterparty--An entity with which a credit union conducts investment-related activities in such a manner as to create a credit risk exposure for the credit union to the entity.

(6) Eurodollar deposit--A deposit denominated in U. S. dollars in a foreign branch of a United States financial institution.

(7) Federal funds transaction--A short-term or open-ended transfer of funds to a financial institution.

(8) Financial institution--A bank or savings association, the deposits of which are insured by the Federal Deposit Insurance Corporation, a federal or state-chartered credit union, or the National Credit Union Central Liquidity Facility.

(9) Investment--Any security, obligation, account, deposit, or other item authorized for investment by the Act or this section. For the purposes of this section, the term does not include an investment authorized by §124.351(a)(1) of the Act.

(10) Mortgage related security--A security which meets the definition of mortgage related security in United States Code Annotated, Title 15, §78c(a)(41).

(11) Nationally recognized statistical rating organization (NRSRO)--A rating organization such as Standard and Poor's, Moody's, or Fitch which is recognized by the Securities and Exchange Commission.

(12) Ordinary care--The degree of care, which an ordinarily prudent and competent person engaged in the same line of business or endeavor should exercise under similar circumstances.

(13) Investment repurchase transaction--A transaction in which a credit union agrees to purchase a security from a counterparty and to resell the same or any identical security to that counterparty at a later date and at a specified price.

(14) Borrowing repurchase transaction--A transaction whereby a credit union either:

(A) agrees to sell a security to a counterparty and to repurchase the same or any identical security from that counterparty at a future date and at a specified price; or (B) borrows funds from a counterparty and collateralizes the loan with securities owned by the credit union.

(15) Security--An investment that has a CUSIP number or that is represented by a share, participation, or other interest in property or in an enterprise of the issuer or an obligation of the issuer that:

(A) either is represented by an instrument issued in bearer or registered form or, if not represented by an instrument, is registered in books maintained to record transfers by or on behalf of the issuer;

(B) is of a type commonly traded on securities exchanges or markets or, when represented by an instrument, is commonly recognized in any area in which it is issued or traded as a medium for investment; and

(C) either is one of a class or series or by its terms is divisible into a class or series of shares, participations, interests, or obligations.

(16) Settlement date--The date originally agreed to by a credit union and a vendor for settlement of the purchase or sale of a security.

(17) Trade date--The date a credit union originally agrees, whether orally or in writing, to enter into the purchase or sale of a security.

(18) Yankee dollar deposit--A deposit in a United States branch of a foreign bank, the deposits of which are insured by the Federal Deposit Insurance Corporation, that is licensed to do business in the state in which it is located, or a deposit in a state chartered, foreign controlled bank.

(b) Policy. A credit union may invest funds not used in loans to members, subject to the conditions and limitations of the written investment policy of the board of directors. The investment policy may be part of a broader, asset-liability management policy. The board of directors must review and approve the investment policy at least annually to ensure that the policies adequately address the following issues:

(1) The types of investments that are authorized to be purchased.

(2) The aggregate limit on the amount that may be invested in any single investment or investment type, set as a percentage of net worth.

(3) The delegation of investment authority to the credit union's officials or employees, including the person or persons authorized to purchase or sell investments, and a limit of the investment authority for each individual or committee.

(4) The authorized broker-dealers or other third-parties that may be used to purchase or sell investments, and the internal process for assessing the credentials and previous record of the individual or firm.

(5) The risk management framework given the level of risk in the investment portfolio. This will include specific methods for evaluating, monitoring, and managing the credit risk, interest-rate risk, and liquidity risk from the investment activities.

(6) The authorized third-party safekeeping agents.

(7) If the credit union operates a trading account, the policy shall specify the persons authorized to engage in trading account activities, trading account size limits, stop loss and sale provisions, time limits on inventoried trading account investments, and internal controls that specify the segregation of risk-taking and monitoring activities related to trading account activities.

(8) The procedure for reporting to the board of directors investments and investment activities that become noncompliant with the credit union's investment policy subsequent to the initial purchase.

(c) Authorized activities.

(1) General authority. A credit union may contract for the purchase or sale of a security provided that delivery of the security is by regular-way settlement. Regular-way settlement means delivery of a security from a seller to a buyer within the time frame that the securities industry has established for that type of security. All purchases and sales of investments must be delivery versus payment (i.e., payment for an investment must occur simultaneously with its delivery).

(2) Cash forward agreements. A credit union may enter into a cash forward agreement to purchase or sell a security, provided that:

(A) the period from the trade date to the settlement date does not exceed 90 days;

(B) if the credit union is the purchaser, it has written cash flow projections evidencing its ability to purchase the security;

- (C) if the credit union is the seller, it owns the security on the trade date; and
- (D) the cash forward agreement is settled on a cash basis at the settlement date.

(3) Investment repurchase transactions. A credit union may enter an investment repurchase transaction provided:

(A) the purchase price of the security obtained in the transaction is at or below the market price;

(B) the repurchase securities are authorized investments under Texas Finance Code §124.351 or this section;

(C) the credit union has entered into signed contracts with all approved counterparties;

(D) the counterparty is rated in one of the three highest long-term or counterparty rating categories by a NRSRO; and

(E) the credit union receives a daily assessment of the market value of the repurchase securities, including accrued interest, and maintains adequate margin that reflects a risk assessment of the repurchase securities and the term of the transaction.

(4) Borrowing repurchase transactions. A credit union may enter into a borrowing repurchase transaction, which is a borrowing transaction subject to the Act, provided:

(A) any investments purchased by the credit union with either borrowed funds or cash obtained by the credit union in the transaction are authorized investments under Texas Finance Code §124.351 and this section;

(B) the credit union has entered into signed contracts with all approved counterparties; and

(C) investments referred to in subparagraph (A) of this paragraph mature no later than the maturity date of the borrowing repurchase transaction; and

(D) the counterparty is rated in one of the three highest long-term or counterparty rating categories by a NRSRO.

(5) Federal funds. A credit union may enter into a federal funds transaction with a financial institution, provided that the interest or other consideration received from the financial institution is at the market rate for federal funds transactions and that the transaction has a maturity of one or more business days or the credit union is able to require repayment at any time.

(6) Yankee dollars. A credit union may invest in yankee dollar deposits.

(7) Eurodollars. A credit union may invest in eurodollar deposits.

(8) Bankers' acceptance. A credit union may invest in bankers' acceptances.

(9) Open-end Investment Companies (Mutual Funds). A credit union may invest funds in an open-end investment company established for investing directly or collectively in any investment or investment activity that is authorized under Texas Finance Code §124.351 and this section, including qualified money market mutual funds as defined by Securities and Exchange Commission regulations.

(10) Government-sponsored enterprises. A credit union may invest in government-sponsored enterprise obligations such as Federal Home Loan Banks, the Federal Home Loan Mortgage Corporation, the Federal National Mortgage Association, the Federal Farm Credit Bank, and the Student Loan Marketing Association.

(11) Commercial paper. A credit union may invest in commercial paper issued by a corporation domiciled within the United States and having a short-term or commercial paper rating of no less than A1 or P1 by Standard & Poor's or Moody's, respectively, or an equivalent rating by a NRSRO.

(12) Corporate bonds. A credit union may invest in corporate bonds issued by a corporation domiciled in the United States. The bonds must be rated by a NRSRO in one of the two highest long-term rating categories and have remaining maturities of five years or less.

(13) Municipal bonds. A credit union may invest in municipal bonds rated by a NRSRO in one of the two highest long-term rating categories with remaining maturities of five years or less.

(14) Mortgage-related securities. With the exception of “accrual bonds” (or Z-bonds) or the residual interest of the mortgage-related security, a credit union may invest in mortgage-related securities backed by mortgages secured by real estate upon which is located a residential dwelling, a mixed residential and commercial structure, or a residential manufactured home. The security must be rated by a NRSRO in one of the two highest long-term rating categories.

(15) Asset-backed securities. Provided the underlying collateral is domestic- and consumer-based, a credit union may invest in asset-backed securities which are rated by a NRSRO in one of the two highest long-term rating categories.

(d) Documentation. A credit union shall maintain files containing credit and other information adequate to demonstrate evidence of prudent business judgment in exercising the investment powers under the Act and this rule including:

(1) Except for investments that are issued, insured or fully guaranteed as to principal and interest by the U.S. Government or its agencies, enterprises, or corporations or fully insured (including accumulated interest) by the National Credit Union Administration or the Federal Deposit Insurance Corporation, a credit union must conduct and document a credit analysis of the issuing entity and/or investment before purchasing the investment. The credit union must update the credit analysis at least annually as long as the investment is held.

(2) Credit and other due diligence documentation for each investment shall be maintained as long as the credit union holds the investment and until it has been both audited and examined. Before purchasing or selling a security, a credit union must obtain either price quotations on the security (or a similarly-structured security) from at least two broker-dealers or a price quotation on the security (or similarly-structured security) from an industry-recognized information provider.

(3) The reference to and use of NRSRO credit ratings in this rules provides a minimum threshold and is not an endorsement of the quality of the ratings. Credit unions must conduct their own independent credit analyses to determine that each security purchased presents an acceptable credit risk, regardless of the rating.

(e) Classification. A credit union must classify a security as hold-to-maturity, available-for-sale, or trading, in accordance with generally accepted accounting principles and consistent with the credit union’s documented intent and ability regarding the security.

(f) Purchase or Sale of Investments Through a Third-Party.

(1) A credit union may purchase and sell investments through a broker-dealer as long as the broker-dealer is registered with the Securities and Exchange Commission under the Securities Exchange Act of 1934 (15 U.S.C. 78a et seq.) or is a financial institution whose broker-dealer activities are regulated by a federal or state regulatory agency.

(2) Before purchasing an investment through a broker-dealer, a credit union must analyze and annually update the following information.

(A) The background of the primary sales representative and the local broker-dealer firm with whom the credit union is doing business, using information available from federal or state securities regulators and securities industry self-regulatory organizations, such as the Financial Industry Regulatory Authority and the North American Securities Administrators Association, about any enforcement actions against the broker-dealer firm, its affiliates, or associated personnel.

(B) If the broker-dealer is acting as the credit union’s counterparty, the ability of the broker-dealer and its subsidiaries or affiliates to fulfill commitments, as evidenced by capital strength, liquidity, and operating results. The credit union should consider current financial data, annual reports, long-term or counterparty ratings that have been assigned by NRSROs, reports of

NRSROs, relevant disclosure documents such as annual independent auditor reports, and other sources of financial information.

(3) Paragraphs (1) and (2) of this subsection do not apply when a credit union purchases a certificate of deposit or share certificate directly from a bank, credit union, or other financial institution.

(g) Discretionary Control Over Investments and Investment Advisers.

(1) Except as provided in paragraph (2) of this subsection, a credit union must retain discretionary control over its purchase and sale of investments. A credit union has not delegated discretionary control to an investment adviser when the credit union reviews all recommendations from the investment adviser and is required to authorize a recommended purchase or sale transaction before its execution.

(2) A credit union may delegate discretionary control over the purchase and sale of investments in an aggregate amount not to exceed 100% of its net worth at the time of delegation to persons other than the credit union's officials or employees, provided each such person is an investment adviser registered with the Securities and Exchange Commission under the Investment Advisers Act of 1940 (15 U.S.C. 80b).

(3) Before transacting business with an investment adviser to which discretionary control has been granted, and annually thereafter, a credit union must analyze the adviser's background and information available from federal and state securities regulators and securities industry self-regulatory organizations, including any enforcement actions against the adviser, associated personnel, and the firm for which the adviser works.

(4) A credit union may not compensate an investment adviser with discretionary control over the purchase and sale of investments on a per transaction basis or based on capital gains, capital appreciation, net income, performance relative to an index, or any other incentive basis.

(5) A credit union must obtain a report from its investment adviser at least monthly that details the investments under the adviser's control and their performance.

(h) Investment Practice Permitted to Federal Credit Unions.

If an applicant credit union proposes to make the same type of investment which a federally chartered credit union has been granted permission to make, the commissioner shall grant the application unless the commissioner finds that due to the financial position or the state of management of the applicant credit union, the proposed investments or deposits would not be sound or prudent investment practices for the applicant credit union. The commissioner may instead grant the application conditionally, grant in modified form, or deny the application.

(i) Modification or Revocation of Investment Authority.

If the commissioner finds that due to the financial condition or management of a credit union, an investment practice authorized by this section has ceased to be a safe and prudent practice, the commissioner shall inform the board of directors of the credit union, in writing, that the authority to engage in the practice has been revoked or modified. The credit union's directors and management shall immediately take steps to begin liquidating the investments in question or make the modification required by the commissioner. The commissioner for cause shown may grant the credit union a definite period of time to comply with the commissioner's orders. Credit unions which continue to engage in investment practices after their authority to do so has been revoked or modified will be treated as if the authority to engage in the practice had never been granted, and their actions may be deemed an unsound practice and a willful violation of an order of the commissioner and may be grounds for appropriate supervisory action against the credit union, its directors or officers.

(j) Waivers.

(1) The commissioner in the exercise of discretion may grant a written waiver, consistent with safety and soundness principles, of a requirement or limitation imposed by this

subchapter. A decision to deny a waiver is not subject to appeal. A waiver request must contain the following:

- (A) A copy of the credit union's investment policy;
- (B) The higher limit or ratio sought;
- (C) An explanation of the need to raise the limit or ratio; and
- (D) Documentation supporting the credit union's ability to manage this activity;

(2) In determining action on a waiver request made under this subsection, the commissioner will consider the:

(A) Credit union's financial condition and management, including compliance with regulatory net worth requirements. If significant weaknesses exist in these financial and managerial factors, the waiver normally will be denied.

(B) Adequacy of the credit union's policies, practices, and procedures. Correction of any deficiencies may be included as conditions, as appropriate, if the waiver is approved.

(C) Credit union's record of investment performance. If the credit union's record of performance is less than satisfactory or otherwise problematic, the waiver normally will be denied.

(D) Credit union's level of risk. If the level of risk poses safety and soundness problems or material risks to the insurance fund, the waiver normally will be denied.

Source: The provisions of this §91.802 adopted to be effective February 11, 2001, 26 TexReg 1135; amended to be effective August 11, 2002, 27 TexReg 6835; amended to be effective November 14, 2004, 29 TexReg 10254; amended to be effective November 11, 2007, 32 TexReg 7922; amended to be effective July 12, 2009, 34 TexReg 4512; reviewed and amended to be effective November 13, 2011, 36 TexReg 7540.

§91.803. Investment Limits and Prohibitions.

(a) **Limitations.** A credit union may invest no more than 50% of its net worth with any single obligor or related obligors. This limitation does not apply to investments issued by, or fully guaranteed as to principal and interest by, the United States or an agency, enterprise, corporation, or instrumentality of the United States, or to any trust or trusts established for investing, directly or collectively, in such securities, obligations, or instruments. For the purposes of this section, obligor is defined as an issuer, trust, or originator of an investment, including the seller of a loan participation.

(b) **Designated Depository.** As a single exception to subsection (a) of this section, a credit union's board of directors may establish the maximum aggregate deposit limit for a single financial institution approved by the board as the credit union's designated depository. This deposit limit shall be a percentage of net worth and must be based on the credit union's liquidity trends and funding needs as documented by its asset/liability management policy. This authority is contingent upon the credit union appropriately documenting its due diligence to demonstrate that the investments in this designated depository do not pose a safety and soundness concern. The credit union's board of directors shall review and approve at least annually the maximum aggregate deposit limit for its designated depository. The review shall include a current due diligence analysis of the financial institution.

(c) **Prohibited Activities.**

(1) **Definitions.**

(A) **Adjusted trading--**selling an investment to a counterparty at a price above its current fair value and simultaneously purchasing or committing to purchase from the counterparty another investment at a price above its current fair value.

(B) Collateralized mortgage obligation (CMO)--a multi-class bond issue collateralized by mortgages or mortgage-backed securities.

(C) Fair value--the price at which a security can be bought or sold in a current, arms length transaction between willing parties, other than in a forced or liquidation sale.

(D) Real estate mortgage investment conduit (REMIC)--a nontaxable entity formed for the sole purpose of holding a fixed pool of mortgages secured by an interest in real property and issuing multiple classes of interests in the underlying mortgages.

(E) Residual interest--the remainder cash flows from a CMO/REMIC, or other mortgage-backed security transaction, after payments due bondholders and trust administrative expenses have been satisfied.

(F) Short sale--the sale of a security not owned by the seller.

(G) Stripped mortgage-backed security (SMBS)--a security that represents either the principal-only or the interest-only portion of the cash flows of an underlying pool of mortgages or mortgage-backed securities. Some mortgage-backed securities represent essentially principal-only cash flows with nominal interest cash flows or essentially interest-only cash flows with nominal principal cash flows. These securities are considered SMBSs for the purposes of this rule.

(H) Zero coupon investment--an investment that makes no periodic interest payments but instead is sold at a discount from its face value. The holder of a zero coupon investment realizes the rate of return through the gradual appreciation of the investment, which is redeemed at face value on a specified maturity date.

(2) A credit union may not:

(A) Purchase or sell financial derivatives, such as futures, options, interest rate swaps, or forward rate agreements;

(B) Engage in adjusted trading or short sales;

(C) Purchase stripped mortgage backed securities, residual interests in CMOs/REMICs, mortgage servicing rights, commercial mortgage related securities, or small business related securities;

(D) Purchase a zero coupon investment with a maturity date that is more than 10 years from the settlement date;

(E) Purchase investments whereby the underlying collateral consists of foreign receivables or foreign deposits; or

(F) Purchase securities used as collateral by a safekeeping concern.

(d) Investment pilot program.

(1) The commissioner may authorize a limited number of credit unions to engage in other types of investment activities under an investment pilot program. A credit union wishing to participate in an investment pilot program shall submit a request that addresses the following items:

(A) Board policies approving the activities and establishing limits on them;

(B) A complete description of the activities, with specific examples of how the credit union will conduct them and how they will benefit the credit union;

(C) A demonstration of how the activities will affect the credit union's financial performance, risk profile, and asset-liability management strategies;

(D) Examples of reports the credit union will generate to monitor the activities;

(E) A projection of the associated costs of the activities, including personnel, computer, audit, etc.;

(F) A description of the internal systems to measure, monitor, and report the activities, and the qualifications of the staff and/or official(s) responsible for implementing and overseeing the activities; and

(G) The internal control procedures that will be implemented, including audit requirements.

(2) In connection with a request to participate in an investment pilot program, the commissioner will consider the general nature and functions of credit unions, as well as the specific financial condition and management of the applicant credit union, as revealed in the request, examinations, or such other information as may be available to the commissioner. The commissioner may approve the request, approve the request conditionally, approve it in modified form, or deny it in whole or in part. A decision by the commissioner concerning participation in an investment pilot program is not appealable.

(3) The commissioner may find that an investment pilot program previously authorized is no longer a safe and prudent practice for credit unions generally to engage in, or has become inconsistent with applicable state or federal law, or has ceased to be a safe and prudent practice for one or more particular credit unions in light of their financial condition or management. Upon such a finding, the commissioner will send written notice informing the board of directors of any or all of the credit unions engaging in such a practice that the authority to engage in the practice has been revoked or modified. When the commissioner so notifies any credit union, its directors and officers shall forthwith take steps to liquidate the investments in question or to make such modifications as the commissioner requires. Upon demonstration of good cause, the commissioner may grant a credit union some definite period of time in which to arrange its affairs to comply with the commissioner's direction. Credit unions which continue to engage in investment practices where their authority to do so has been revoked or modified will be deemed to be engaging in an unsound practice.

Source: The provisions of this §91.803 adopted to be effective July 9, 2001, 26 TexReg 5001; amended to be effective July 11, 2004, 29 TexReg 6632; amended to be effective November 11, 2007, 32 TexReg 7922; reviewed and amended to be effective November 13, 2011, 36 TexReg 7544.

§91.804. Custody And Safekeeping.

(a) A credit union's purchased investments and repurchased collateral must be in its possession, recorded as owned by the credit union through the federal reserve book-entry system, or be held by a board-approved safekeeper under a bailment for hire contract or a custodial arrangement subject to regulation by the Securities and Exchange Commission. Any safekeeper used by a credit union must be regulated and supervised by either the Securities and Exchange Commission or a federal or state financial institution regulatory agency. For the purposes of this section a bailment for hire contract has the same meaning as in §91.802 (relating to Other Investments). Annually, a credit union must analyze the ability of any safekeeper used by the credit union to fulfill its custodial responsibilities, as evidenced by capital strength and financial conditions. The credit union should consider current financial data, annual reports, reports of nationally-recognized statistical rating organizations (NRSROs), relevant disclosure documents such as annual independent auditor reports, and other sources of financial information. At least monthly, a credit union must obtain and reconcile a statement of purchased investments and repurchased collateral held in safekeeping.

(b) A credit union that invests funds in a certificate of deposit in a financial institution as defined in §91.802 (relating to Other Investments) shall hold such certificate of deposit in the name of the credit union or, if held by a safekeeper or registered broker-dealer, in the safekeeper's or registered broker-dealer's name as custodial nominee for a credit union. Any certificate of deposit held by a safekeeper or registered broker-dealer as custodial nominee for a credit union or the credit union's registered broker or dealer must be eligible for extended or

flow-through insurance coverage to the credit union through either the Federal Deposit Insurance Corporation or the National Credit Union Share Insurance Fund.

Source: The provisions of this §91.804 adopted to be effective August 14, 2000, 25 TexReg 7636; amended to be effective July 11, 2004, 29 TexReg 6632; amended to be effective March 6, 2005, 30 TexReg 1065; amended to be effective November 11, 2007, 32 TexReg 7922; reviewed and amended to be effective November 13, 2011, 36 TexReg 7544; reviewed and readopted to be effective June 19, 2015, 40 TexReg 4380.

§91.805. Loan Participation Investments.

(a) A credit union may purchase a participation interest in a non-member loan from a corporation, credit organization, or financial organization, as permitted by §124.351(a)(8) of the Act, provided the credit union:

(1) is specifically empowered to purchase such investments in the board's written investment policy;

(2) does not obtain an interest greater than 90% of the face amount of each individual loan, if the borrower is not a member of the credit union or a member of another participating credit union;

(3) uses the same underwriting standards for loan participation investments as it does for loans originated by the credit union; and

(4) limits its aggregate investment in loan participation investments to an amount no greater than 50% of the credit union's net worth.

(b) Financial Reporting. A participation interest in a non-member loan purchased under this section shall be reported in accordance with generally accepted accounting principles.

(c) Other Requirements. A credit union purchasing a loan participation investment must also comply with applicable requirements contained within Part 741 of the National Credit Union Administration Rules and Regulations.

Source: The provisions of this §91.805 adopted to be effective August 14, 2000, 25 TexReg 7636; readopted to be effective February 24, 2004, 29 TexReg 2393; amended to be effective November 11, 2007, 32 TexReg 7923; reviewed and amended to be effective November 13, 2011, 36 TexReg 7544.

§91.808. Reporting Investment Activities to the Board of Directors.

(a) A credit union shall provide its board of directors a monthly comprehensive report of investment activities, including:

(1) investments purchased and sold during the month;

(2) unrealized market gains or losses compared to book value for each security at month's end;

(3) fair or market value of each security;

(4) total book value of investments outstanding at month's end;

(5) unrecorded and unreported obligations to buy or sell investments; and

(6) amount of investments, other than deposits and investments in designated depositories, that are not either issued by, or fully guaranteed as to principal and interest by, the Federal Deposit Insurance Corporation, the National Credit Union Administration, the United States or any agency, enterprise, corporation, or instrumentality of the United States, or in any trust or trusts established for investing, directly or collectively, in such securities, obligations or instruments.

(b) The credit union shall also provide a quarterly report to the board of directors that summarizes the volatility of the entire security portfolio, if the aggregate amount of securities with one or more of the features included below exceeds the credit union's net worth:

- (1) embedded options;
 - (2) remaining maturities greater than three years; or
 - (3) coupon formulas that are related to more than one index or are inversely related to, or multiples of, an index.
- (c) The report described in subsection (b) of this section must provide a reasonable and supportable estimate of the potential impact, in percentage and dollar terms, of an immediate and sustained parallel shift in market interest rates of plus and minus 300 basis points on the:
- (1) fair value of each security in the entire portfolio;
 - (2) fair value of the entire security portfolio as a whole; and
 - (3) credit union's net worth.
- (d) For the purposes of this section, an embedded option means a characteristic of an investment that gives the issuer or holder the right to alter the level and timing of the cash flows of the investment. Embedded options include call and put provisions and interest rate caps and floors. Since a prepayment option in a mortgage is a type of call provision, a mortgage-backed security composed of mortgages that may be prepaid is an example of an investment with an embedded option.

Source: The provisions of this §91.808 adopted to be effective February 11, 2001, 26 TexReg 1137; readopted to be effective February 24, 2004, 29 TexReg 2393; amended to be effective November 11, 2007, 32 TexReg 7923; reviewed and readopted to be effective June 20, 2011, 36 TexReg 4152; amended to be effective July 8, 2012, 37 TexReg 4888; reviewed and readopted to be effective June 19, 2015, 40 TexReg 4380.

Subchapter I. Reserves and Dividends

§91.901. Reserve Requirements.

- (a) **Definitions.** The words and terms, when used in this chapter, shall have the following meanings, unless the context clearly indicates otherwise.
- (1) Net worth means the retained earnings balance of the credit union as determined under generally accepted accounting principles. Retained earnings consist of undivided earnings, regular reserves, and any other appropriations designated by management, the insuring organization, or the commission. This means that only undivided earnings and appropriations of undivided earnings are included in net worth. Net worth does not include the allowance for loan and lease losses account.
 - (2) Net worth ratio means, with respect to a credit union, the ratio of the net worth of the credit union to the total assets of the credit union.
 - (3) Total assets means the average of the total assets as measured using one of the following methods:
 - (A) average quarterly balance. The average of quarter-end balances of the four most recent calendar quarters; or
 - (B) average monthly balance. The average of month-end balances over the three calendar months of the calendar quarter; or
 - (C) average daily balance. The average daily balance over the calendar quarter; or
 - (D) quarter-end balance. The quarter-end balance of the calendar quarter as reported on the credit union's call report.
- (b) In accordance with the requirements of §122.104 of the Act, state-chartered credit unions shall set aside a portion of their current gross income, prior to the declaration or payment of dividends, as follows:

- (1) A credit union with a net worth ratio below 7.0% shall increase the dollar amount of its net worth reserves by the following amounts at the indicated intervals until its net worth ratio equals 7.0% of total assets:
- (A) in the case of a monthly dividend period, net worth must increase monthly by an amount equivalent to at least 0.0334% of its total assets; and
 - (B) in the case of a quarterly, semi-annual or annual dividend period, net worth must increase quarterly by an amount equivalent to at least 0.1% per quarter of its total assets.
- (2) For a credit union in operation less than ten years and having assets of less than \$10 million, a business plan must be developed that reflects, among other items, net worth projections consistent with the following:
- (A) 2.0% net worth ratio by the end of the third year of operation;
 - (B) 3.5% net worth ratio by the end of the fifth year of operation;
 - (C) 6.0% net worth ratio by the end of the seventh year of operation; and
 - (D) 7.0% net worth ratio by the time it reaches \$10 million in total assets or by the end of the tenth year of operation, whichever is shorter.
- (3) Whenever the net worth ratio falls below 7.0%, the credit union shall transfer a portion of its current period net income to its regular reserve in such amounts as described in paragraph (1) of this subsection.
- (4) Special reserves. In addition to the regular reserve, special reserves to protect the interest of members may be established by board resolution or by order of the commissioner, from current income or from undivided earnings. In lieu of establishing a special reserve, the commissioner may direct that all or a portion of the undivided earnings and any other reserve fund be restricted. In either case, such directives must be given in writing and state with reasonable specificity the reasons for such directives.
- (5) Insuring organization's capital requirements. As applicable, a credit union shall also comply with any and all net worth or capital requirements imposed by an insuring organization as a condition to maintaining insurance on share and deposit accounts. For federally-insured credit unions this includes all prompt corrective action requirements contained within Part 702 of the NCUA Rules and Regulations.
- (6) Decrease in Required Reserve Transfer. The commissioner, on a case-by-case basis, and after receipt of a written application, may permit a credit union to transfer an amount that is less than the amount required under paragraph (1) of this subsection. A credit union shall submit such statements and reports as the commissioner may, in his discretion, require in support of a decreased transfer request. The application must be received no later than 10 days before the quarter end and shall include but not be limited to:
- (A) An explanation of the need for the reduced transfer amount;
 - (B) Financial statement reflecting the fiscal impact of the required transfer; and
 - (C) Documentation supporting the credit union's ability to resume the required transfer at a future date certain.
- (c) Revised business plan for new credit unions. A credit union that has been in operation for less than ten years and has assets of less than \$10 million shall file a written revised business plan within 30 calendar days of the date the credit union's net worth ratio has failed to increase consistent with its current business plan. Failure to submit a revised business plan, or submission of a plan not adequate to either increase net worth or increase net worth within a reasonable time; or failure of the credit union to implement its revised business plan, may trigger the regulatory actions described in subsection (b)(4) of this section.
- (d) Unsafe practice. Any credit union which has less than a 6.0% net worth ratio may be deemed to be engaged in an unsafe practice pursuant to §122.255 of the Finance Code. The determination may be abated if, the credit union has entered into and is in compliance with a written agreement or order with the department or is in compliance with a net worth restoration

or revised business plan approved by the department to increase its net worth ratio. If a credit union has a net worth ratio below 6.0% or is otherwise engaged in an unsafe practice, the department may impose the following administrative sanctions in addition to, or in lieu of, any other authorized supervisory action:

- (1) all unencumbered reserves, undivided earnings, and current earnings are encumbered as special reserves;
 - (2) dividends and interest refunds may not be declared, advertised, or paid without the prior written approval of the commissioner; and
 - (3) any changes to the credit union's board of directors or senior management staff must receive the prior written approval of the commissioner.
- (e) Supervisory action. Notwithstanding any requirements in this section, the department may take enforcement action against a credit union with capital above the minimum requirement if the credit union's circumstances indicate such action would be appropriate.

Source: The provisions of this §91.901 adopted to be effective August 14, 2000, 25 TexReg 7636; amended to be effective July 11, 2004, 29 TexReg 6633; amended to be effective November 11, 2007, 32 TexReg 7923; reviewed and amended to be effective November 8, 2009, 34 TexReg 7628; reviewed and readopted to be effective June 20, 2011, 36 TexReg 4152.

§91.902. Dividends.

- (a) Dividend eligibility shall be prescribed by written board policy.
- (b) When a credit union is subject to a cease and desist order or is otherwise notified that it is deemed to be in a troubled condition or engaged in an unsafe practice, the credit union must obtain prior written approval of the commissioner before it declares or pays any dividend or interest refund. A request for approval to pay a dividend or interest refund under this section must be in writing and must include the following supporting information:
 - (1) the proposed dividend and/or interest refund rate and the estimated total dollar amount of payment;
 - (2) an analysis of the credit union's ability to make the payment from current earnings without incurring an operating loss for the period; and
 - (3) an explanation of the progress in resolving the areas of concern detailed in the cease and desist order or the examiner's findings schedule of the most recent report of examination.

Source: The provisions of this §91.902 adopted to be effective August 14, 2000, 25 TexReg 7638; readopted to be effective February 24, 2004, 29 TexReg 2393; amended to be effective November 11, 2007, 32 TexReg 7924; reviewed and readopted to be effective June 20, 2011, 36 TexReg 4152; reviewed and readopted to be effective June 19, 2015, 40 TexReg 4380.

Subchapter J. Changes in Corporate Status

§91.1003. Mergers/Consolidations.

(a) Definitions. The following words and terms, when used in this section, shall have the following meanings, unless the context clearly indicates otherwise.

(1) Acquirer credit union - The credit union that will continue in operation after the merger/consolidation.

(2) Acquiree credit union - The credit union that will cease to exist as an operating credit union at the time of the merger/consolidation.

(3) Merger inducement - A promise by a credit union to pay to the members of another credit union a sum of money or other material benefit upon the successful completion of a merger of the two credit unions.

(b) Two or more credit unions organized under the laws of this state, another state, or the United States, may merge/consolidate, in whole or in part, with each other, or into a newly incorporated credit union to the extent permitted by applicable law, subject to the requirements of this rule. A credit union may not offer a merger inducement to another credit union's members as a means of promoting a merger of the two credit unions.

(c) Notice of Intent to Merge/Consolidate. The credit unions shall notify the commissioner in writing of their intent to merge/consolidate within ten days after the credit unions' boards of directors formally agree in principle to merge/consolidate.

(d) Plan for Merger/Consolidation. Upon approval of a proposition for merger/consolidation by the boards of directors, the credit unions must prepare a plan for the proposed merger/consolidation. The plan shall include:

(1) the current financial reports of each credit union;

(2) the combined financial reports of the two or more credit unions;

(3) an analysis of the adequacy of the combined Allowance for Loan and Lease Losses account;

(4) an explanation of any proposed adjustments to the members' shares, or provisions for reserves, dividends, or undivided profits;

(5) a summary of the products and services proposed to be available to the members of the acquirer credit union, with an explanation of any changes from the current products and services provided to the members;

(6) a summary of the advantages and disadvantages of the merger/consolidation;

(7) the projected location of the main office and any branch location(s) after the merger/consolidation and whether any existing office locations will be permanently closed; and

(8) any other items deemed critical to the merger/consolidation agreement by the boards of directors.

(e) Submission of an Application to Merge/Consolidate to Department.

(1) An application for approval of the merger/consolidation will be complete when the following information is submitted to the commissioner:

(A) the merger/consolidation plan, as described in this rule;

(B) a copy of the corporate resolution of each board of directors approving the merger/consolidation plan;

(C) the proposed Notice of Special Meeting of the members;

(D) a copy of the ballot form to be sent to the members;

(E) the current delinquent loan summaries for each credit union;

(F) if the acquiree credit union has \$65.2 million or more in assets on its latest call report, a statement as to whether the transaction is subject to the Hart-Scott Rodino Act premerger notification filing requirements; and

(G) a request for a waiver of the requirement that the plan be approved by the members of any of the affected credit unions, in the event the board(s) seek such a waiver, together with a statement of the reason(s) for the waiver(s).

(2) If the acquirer credit union is organized under the laws of another state or of the United States, the commissioner may accept an application to merge or consolidate that is prescribed by the state or federal supervisory authority of the acquirer credit union, provided that the commissioner may require additional information to determine whether to deny or approve the merger/consolidation. The application will be deemed complete upon receipt of all information requested by the commissioner.

(3) Notice of the proposed merger must be published in the *Texas Register* and Department Newsletter as prescribed in §91.104 (relating to Notice of Applications).

(f) Commissioner Action on the Application.

(1) The commissioner may grant preliminary approval of an application for merger/consolidation conditioned upon specific requirements being met, but final approval shall not be granted unless such conditions have been met within the time specified in the preliminary approval.

(2) The commissioner shall deny an application for merger/consolidation if the commissioner finds any of the following:

(A) the financial condition of the acquirer credit union before the merger/consolidation is such that it will likely jeopardize the financial stability of the merging credit union or prejudice the financial interests of the members, beneficiaries or creditors of either credit union;

(B) the plan includes a change in the products or services available to members of the acquiree credit union that substantially harms the financial interests of the members, beneficiaries or creditors of the acquiree credit union;

(C) the merger/consolidation would probably substantially lessen the ability of the acquirer credit union to meet the reasonable needs and convenience of members to be served;

(D) the credit unions do not furnish to the commissioner all information requested by the commissioner which is material to the application;

(E) the credit unions fail to obtain any approval required from a federal or state supervisory authority; or

(F) the merger/consolidation would be contrary to law.

(3) For applications to merge/consolidate in which the products and services of the acquirer credit union after merger/consolidation are proposed to be substantially the same as those of the acquiree and acquirer credit unions, the commissioner will presume that the merger/consolidation will not significantly change or affect the availability and adequacy of financial services in the local community.

(g) Procedures for Approval of Merger/Consolidation Plan by the Members of Each Credit Union.

(1) The credit unions have the option of allowing their members to vote on the plan in person at a meeting of the members, by mail ballot, or both. With prior approval of the commissioner, a credit union may accept member votes by an alternative method that is reasonably calculated to ensure each member has an opportunity to vote.

(2) Members shall be given advance notice of the meeting in accordance with the credit union's bylaws. The notice of the meeting shall:

(A) specify the purpose of the meeting and state the date, time, and place of the special meeting;

(B) state the reasons for the proposed merger/consolidation;

- (C) contain a summary of the merger plan and state that any interested person may obtain more detailed information about the merger from the credit union at its principal place of business, or by any method approved in advance by the commissioner;
- (D) provide the name and location of the acquirer credit union;
- (E) specify the methods permitted for casting votes; and
- (F) if applicable, be accompanied by a mail ballot.

(h) Completion of Merger/Consolidation.

(1) Upon approval of the merger/consolidation plan by the membership, if applicable, the Certificate of Merger/Consolidation shall be completed, signed and submitted to the commissioner for final authority to combine the records. Necessary amendments to the acquirer credit union's articles of incorporation or bylaws shall also be submitted at this time.

(2) Upon receipt of the commissioner's written authorization, the records of the credit unions shall be combined as of the effective date of the merger/consolidation. The board of the directors of the acquirer credit union shall certify the completion of the merger/consolidation to the commissioner within 30 days after the effective date of the merger/consolidation.

(3) Upon receipt by the commissioner of the completion of the merger/consolidation certification, any article of incorporation or bylaw amendments will be approved and the charter of the acquiree credit union will be canceled.

Source: The provisions of this §91.1003 adopted to be effective May 11, 1998, 23 TexReg 4568; readopted to be effective November 19, 2001, 26 TexReg 9934; amended to be effective November 16, 2005, 30 TexReg 7434; amended to be effective November 11, 2007, 32 TexReg 7924; reviewed and amended to be effective November 8, 2009, 34 TexReg 7628; reviewed and readopted to be effective June 24, 2013, 38 TexReg 4392.

§91.1005. Conversion to a Texas Credit Union.

(a) Authority to convert. A federal credit union or an out of state credit union is authorized to convert to a credit union incorporated under the laws of this state by Section 122.203 of the Act.

(b) Requirements for conversion. A credit union wishing to convert to a credit union incorporated under the laws of this state shall comply with the following requirements:

(1) Submit a complete application on a form and in a manner prescribed by the commissioner;

(2) Furnish evidence that the current federal or state regulatory agency having jurisdiction over the applicant has no preliminary objection to the conversion plan;

(3) Submit to a conversion examination by the department and pay the supplemental examination fee prescribed in Section 97.113 of this Title (relating to Fees and Charges). The commissioner may waive the examination or the fee, upon finding good cause;

(4) Furnish evidence confirming that the applicant has complied with all applicable requirements of and has completed the conversion in a manner satisfactory to the insuring organization and the current federal or state regulatory agency; and

(5) Furnish evidence that the applicant has established or will relocate its principal place of business in a specific location in the State of Texas.

(c) Approval. The commissioner shall approve the conversion once the conditions required by this section have been met and the commissioner finds that the applicant: (1) is financially sound; (2) has no material supervisory problems; and (3) can reasonably be expected to conduct its operations in a safe and sound manner and in accordance with the laws of this state. The commissioner may approve the conversion conditioned upon specific requirements being met, but the certificate of incorporation shall not be issued unless such conditions have been met.

(d) Effective date. The conversion shall become effective immediately upon the issuance of the certificate of incorporation or on a stipulated date within 90 days of the conversion approval. On request and for good cause shown, the commissioner may grant a reasonable extension of the effective date.

Source: The provisions of this §91.1005 adopted to be effective July 2, 2006, 31 TexReg 5076; reviewed and readopted to be effective June 22, 2009, 34 TexReg 4549; reviewed and readopted to be effective June 24, 2013, 38 TexReg 4392.

§91.1006. Conversions to a Federal or Out-of-State Credit Union.

(a) Authority to Convert. A credit union organized under the laws of this state is authorized to convert to a federal credit union or an out-of-state credit union by Sections 122.201 and 122.202 of the Act.

(b) Requirements for Conversion. A credit union wishing to convert to a federal credit union or an out-of-state credit union shall comply with the following requirements:

(1) Furnish evidence to the department that a conversion proposal has been approved by a two-thirds vote of the board of directors;

(2) Submit copies of all filings made with any state or federal regulatory agency and insuring organization with jurisdiction over any aspect of the conversion process;

(3) Furnish evidence confirming that the insuring organization and the acquiring state or federal regulatory agency have no preliminary objections to the plan;

(4) Submit a vote certification as required by Section 91.1008(c) of this chapter showing that the conversion proposal was approved by an affirmative vote of a majority of the eligible members of the credit union voting; and

(5) Furnish written evidence confirming that the credit union has met all of the conversion requirements of the insuring organization and the acquiring state or federal regulatory agency.

(c) Approval. The commissioner shall approve the conversion if all of the conditions required by this section have been met, unless the commissioner determines the conversion is being made to circumvent a pending supervisory action that is about to be or has been initiated by the commissioner because of a concern over the safety and soundness of the credit union.

(d) Effective Date. Once the commissioner has approved the conversion, it shall become effective upon the issuance of a charter or certificate of incorporation from the acquiring state or federal regulatory agency.

Source: The provisions of this §91.1006 adopted to be effective July 2, 2006, 31 TexReg 5077; reviewed and readopted to be effective June 22, 2009, 34 TexReg 4549; reviewed and readopted to be effective June 23, 2013, 38 TexReg 4392.

§91.1007. Conversion to a Mutual Savings Institution.

(a) Authority to convert. A credit union organized under the laws of this state is authorized to convert to a mutual savings bank or association by Section 123.003 of the Act.

(b) Requirements for conversion. A credit union that is considering converting to a mutual savings bank or association must comply with the following requirements:

(1) Preliminary communication with membership and department. At least thirty days prior to a final vote by the board of directors to formally adopt a conversion proposal, the credit union shall send notice to the department and each member advising that the board is considering a possible conversion to a mutual savings bank or association. The notice shall, at a minimum, contain the following information: (a) a prominent legend in bold-face type that advises members of a potential conversion; (b) the electronic availability of information related

to a potential conversion; (c) a telephone number and e-mail address that members may use to request copies of the potential conversion information that is available by electronic means; (d) the ability of members to submit written comments on the potential conversion; and (e) a clear, concise, and impartial description of the potential conversion to be considered by the board.

(2) Information posted on Internet web site. The credit union shall post information related to a potential conversion on the credit union's principal Internet web site at least thirty days prior to a vote by the board of directors to adopt a proposal of conversion. The posted information shall, at a minimum, discuss:

- (A) The business purposes that might be accomplished by a conversion;
- (B) The differences between and similarities of a credit union and a mutual savings institution;
- (C) An estimate of the anticipated conversion expenses;
- (D) The methods by which a member may request a copy of the posted information;
- (E) The method and timeline for members to submit written comments on the potential conversion; and
- (F) The process that will be followed if the board formally adopts a conversion proposal.

(3) Written comments from members. The board shall provide members a reasonable opportunity to submit written comments relating to a potential conversion. The board may hold a special meeting to receive member input regarding the potential conversion. It is within the board's discretion to determine the type, number, duration, and location of any special meeting(s). Before taking a final vote on a conversion proposal, the board should consider all written comments and any other member input received at any special meeting.

(4) Adoption of a conversion proposal by the board. Subsequent to the written comment period, the credit union may adopt, by the affirmative vote of at least two-thirds of the members of its board of directors, a conversion proposal consistent with this section. The credit union shall notify the department of the board's approval of the proposal within 5 days of the approval. In addition, the following documents must be sent to the department as soon as reasonably practical:

- (A) Copies of any filings made with any state or federal regulatory agency and insuring organization with jurisdiction over any aspect of the conversion process;
- (B) A copy of the disclosure materials and the ballot to be sent to eligible members relative to voting on the conversion proposal;
- (C) An estimated budget of the anticipated conversion expenses including legal, postage and mailing, advertising, printing, consulting fees, examination and operating fees, and any overtime or other employee compensation to be paid exclusively as a result of the conversion; and
- (D) Any other information reasonably requested by the commissioner.

(5) Membership approval. The members of the credit union must approve the conversion proposal by an affirmative vote of a majority of those eligible members who vote on such proposal, unless the bylaws require a higher vote threshold. The credit union shall submit a vote certification as required by section 91.1008(c) of this chapter showing that the conversion proposal was approved by the members of the credit union;

(6) Insuring organization requirements. The credit union must furnish written evidence of its compliance with any voting procedures and disclosure requirements imposed by its insuring organization; and

(7) Other regulatory oversight. The credit union must furnish written evidence that it has met all conversion requirements of the acquiring state or federal regulatory agency.

(c) Notice, disclosure materials, and ballot mailed to members. The credit union shall mail to each eligible member, as defined in Section 91.1008 of this Chapter, a notice advising the member of the adoption and filing of the conversion proposal. The notice must include a prominent statement that the conversion will be decided by a majority of eligible members who vote on the issue (unless the bylaws require a higher vote threshold), and that each eligible member is only entitled to vote once. Also, incorporated with the mailing of the notice, eligible members shall be provided with plain language disclosures of material facts and information to be used as a basis for reaching an informed decision to vote on the conversion. The disclosures and ballot shall be submitted to the commissioner for approval. The commissioner may require changes in the disclosures and ballot provided to eligible members to assure full and adequate disclosure prior to the documents being mailed to eligible members.

(d) Conflict of interest. A director, officer, committee member, agent, or senior management employee of the credit union, and immediate family members of such individuals shall not, directly or indirectly, receive a fee, commission, or other consideration, other than that person's usual salary or compensation, for aiding, promoting, or assisting in a conversion under this section.

(e) Continuity of existence. The corporate existence of a credit union converting under this rule shall continue in its successor. Each member shall be entitled to receive a share or deposit account or accounts in the converted institution equal in amount to the value of accounts held in the former credit union subject to any lien or right of offset held by the credit union.

(f) Approval. The commissioner shall approve the conversion if all of the conditions required by this section have been met, unless the commissioner determines the conversion is being made to circumvent a pending supervisory action that is about to be or has been initiated by the commissioner because of a concern over the safety and soundness of the credit union.

(g) Effective date. Once the commissioner has approved the conversion, it shall become effective upon the issuance of a charter or certificate of incorporation from the acquiring state or federal regulatory agency.

Source: The provisions of this §91.1007 adopted to be effective July 2, 2006, 31 TexReg 5077; reviewed and readopted to be effective June 22, 2009, 34 TexReg 4549; reviewed and readopted to be effective June 24, 2013, 38 TexReg 4392.

§91.1008. Conversion Voting Procedures and Restrictions; Filing Requirements.

(a) Voting procedures. Eligible members may vote on a plan of conversion by written ballot either filed in person at a special meeting held on the date set for the vote or mailed by the member. The vote on a conversion proposal must be by secret ballot. Mail balloting must be conducted in accordance with §91.302 of this Chapter.

(b) Definitions.

(1) "Eligible Member" means a member of a credit union who is approved and fully qualified for membership in accordance with the credit union's bylaws and written policies as of the eligibility record date.

(2) "Eligibility Record Date" means the cut off date for determining eligible members, which shall be deemed to be the last day of the month immediately preceding the date the credit union's board of directors notifies members or the public that it is contemplating a conversion.

(c) Voting ballots. All ballots must include the following:

(1) The name of the credit union and the name of the proposed institution if the conversion is approved. This information may be incorporated into the body of the voting options;

- (2) The date and time by which the ballot must be received if mailed; and
- (3) The following statements, printed in a manner acceptable to the commissioner:
 - (A) The conversion will be decided by a majority of credit union members who vote on the issue (unless the bylaws require a higher vote threshold);
 - (B) Once a vote has been cast, it may not be changed; and
 - (C) A “yes” vote means the credit union will become a (insert conversion entity type) and a “no” vote means the credit union will remain a (insert state or federal) credit union.
 - (D) Vote certification. Within ten business days following a vote on a plan of conversion, the credit union shall file with the department a certified copy of a resolution of the board of directors stating that voting on the conversion has been completed in accordance with this section and setting out the following information:
 - (1) The total number of members eligible to vote;
 - (2) The number of eligible members who voted (either at the special meeting or by mail); and
 - (3) The total number of votes cast in favor and against the plan of conversion.

Source: The provisions of this §91.1008 adopted to be effective July 2, 2006, 31 TexReg 5078; reviewed and readopted to be effective June 22, 2009, 34 TexReg 4549; reviewed and readopted to be effective June 24, 2013, 38 TexReg 4392.

Subchapter K. (Reserved)

[This Chapter is Vacant and Reserved for Future Use]

Subchapter L. Submission of Comments by Interested Parties

§91.3001. Opportunity To Submit Comments On Certain Applications.

- (a) An interested party may submit comments to the commissioner on the following matters:
 - (1) an application for incorporation under the Texas Finance Code, Section 122.001;
 - (2) an amendment to a credit union’s articles of incorporation under the Texas Finance Code, Section 122.011, which includes an amendment to expand the credit union’s field of membership; or
 - (3) an application to merge or consolidate under the Texas Finance Code, Section 122.152.
- (b) An interested party is a person or entity that has an interest in particular to the application other than as a member of the general public.
- (c) Acceptance of comments under this section does not constitute a determination of standing to protest or otherwise participate in a contested case hearing on the application.
- (d) Comments may be made in writing or provided in a meeting with the commissioner or deputy commissioner, as follows:
 - (1) written comments shall be submitted within 30 days after notice of the application is published in the Texas Register or the department’s newsletter, whichever is later;
 - (2) a meeting to receive comments shall be held upon written request by an interested party or upon the commissioner’s direction.

Source: The provisions of this §91.3001 adopted to be effective May 10, 1998, 23 TexReg 4568; readopted to be effective November 19, 2001, 26 TexReg 9934; readopted to be effective June 20, 2005, 30 TexReg 3882; reviewed and readopted to be effective June 22, 2009, 34 TexReg 4549; reviewed and readopted to be effective June 24, 2013, 38 TexReg 4392.

§91.3002. Conduct Of Meetings To Receive Comments.

(a) Meetings to receive comments under 91.3001 of this title (relating to opportunities to submit comments on certain applications) will be conducted in the following manner:

(1) a written request for a meeting to receive comments must be received by the department within 30 days after publication of the notice of the application and shall contain the following:

(A) the identity of the requestor, including the name of a natural person who represents a business entity or other association, mailing address, daytime telephone number, and a facsimile number if any;

(B) the name of the application and type of application;

(C) a description of the requestor's interest in the application; and

(D) a list of at least three dates and times within 30 days after the date of publication of notice of application, which are available for the meeting.

(2) the meeting will be scheduled and may be rescheduled, if necessary, by the commissioner to occur after at least three business days' notice by telephone, facsimile, or mail;

(3) one meeting may be scheduled to receive comments from more than one interested party, at the discretion of the commissioner;

(4) a limit on the length and other conditions for the conduct of the meeting may be imposed by the commissioner, and the conditions will be stated in the notice of the meeting;

(5) the meeting may be conducted by telephone with the consent of the interested party; and

(6) the department is not required to make a record of the meeting.

(b) An interested party who fails to attend a meeting scheduled for the party's benefit may submit written comments within three days after the date scheduled for the meeting, but the commissioner is not required to schedule another meeting.

(c) The purpose of the meeting is only to receive comments, and no decision, preliminary or otherwise, will be made at the meeting.

Source: The provisions of this §91.3002 adopted to be effective May 10, 1998, 23 TexReg 4568; readopted to be effective November 19, 2001, 26 TexReg 9934; readopted to be effective June 20, 2005, 30 TexReg 3882; reviewed and readopted to be effective June 22, 2009, 34 TexReg 4550; reviewed and readopted to be effective June 24, 2013, 38 TexReg 4392.

Subchapter M. Electronic Operations

§91.4001. Authority to Conduct Electronic Operations.

(a) A credit union may use, or participate with others to use, electronic means or facilities to perform any function or provide any product or service as part of an authorized activity. Electronic means or facilities include, but are not limited to, automated teller machines, automated loan machines, personal computers, the Internet, the World Wide Web, telephones, and other similar electronic devices.

(b) To optimize the use of its resources, a credit union may market and sell, or participate with others to market and sell, electronic capacities and by-products to others, provided the credit union acquired or developed these capacities and by-products in good faith as part of providing financial services to its members.

(c) If a credit union uses electronic means and facilities authorized by this rule, the credit union's board of directors must require staff to:

- (1) Identify, assess, and mitigate potential risks and establish prudent internal controls, and system backup procedures; and
- (2) Implement security measures designed to ensure secure operations. Such measures should take into consideration:
 - (A) the prevention of unauthorized access to credit union records and credit union members' records;
 - (B) the prevention of financial fraud through the use of electronic means or facilities; and
 - (C) compliance with applicable security device requirements for teller machines contained elsewhere in Chapter 91.
- (d) All credit unions engaging in such electronic activities must comply with all applicable state and federal laws and regulations as well as address all safety and soundness concerns.
- (e) A credit union shall review, on at least an annual basis, its system backup procedures for all electronic activities.
- (f) A credit union shall not be considered doing business in this State solely because it physically maintains technology, such as a server, in this State, or because the credit union's product or services are accessed through electronic means by members located in this State.
- (g) A credit union that shares electronic space, including a co-branded web site, with a credit union affiliate, or another third-party must take reasonable steps to clearly and conspicuously distinguish between products and services offered by the credit union and those offered by the credit union's affiliate, or the third-party.

Source: The provisions of this §91.4001 adopted to be effective May 11, 2000, 25 TexReg 3953; amended to be effective December 8, 2002, 27 TexReg 11074; amended to be effective March 13, 2006, 31 TexReg 1648; reviewed and readopted to be effective October 19, 2009, 34 TexReg 7657; reviewed and readopted to be effective October 21, 2013, 38 TexReg 7735.

§91.4002. Transactional Web Site Notice Requirement; and Security Review.

- (a) A credit union must file a written notice with the commissioner at least 30 days before it establishes a transactional web site. The notice must:
 - (1) Include an address for and a description of the transactional features of the web site;
 - (2) Indicate the date the transactional web site will become operational; and
 - (3) List a contact person familiar with the deployment, operation, and security of the transactional web site.
- (b) For the purposes of this chapter a transactional web site is an Internet site that enables users to conduct financial transactions such as accessing an account, obtaining an account balance, transferring funds, processing bill payments, opening an account, applying for or obtaining a loan, or purchasing other authorized products or services.
- (c) Credit unions, which have a transactional web site, must provide for a review of the adequacy of the web site's security measures at least once every two years. The scope of the review should cover the adequacy of physical and logical protection against unauthorized access including denial of service and other forms of electronic access. If the credit union outsources this technology platform, it can rely on testing performed for the service provider to the extent it satisfies the scope requirements of this subsection.

Source: The provisions of this §91.4002 adopted to be effective May 13, 1999, 24 TexReg 3475; amended to be effective December 8, 2002, 27 TexReg 11075, amended to be effective March 13, 2006, 31 TexReg 1648; reviewed and readopted to be effective October 19, 2009, 34 TexReg 7657; reviewed and readopted to be effective October 21, 2013, 38 TexReg 7735.

Subchapter N. Emergency or Permanent Closing of Office or Operation

§91.5001. Emergency Closing.

(a) If the officer in charge of a credit union determines that an emergency that affects or may affect one or more of the credit union's offices or operations exists or is impending, the officer may determine:

(1) not to conduct the involved operations or open the offices on any normal business day of the credit union until the emergency has passed; or

(2) if the credit union is open, to close the offices or the involved operations for the duration of the emergency.

(b) Subject to subsection (c) of this section, a closed office or operation may remain closed until the officers determine that the emergency has ended and for any additional time reasonably required to reopen.

(c) A credit union that closes an office or operation under this section shall notify the commissioner of its action by any means available and as promptly as conditions permit. An office or operation may not be closed for more than three consecutive days, excluding days on which the credit union is customarily closed, without the commissioner's written approval.

(d) Each credit union shall maintain on file with the department a report of emergency contact information pertaining to its officers, directors, and committee members in such form as the commissioner may prescribe.

(e) In this chapter, the following words and terms shall have the following meanings:

(1) Emergency – means a condition or occurrence that physically interferes with the conduct of normal business at the offices of a credit union or of a particular credit union operation or that poses an imminent or existing threat to the safety or security of persons, property, or both. The term includes a condition or occurrence arising from:

(A) fire, flood, earthquake, hurricane, tornado, or wind, rain, ice or snow storm;

(B) labor dispute or strike;

(C) disruption or failure of utilities, transportation, communication or information systems and any applicable backup systems;

(D) shortage of fuel, housing, food, transportation, or labor;

(E) robbery, burglary, or attempted robbery or burglary;

(F) epidemic or other catastrophe; or

(G) riot, civil commotion, enemy attack, or other actual or threatened act of lawlessness or violence.

(2) Officer in charge – means the president of the credit union, or a person designated by the president, who shall have the authority to take all necessary and appropriate actions to deal appropriately with the emergency. The president of a credit union shall always have an individual designated as an officer in charge during his/her absence or unavailability.

Source: The provisions of this §91.5001 adopted to be effective August 9, 1999, 24 TexReg 6026; readopted to be effective August 2, 2002, 27 TexReg 6874, amended to be effective March 13, 2006, 31 TexReg 1649; reviewed and readopted to be effective October 19, 2009, 34 TexReg 7657; reviewed and readopted to be effective October 21, 2013, 38 TexReg 7735.

§91.5002. Effect of Closing.

A day on which a credit union or one or more of its operations is closed during its normal business hours as provided by §91.5001 of this title (relating to Emergency Closings) shall be deemed a legal holiday for all purposes with respect to any credit union business affected by the closed credit union or credit union operation.

Source: The provisions of this §91.5002 adopted to be effective August 9, 1999, 24 TexReg 6026; readopted to be effective August 2, 2002, 27 TexReg 6874; amended to be effective March 13, 2006, 31 TexReg 1649; reviewed and readopted to be effective October 19, 2009, 34 TexReg 7657; reviewed and readopted to be effective October 21, 2013, 38 TexReg 7735.

§91.5005. Permanent Closing of an Office.

A credit union may permanently close any of its established offices or service facilities. The credit union shall provide notice to its members and the department no later than 60 days prior to the proposed closing. The credit union shall also post a notice to members in a conspicuous manner on the premises of the effected office or service facility at least 30 days prior to the proposed closing.

Source: The provisions of this §91.5005 adopted to be effective March 13, 2006, 31 TexReg 1649; reviewed and readopted to be effective October 19, 2009, 34 TexReg 7657; reviewed and readopted to be effective October 21, 2013, 38 TexReg 7735.

Subchapter O. Trust Powers

§91.6001. Fiduciary Duties.

A credit union must conduct its trust operations in accordance with applicable law, and must exercise its fiduciary powers in a safe and sound manner. All fiduciary activities shall be under the direction of the credit union's board of directors. In carrying out its responsibilities, the board may assign, by action duly entered in the minutes, any function related to the exercise of fiduciary powers to any director, officer, employee, or committee thereof.

Source: The provisions of this §91.6001 adopted to be effective August 10, 2003, 28 TexReg 6270; readopted to be effective November 11, 2007, 32 TexReg 7936; reviewed and readopted to be effective October 24, 2011, 36 TexReg 7570.

§91.6002. Fiduciary Capacities.

A credit union is subject to this chapter if it acts in a fiduciary capacity. A credit union acts in a fiduciary capacity when it acts in any of the following capacities:

- (1) Trustee.
- (2) Custodian.
- (3) Executor.
- (4) Administrator.
- (5) Guardian.
- (6) Receiver.

Source: The provisions of this §91.6002 adopted to be effective August 10, 2003, 28 TexReg 6270; readopted to be effective November 11, 2007, 32 TexReg 7936; reviewed and readopted to be effective October 24, 2011, 36 TexReg 7570.

§91.6003. Notice Requirements.

(a) Intent. A credit union is required to notify the commissioner in writing of its intent to exercise fiduciary powers, at least 31 days prior to the anticipated commencement date of such fiduciary activities. The notice must contain:

- (1) A statement describing the fiduciary powers that the credit union will exercise;
- (2) An opinion of counsel that the proposed activities do not violate law, including citations to applicable law;
- (3) A statement that the capital of the credit union is not less than the capital required by law of other financial institutions exercising comparable fiduciary powers;
- (4) Sufficient biographical information on proposed trust management personnel to enable the Department to assess their qualifications; and
- (5) A description of the locations where the credit union will conduct fiduciary activities.

(b) Prior Activity. A credit union that has initiated trust activities prior to the effective date of this rule shall file the notice prescribed in subsection (a) by October 1, 2003.

Source: The provisions of this §91.6003 adopted to be effective August 10, 2003, 28 TexReg 6270; readopted to be effective November 11, 2007, 32 TexReg 7936; reviewed and readopted to be effective October 24, 2011, 36 TexReg 7570.

§91.6004. Exercise of Fiduciary Powers.

(a) Supervisory Review. Unless otherwise notified by the department, a credit union may exercise its fiduciary powers on the 30th day after the credit union receives written confirmation from the Department that the notice required under Section 91.6003 of this title (relating to Notice Requirements) is complete and accepted for filing. The Department will consider the following factors when reviewing such a notice:

- (1) The credit union's financial condition.
- (2) The credit union's capital and whether that capital is sufficient under the circumstances.
- (3) The credit union's overall performance.
- (4) The fiduciary powers the credit union proposes to exercise.
- (5) The availability of legal counsel.
- (6) The experience and expertise of proposed trust management personnel.
- (7) The needs of the members to be served.

- (8) Any other facts or circumstances that the Department considers appropriate.
- (b) **Written Notice.** Prior to expiration of the 30 day period referred to in subsection (a), the commissioner may give the credit union written notice of denial or consent, subject to certain conditions.
- (c) **Acceptance of Conditions.** Commencement of the exercise of fiduciary powers constitutes confirmation of acceptance of all conditions imposed by the commissioner under subsection (b) and shall be considered an enforceable agreement against the credit union for all purposes.

Source: The provisions of this §91.6004 adopted to be effective August 10, 2003, 28 TexReg 6270; readopted to be effective November 11, 2007, 32 TexReg 7936; reviewed and readopted to be effective on October 24, 2011, 36 TexReg 7570.

§91.6005. Exemption from Notice.

A credit union does not need to provide notice under section 91.6003 (relating to notice requirements) to act as a trustee or custodian of any form of retirement, pension, profit sharing or deferred income accounts for its members, pension funds of self-employed individuals eligible for membership and pension funds of a company or organization whose employees are eligible for membership in the credit union if acting as such will only involve holding the funds on deposit and reporting information to the account holders and government agencies. All contributions to such fiduciary accounts, however, must be initially made to a share or deposit account in the credit union and the credit union may not directly or indirectly provide any investment advice for such fiduciary accounts.

Source: The provisions of this §91.6005 adopted to be effective August 10, 2003, 28 TexReg 6271; readopted to be effective November 11, 2007, 32 TexReg 7936; reviewed and readopted to be effective October 24, 2011, 36 TexReg 7570.

§91.6006. Policies and Procedures.

A credit union exercising trust powers shall adopt and follow written policies and procedures adequate to maintain its fiduciary activities in compliance with applicable law. Among other relevant matters, the policies and procedures should address, where appropriate, the credit union's:

- (1) Brokerage placement practices;
- (2) Methods for ensuring that fiduciary officers and employees do not use material inside information in connection with any decision or recommendation to purchase or sell any security;
- (3) Methods for preventing self-dealing and conflicts of interest;
- (4) Selection and retention of legal counsel who is readily available to timely review trust instruments or other documents creating the credit union's fiduciary status and advise the credit union and its fiduciary officers and employees on all fiduciary related matters; and
- (5) Investment of funds held as fiduciary, including short-term investments and the treatment of fiduciary funds awaiting investment or distribution.

Source: The provisions of this §91.6006 adopted to be effective August 10, 2003, 28 TexReg 6271; readopted to be effective November 11, 2007, 32 TexReg 7936; reviewed and readopted to be effective October 24, 2011, 36 TexReg 7570.

§91.6007. Review of Fiduciary Accounts.

- (a) Pre-acceptance review. Before accepting a fiduciary account, a credit union shall review the prospective account and related instruments and documents to determine whether it can properly administer the account.
- (b) Initial post-acceptance review. Upon the acceptance of a fiduciary account for which a credit union has investment discretion, the credit union shall conduct a prompt review of all assets of the account to evaluate whether they are appropriate for the account.
- (c) Annual review. At least once during every calendar year, a credit union shall conduct a review of all assets of each fiduciary account for which the credit union has investment discretion to evaluate whether they are appropriate, individually and collectively, for the account.

Source: The provisions of this §91.6007 adopted to be effective August 10, 2003, 28 TexReg 6271; readopted to be effective November 11, 2007, 32 TexReg 7936; reviewed and readopted to be effective October 24, 2011, 36 TexReg 7570.

§91.6008. Recordkeeping.

A credit union shall adequately document the establishment and termination of each fiduciary account and shall maintain adequate records for all fiduciary accounts. All records pertaining to a fiduciary account shall be separate and distinct from other records of the credit union.

Source: The provisions of this §91.6008 adopted to be effective August 10, 2003, 28 TexReg 6271; readopted to be effective November 11, 2007, 32 TexReg 7936; reviewed and readopted to be effective October 24, 2011, 36 TexReg 7570.

§91.6009. Audit.

At least once during each calendar year, a credit union shall arrange for a suitable audit by a certified public accountant in accordance with generally accepted standards for attestation engagement. The audit must ascertain whether the credit union's internal control policies and procedures provide reasonable assurance of three things:

- (1) The credit union is administering fiduciary activities in accordance with applicable law and the trust instrument or other documents creating the fiduciary responsibility;
- (2) The credit union is properly safeguarding fiduciary assets; and
- (3) The credit union is accurately recording transactions in appropriate accounts in a timely manner.

Source: The provisions of this §91.6009 adopted to be effective August 10, 2003, 28 TexReg 6271; readopted to be effective November 11, 2007, 32 TexReg 7936; reviewed and readopted to be effective October 24, 2011, 36 TexReg 7570.

§91.6010. Custody of Fiduciary Assets.

- (a) A credit union shall place assets of fiduciary accounts in the joint custody or control of not fewer than two the fiduciary officers or employees designated for that purpose by the board of directors.

(b) A credit union shall keep assets of fiduciary accounts separate from the assets of the credit union. Except as otherwise authorized by applicable law and as may be in the best interests of the beneficiaries of the fiduciary account, a credit union shall keep assets of each fiduciary account separate from all other accounts.

Source: The provisions of this §91.6010 adopted to be effective August 10, 2003, 28 TexReg 6271; readopted to be effective November 11, 2007, 32 TexReg 7936; reviewed and readopted to be effective October 24, 2011, 36 TexReg 7570.

§91.6011. Trust Funds.

All monies received by a credit union as fiduciary on trust business shall be deposited in a specially designated account or accounts, shall not be commingled with any funds of the credit union and shall remain on deposit until disbursed or invested in accordance with powers and duties of the credit union in its capacity as such fiduciary.

Source: The provisions of this §91.6011 adopted to be effective August 10, 2003, 28 TexReg 6271; readopted to be effective November 11, 2007, 32 TexReg 7936; reviewed and readopted to be effective October 24, 2011, 36 TexReg 7570.

§91.6012. Compensation, Gifts, and Bequests.

A credit union may not permit its directors, officers, or employees to retain any compensation for acting as co-fiduciary with the credit union in the administration of a fiduciary account, except with the specific approval of the board of directors. In addition, a credit union may not permit any fiduciary officer or employee to accept a bequest or gift of fiduciary assets, unless the bequest or gift is directed or made by a relative of the director, officer, or employee or is specifically approved by the board of directors.

Source: The provisions of this §91.6012 adopted to be effective August 10, 2003, 28 TexReg 6271; readopted to be effective November 11, 2007, 32 TexReg 7936; reviewed and readopted to be effective October 24, 2011, 36 TexReg 7570.

§91.6013. Bond Coverage.

A credit union is required to maintain a bond for protection and indemnity of members, in reasonable amounts against dishonesty, fraud, defalcation, forgery, theft, embezzlement, and other similar insurable losses with an insurance or surety company authorized to do business in this state. Coverage against such losses shall include all agents who do not otherwise provide protection and indemnity for the credit union, directors, officers, and employees of the credit union acting independently or in collusion or combination with any person or persons whether or not they draw salary or compensation.

Source: The provisions of this §91.6013 adopted to be effective August 10, 2003, 28 TexReg 6271; readopted to be effective November 11, 2007, 32 TexReg 7936; reviewed and readopted to be effective October 24, 2011, 36 TexReg 7570.

§91.6014. Errors and Omissions Insurance.

The credit union shall procure errors and omission insurance of at least five hundred thousand dollars.

Source: The provisions of this §91.6014 adopted to be effective August 10, 2003, 28 TexReg 6271; readopted to be effective November 11, 2007, 32 TexReg 7936; reviewed and readopted to be effective October 24, 2011, 36 TexReg 7570.

§91.6015. Litigation File.

A credit union shall keep an adequate record of all pending litigation to which it is a party in connection with its exercise of fiduciary powers.

Source: The provisions of this §91.6015 adopted to be effective August 10, 2003, 28 TexReg 6271; readopted to be effective November 11, 2007, 32 TexReg 7936; reviewed and readopted to be effective October 24, 2011, 36 TexReg 7570.

Subchapter P. Other Forms of Equity Capital

§91.7000. Certificates of Indebtedness.

(a) General. No credit union may issue certificates of indebtedness pursuant to this section or amend the terms of such certificates unless it has obtained a written letter from the commissioner stating that the commissioner does not object (“non-objection letter”). All requirements of the provisions of this section must be met before a non-objection letter will be issued.

(b) Form of application; supporting information. Applications must be in the form prescribed by the commissioner and shall include all information and exhibits required by the application instructions.

(c) Requirements as to certificates. Certificates of Indebtedness issued pursuant to this section shall meet all of the following requirements:

(1) Form of certificate. Each certificate evidencing subordinated debt issued by a credit union pursuant to this section shall:

(A) Bear on its face, in bold-face type, the following legends:

(i) “This certificate is not a share account or deposit and it is not insured by the United States or any other insuring organization or fund”; and

(ii) “This certificate is not eligible for purchase by any credit union or a credit union service organization thereof without the prior written approval of the Credit Union Commissioner of the State of Texas.”

(B) Clearly state that the certificate –

(i) Is subordinated to all other claims of the credit union’s creditors;

(ii) Is totally unsecured; and

(iii) May not be used as collateral for any loan by the issuing credit union.

(C) Shall include within its terms the right of the issuing credit union to prepay the obligation, which shall, at a minimum, include the right to prepay any amount without premium or penalty any time during the fifteen months prior to the maturity date;

(D) Shall contain the following statement:

“Notwithstanding anything to the contrary in this certificate (or in any related documents); (i) if the NCUA or other insuring organization shall be appointed liquidating agent for the issuer of this certificate (“the issuer”) and in its capacity as such shall cause the issuer to merge with or into another credit union, or in such capacity shall sell or otherwise convey part or all of the assets of the issuer to another credit union or shall arrange for the assumption of less than all of the liabilities of the issuer by one or more credit unions, the NCUA or other insuring organization shall have no obligation, either in its capacity as liquidating agent or in its corporate capacity, to contract for or to otherwise arrange for the assumption of the obligations represented by this certificate in whole or in part by any credit union or credit unions which results from any such merger or which has purchased or otherwise acquired from the NCUA or other insuring organization as liquidating agent for the issuer, any of the assets of the issuer, or which, pursuant to any arrangement with the NCUA or insuring organization, has assumed less than all of the liabilities of the issuer. To the extent that obligations represented by this certificate have not been assumed in full by a credit union with or into which the issuer may have been merged, as described in this paragraph (A), and/or by one or more credit unions which have succeeded to all or a portion of the assets of the issuer, or which have assumed a portion but not all of the liabilities of the issuer as a result of one or more transactions entered into by the NCUA or other insuring organization as liquidating agent for the issuer, then the holder of this certificate shall be entitled to payments on this obligation in accordance with the procedures and priorities set forth in any applicable law. (ii) In the event that the obligation represented by this certificate is assumed in full by another credit union, which shall succeed by merger or otherwise to substantially all of the assets and the business of the issuer, or which shall by arrangement with the NCUA or insuring organization assume all or a portion of the liabilities of the issuer, and payment or provision for shall have been made in respect of all matured installments of interests upon the certificates together with all matured installments of principal on such certificates which shall have become due otherwise than by acceleration, than any default caused by the appointment of a liquidating agent for the issuer shall be deemed to have been cured, and any declaration consequent upon such default declaring the principal and interest on the certificate to be immediately due and payable shall be deemed to have been rescinded. (iii) This certificate is not eligible to be purchased or held by any credit union or credit union service organization thereof. The issuer of this certificate may not recognize on its transfer books any transfer made to a credit union or any credit union service organization thereof and will not be obligated to make any payments of principal or interest on this certificate if the owner of this certificate is a credit union or any credit union service organization thereof.”

(2) Limitations as to term and prepayment.

(A) No certificate of indebtedness issued by a credit union pursuant to this section shall have an original period to maturity of less than seven years. During the first six years that such a certificate is outstanding, the total of all required sinking fund payments, other required prepayments, and required reserve allocations with respect to the portion of such six years as have elapsed shall at no time exceed the original principal amount or original redemption price, thereof multiplied by a fraction, the numerator of which is the number of years that have elapsed since the issuance of the certificate and the denominator of which is the number of years covered by the original period to maturity.

(B) No voluntary prepayment of principal shall be made and no payment of principal shall be accelerated without the approval of the commissioner if the credit union’s net worth ratio is below 6% or, if after giving effect to such payment, the credit union’s net worth ratio would fall below 6%.

(d) Offering circular. The credit union shall submit the proposed offering circular to the Department. The offering circular must state the following in bold print:

“These certificates have not been approved by the Texas Credit Union Department nor has the Texas Credit Union Department approved this offering circular.”

(e) Supervisory objection. Generally, the commissioner will not issue a non-objection letter where:

(1) The proposed issue fails to transfer risk away from the National Credit Union Share Insurance Fund or other insuring organization and onto the certificate holders.

(2) Information submitted in connection with the application or otherwise available to the Department indicates that the credit union will not be able to service the proposed debt. Evaluation of the issuer’s ability to service debt should be prospective, based upon the issuer’s business plan.

(3) The ratio of subordinated debt included as equity capital to the credit union’s net worth requirements exceeds one-third, after giving effect to the proposed issue.

(4) The proposed deployment of the proceeds of the proposed issue is contrary to the credit union’s business plan, is unrealistic in its assumptions, or is inconsistent with the principles of safety and soundness.

(5) The credit union has failed to comply with the terms and conditions imposed upon previous subordinated debt issuances, or has failed to comply with any outstanding enforcement action, written agreement or any other significant supervisory requirement.

(f) Additional requirements. The commissioner may impose on the credit union such requirements or conditions with regard to certificates or the offering or issuance thereof as the commissioner may deem necessary or desirable for the protection of purchasers, the credit union, the National Credit Union Share Insurance Fund, or other insuring organization, as the case may be.

(g) Limitation on offering period. Following the date of the issuance of a non-objection letter, the credit union shall have an offering period of not more than one year in which to complete the sale of the certificates of indebtedness issued pursuant to this section. The commissioner may in his discretion extend such offering period if a written request showing good cause for such extension is filed with the Department not later than 30 days before the expiration of such offering period or any previous extension thereof.

(h) Policies and Procedures. Before any offers or sales of the certificates are made on the premises of the credit union or its credit union service organization, the credit union shall submit to the Department a set of policies and procedures for such sale of certificates that is satisfactory to the Department.

(i) Records. A credit union shall establish and maintain certificate of indebtedness documentation practices and records that demonstrate the credit union appropriately administers and monitors certificate of indebtedness-related activities. The credit union’s records should adequately evidence ownership, balances, and all transactions involving each certificate. The credit union may maintain records on certificate of indebtedness activities in any format that is consistent with standard business practices.

(j) Disclosures.

(1) In connection with the purchase of a certificate of indebtedness by a person from the issuing credit union or its credit union service organization, the credit union and/or the credit union service organization must disclose to the person that:

(A) The certificate of indebtedness is not a share or deposit;

(B) The certificate of indebtedness is not insured by the National Credit Union Share Insurance Fund or any other insuring organization;

(C) There is investment risk associated with the certificate of indebtedness, including the possible loss of value; and

(D) The credit union may not condition an extension of credit on a person's purchase of a certificate of indebtedness.

(2) The disclosures required by paragraph (1) above must be provided orally and in writing before the completion of the sale of a certificate of indebtedness. If the sale of a certificate of indebtedness is conducted by telephone, the credit union may provide the written disclosure required by paragraph (1) by mail within three business days beginning the first business day after the sale, solicitation, or offer.

(3) A credit union may provide the written disclosures required by paragraph (1) through electronic media instead of on paper, if the person affirmatively consents to receiving the disclosures electronically and if the disclosures are provided in a format that the person may retain or obtain later, for example, by printing or storing electronically (such as by downloading).

(4) The disclosures provided shall be conspicuous and designed to call attention to the nature and significance of the information provided.

(k) Sales Activities. A credit union must, to the extent practicable:

(1) Keep the area where the credit union conducts transactions involving certificate of indebtedness physically segregated from areas where shares and deposits are routinely accepted from members;

(2) Identify the area where certificate of indebtedness activities occur; and

(3) Clearly delineate and distinguish those areas from the areas where the credit union's share- and deposit-taking activities occur.

(l) Referrals. Any person who accepts deposits from members in an area where such transactions are routinely conducted in a credit union may refer a member who seeks to purchase a certificate of indebtedness to a qualified person who sells that product only if the person making the referral receives no additional compensation for making the referral.

(m) Reports. Within 30 days after completion of the sale of the subordinated debt issued pursuant to this section, the credit union shall transmit a written report to the Department stating the number of purchases, the total dollar amount of certificates sold, and the amount of net proceeds received by the credit union. The credit union's report shall clearly state the amount of subordinated debt, net of all expenses that the credit union intends to have counted as equity capital. In addition, the credit union, shall submit to the Department, certification of compliance with all applicable laws and regulations in connection with the offering, issuance, and sale of the certificates.

(n) Equity capital. When a certificate of indebtedness has a remaining maturity of 5 years, the amount of the certificates that may be considered equity capital shall be reduced by a minimum of 20% of the original amount of the certificate per year. The equity capital shall be reduced by a constant monthly amortization to ensure the recognition of subordinated debt is fully amortized when the certificate matures or is prepaid.

(o) Prohibited practices.

(1) A credit union may not engage in any practice or use any advertisement at any office of, or on behalf of, a credit union that could mislead any person or otherwise cause a reasonable person to reach an erroneous belief with respect to:

(A) the fact that a certificate of indebtedness a credit union sells or offers for sale is not insured by the National Credit Union Share Insurance Fund or other insuring organization;

(B) the fact that there is an investment risk, including the potential that principal may be lost and that the certificate may decline in value; or

(C) the fact that the approval of an extension of credit to a person by the credit union or credit union service organization may not be conditioned on the purchase of a certificate of indebtedness from the credit union or credit union service organization.

(2) No credit union shall directly or indirectly:

(A) employ any device, scheme or artifice to defraud,

(B) make any untrue statement of a material fact or omit to state a material fact necessary in order to make statements made, in light of the circumstances under which they were made, not misleading, or

(C) engage in any act, practice, or course of business which operates as a fraud or deceit upon any person, in connection with the purchase or sale of any certificate of indebtedness.

Source: The provisions of this §91.7000 adopted to be effective March 14, 2004, 29 TexReg 2638; reviewed and readopted to be effective June 23, 2008, 33 TexReg 5352; reviewed and readopted to be effective July 18, 2012, 37 TexReg 4958.

Subchapter Q. Access to Confidential Information

§91.8000. Discovery of Confidential Information.

(a) **Policy.** The legislature has determined that certain information is confidential and, with limited exceptions, should not be disclosed. See Texas Finance Code, §126.002. Non-disclosure under this section protects the stability of credit unions by preventing disclosures that could adversely impact the institutions. Inappropriate disclosures can result in substantial harm to credit unions and to those persons and entities (including other financial institutions) that have relationships with them. For example, the department may criticize a credit union in an examination report for a financial weakness that does not currently threaten the solvency of the credit union. If improperly disclosed, the criticism can lead to adverse impacts such as the possibility of a "run," short-term liquidity problems, or volatility in costs of funds, which in turn can exacerbate the problem and cause the failure of the credit union. These failures lead to reduced access to credit and greater risk to depositors. Further, since specific loans may be criticized in an examination report, confidentiality of the information protects the financial privacy of borrowers. Finally, protecting confidential information from disclosure facilitates the free exchange of information between the credit union and the regulator, encourages candor, and promotes regulatory responsiveness and effectiveness. Information that does not fall within the meaning of confidential information as defined in this section may be confidential under other definitions and controlled by other laws, and is not subject to this section.

(b) **Disclosure prohibited.** Pursuant to Finance Code §126.002, the department has an absolute privilege against disclosure of its confidential information. Discovery of confidential information from a person subject to §126.002 must comply with subsection (c) of this section. Only a person to whom confidential information has been released pursuant to §126.002 or this rule may disclose that information to another, and only in accordance with that section and this rule.

(c) **Discovery of confidential information.** A credit union, governmental agency, credit union service organization, service provider, or insuring organization that receives a subpoena or other form of discovery for the release of information that is confidential under §126.002 of the Act shall promptly:

- (1) notify the department of the request;
- (2) provide the department with a copy of the discovery documentation and, if requested by the department, a copy of the requested information; and
- (3) move for a protective order, or its equivalent under applicable rules of procedure.

In addition, prior to the release of confidential information, such credit union, governmental agency, credit union service organization, service provider, or insuring organization must obtain a ruling on its motion in accordance with this section. Confidential information may be released

only pursuant to a protective order, or its equivalent, in a form consistent with that set out in this section and only if a court with jurisdiction has found that:

(A) the party seeking the information has a substantial need for the information;

(B) the information is directly relevant to the legal dispute in issue; and

(C) the party seeking the information is unable without undue hardship to obtain its substantial equivalent by other means.

(d) Discretionary filings by department. On receipt of notice under subsection (c) of this section, the department may take action as may be appropriate to protect confidential information. The department has standing to intervene in a suit or administrative hearing for the purpose of filing a motion for protective order and in camera inspection in accordance with this section.

(e) Motion for protective order, or equivalent, and in camera inspection. The movant shall ask the court to enter an order in accordance with this section regarding the release of confidential information. If necessary to resolve a dispute regarding the confidential status or direct relevance of any information sought to be released, the party seeking the order shall move for an in camera inspection of the pertinent information. Until subject to a protective order, or its equivalent, confidential information may not be released, and, if necessary, the party seeking an order shall request the court officer to deny discovery of such confidential information.

(f) Protective order or equivalent. An order obtained pursuant to the terms of this section must:

(1) specifically bind each party to the litigation, including one who becomes a party to the suit after the order is entered, each attorney of record, and each person who becomes privy to the confidential information as a result of its disclosure under the terms of the order;

(2) describe in general terms the confidential information to be produced;

(3) state substantially the following in the body of the order:

(A) absent court order to the contrary, only the court reporter and attorneys of record in the cause may copy confidential information produced under the order in whole or part;

(B) the attorneys of record are custodians responsible for all originals and copies of confidential information produced under the order and must insure that disclosure is limited to those persons specified in the order;

(C) confidential information subject to the order and all information derived there from may be used only for the purposes of the trial, appeal, or other proceedings in the case in which it is produced;

(D) confidential information to be filed or included in a filing in the case must be filed with the clerk separately in a sealed envelope bearing suitable identification, and is available only to the court and to those persons authorized by the order to receive confidential information, and all originals and copies made of such documents and records must be kept under seal and disclosed only in accordance with the term of the protective order;

(E) confidential information produced under the order may be disclosed only to the following persons and only after counsel has explained the terms of the order to the person who will receive the information and provided that person with a copy of the order;

(i) to a party and to an officer, employee, or representative of a party, to a party's attorneys (including other members and associates of the respective law firms and contract attorneys in connection with work on the case) and, to the extent an attorney of record in good faith determines disclosure is necessary or appropriate for the conduct of the litigation, legal assistants, office clerks and secretaries working under the attorney's supervision;

(ii) to a witness or potential witness in the case;

(iii) to an outside expert retained for consultation or for testimony, provided the expert agrees to be bound by the terms of the order and the party employing the

expert agrees to be responsible for the compliance by its expert with this confidentiality obligation; and

(iv) to the court or to an appellate officer or body with jurisdiction of an appeal in the case;

(F) at the request of the department or a party, only the court, the parties and their attorneys, and other persons the court reasonably determines should be present may attend the live testimony of a witness or discussions or oral arguments before the court that may include confidential information or relate to such confidential information. The parties shall request the court to instruct all persons present at such testimony, discussions, or arguments that release of confidential information is strictly forbidden;

(G) a transcript, including a deposition transcript, that may include confidential information subject to non-disclosure is subject to the order. The party requesting the testimony of a current or former department officer, employee, or agent shall, at its expense, furnish the department a copy of the transcript of the testimony once it has been transcribed.

(H) Upon ultimate conclusion of the case by final judgment and the expiration of time to appeal, or by settlement or otherwise, counsel for each party shall return all copies of every document subject to the order for which the counsel is custodian to the party that produced the confidential information; and

(I) Production of documents subject to the order does not waive a claim of privilege or right to withhold the documents from a person not subject to the order.

(4) Paragraph (3)(A), (B) and (E) - (H) of this subsection are subject to modification by the court for good cause before the conclusion of the proceeding, after giving the department notice and an opportunity to appear.

Source: The provisions of this §91.8000 adopted to be effective March 14, 2004, 29 TexReg 2638; reviewed and readopted to be effective June 23, 2008, 33 TexReg 5352, amended to be effective July 12, 2009, 34 TexReg 4513; reviewed and readopted to be effective July 18, 2012, 37 TexReg 4958.

Title 7

Part VI. Credit Union Department

Chapter 93

ADMINISTRATIVE PROCEEDINGS

CHAPTER 93
Subchapter A. Common Terms

§93.101. Scope; Definitions; Severability.

- (a) This chapter is applicable to contested cases arising under the Texas Credit Union Act.
- (b) The following words and terms, when used in this chapter, shall have the following meanings, unless the context clearly indicates otherwise.
 - (1) ADR -- alternative dispute resolution.
 - (2) ALJ -- administrative law judge employed by the State Office of Administrative Hearings.
 - (3) Application -- shall have the same definition as in 91.101 (Definitions and Interpretations).
 - (4) Contested case -- a proceeding in which the legal rights, duties, or privileges of a party are to be determined by the commissioner or the Commission after an opportunity for adjudicative hearing. A contested case at the Department commences upon the filing of a proper and timely request for hearing.
 - (5) Party -- an applicant, a protestant, a respondent, or department staff, who is admitted as a party.
 - (6) PFD -- a proposal for decision issued by an ALJ.
 - (7) SOAH -- the State Office of Administrative Hearings.
 - (8) TAC -- Texas Administrative Code.
- (c) If any section of this chapter is found to be invalid, the invalidity shall not affect the validity of any other provision of this chapter.

Source: The provisions of this §93.101 adopted to be effective August 10, 1999, 24 TexReg 6027; readopted to be effective November 18, 2002, 27 TexReg 11185; readopted to be effective February 21, 2006, 31 TexReg 1479; reviewed and amended to be effective July 11, 2010, 35 TexReg 5810; reviewed and readopted to be effective February 24, 2014, 39 TexReg 1738.

Subchapter B. General Rules

§93.201. Party Status.

Party status will be conferred on persons or entities with a legal right, duty, privilege, power or current economic interest that may be directly affected by the outcome of the case. In a contested case, each party is entitled to an opportunity for hearing after reasonable notice of not less than 10 days and to respond and present evidence and argument on each issue involved in the case.

Source: The provisions of this §93.201 adopted to be effective August 10, 1999, 24 TexReg 6027; amended to be effective on February 24, 2003, 28 TexReg 1631; readopted to be effective February 21, 2006, 31 TexReg 1479; reviewed and readopted to be effective February 22, 2010, 35 TexReg 2021; reviewed and readopted to be effective February 24, 2014, 39 TexReg 1738.

§93.202. Computation of Time.

Unless otherwise required by law, in computing any period of time set forth in this chapter, the date of the act, event, or default after which the designated period of time begins to run is not to be included. The last day of the period so computed is to be included, unless it is a Saturday, Sunday, or a state legal holiday, in which event the period runs until the end of the next day which is not a Saturday, Sunday, or a state legal holiday. Time limits shall be computed using calendar days rather than business days.

Source: The provisions of this §93.202 adopted to be effective August 10, 1999, 24 TexReg 6027; readopted to be effective November 18, 2002, 27 TexReg 11185; readopted to be effective February 21, 2006, 31 TexReg 1479; reviewed and amended to be effective July 11, 2010, 35 TexReg 5811; reviewed and readopted to be effective February 24, 2014, 39 TexReg 1738.

§93.203. Ex Parte Communications.

(a) Upon receipt of a request for hearing and continuing until the time a motion for rehearing is denied, the time for ruling on such a motion has expired, or the proceeding is otherwise final, the commissioner and members of the commission may not communicate directly or indirectly with any party or a representative of a party in a contested case in connection with any issue of fact or law in the contested case except upon notice and opportunity for each party to participate.

(b) The commissioner and members of the commission may communicate ex parte with employees of the department who did not participate in any hearing in the case in order to utilize special skills or knowledge of the department's staff in evaluating the record in the case. Prohibited ex parte communications shall not include any written communication if the communicator contemporaneously serves copies of the communication on all parties to the contested case.

Source: The provisions of this §93.203 adopted to be effective August 10, 1999, 24 TexReg 6027; readopted to be effective November 18, 2002, 27 TexReg 11185; readopted to be effective February 21, 2006, 31 TexReg 1479; reviewed and readopted to be effective February 22, 2010, 35 TexReg 2021; reviewed and readopted to be effective February 24, 2014, 39 TexReg 1738.

§93.204. Contested Case Hearing; Informal Disposition.

All hearings in contested cases will be conducted by SOAH pursuant to the Administrative Procedures Act and SOAH's procedural rules (1 TAC Chapter 155). At any time during the proceedings, the commissioner may make an informal disposition of a contested case by stipulation of the parties, agreed settlement, consent order, or default.

Source: The provisions of this §93.204 adopted to be effective August 10, 1999, 24 TexReg 6027; readopted to be effective November 18, 2002, 27 TexReg 11185; readopted to be effective February 21, 2006, 31 TexReg 1479; reviewed and amended to be effective July 11, 2010, 35 TexReg 5811; reviewed and readopted to be effective February 24, 2014, 39 TexReg 1738.

§93.205. Notice of Hearing.

(a) A notice of hearing shall include:

(1) A statement of the time, place and nature of the hearing;

(2) A statement of the legal authority and jurisdiction under which the hearing is to be held;

(3) A reference to the particular sections of the statutes and rules involved, including a specific reference to 1 TAC Chapter 155;

(4) A short, plain statement of the matters asserted; and

(5) A description of the relief requested.

(b) At the discretion of the Commissioner, the following language set forth in bold capital letters may be included: **“IF YOU DO NOT FILE A WRITTEN ANSWER OR OTHER WRITTEN RESPONSIVE PLEADING TO THIS NOTICE OF HEARING ON OR BEFORE THE 10TH DAY AFTER THE DATE ON WHICH YOU WERE SERVED WITH THIS NOTICE, OR IF YOU FAIL TO ATTEND THE HEARING, THE COMMISSIONER MAY DISPOSE OF THIS CASE WITHOUT HEARING AND GRANT THE RELIEF SET FORTH IN THIS NOTICE. THE RESPONSE MUST BE FILED IN AUSTIN, TEXAS, WITH THE STAFF OF THE DEPARTMENT AND WITH THE STATE OFFICE OF ADMINISTRATIVE HEARINGS”**.

(c) If a written response is required, the response must be filed with the department and SOAH, and shall specifically admit or deny each of the assertions contained in the notice of hearing. Any assertion not denied will be deemed to be admitted. Failure of a party to timely file a written response as provided in this subsection shall entitle the department to the remedies relating to default set forth in §93.206 of this title (relating to Default).

Source: The provisions of this §93.205 adopted to be effective August 10, 1999, 24 TexReg 6027; readopted to be effective November 18, 2002, 27 TexReg 11185; readopted to be effective February 21, 2006, 31 TexReg 1479; reviewed and amended to be effective July 11, 2010, 35 TexReg 5811; reviewed and readopted to be effective February 24, 2014, 39 TexReg 1738.

§93.206. Default.

(a) If the parties in a contested case fail to file a written response as provided in §93.205 of this title (relating to Notice of Hearing), or fail to appear in person or through a legal representative on the date and at the time set for the hearing of the case, the commissioner may make an informal disposition of the case by default.

(b) In a case of default, the ALJ assigned to a contested case shall promptly grant the department’s motion for remand for informal disposition.

(c) Prior to issuing a default order, the commissioner must find that notice was properly served on the defaulting party as prescribed by §93.207(a) of this title (relating to Service of Documents on Parties), and that the notice contained the language prescribed in §93.205(b) of this title. The default order may grant the relief requested in the notice of hearing and may deem admitted the matters set forth in the notice.

(d) Upon the motion of a party, the commissioner may, for good cause shown, set aside a default order and reschedule a hearing with SOAH. A motion to set aside a default order shall be filed with the commissioner not later than the 10th day after the date the party is served with the default order. If the commissioner does not, rule on the motion in writing within ten days after the motion is filed, the motion shall be considered denied by operation of law.

Source: The provisions of this §93.206 adopted to be effective August 10, 1999, 24 TexReg 6027; readopted to be effective November 18, 2002, 27 TexReg 11185; readopted to be effective February 21, 2006, 31 TexReg 1479; reviewed and amended to be effective July 11, 2010, 35 TexReg 5812; reviewed and readopted to be effective February 24, 2014, 39 TexReg 1738.

§93.207. Service of Documents on Parties.

(a) Unless otherwise specified in this chapter, notice to a party or a party's representative in a contested case shall be by hand-delivery, by facsimile transmission, by email if all parties agree, or by regular, certified or registered mail, to the party's last known address. Service by mail shall be complete when the properly addressed document is deposited in a post office or official depository under the care and custody of the United States Postal Service.

(b) A certificate by a party, who files a pleading stating that it has been served on all other parties, is prima facie evidence of service.

Source: The provisions of this §93.207 adopted to be effective August 10, 1999, 24 TexReg 6027; readopted to be effective November 18, 2002, 27 TexReg 11185; readopted to be effective February 21, 2006, 31 TexReg 1479; reviewed and amended to be effective July 11, 2010, 35 TexReg 5812; reviewed and readopted to be effective February 24, 2014, 39 TexReg 1738.

§93.208. Delegation of Authority.

Unless otherwise provided by law, any duty imposed on the commission or the commissioner may be delegated to a duly authorized representative. The provisions of any rule referring to the commission or the commissioner shall be construed to also apply to the duly authorized representative of the commission or the commissioner.

Source: The provisions of this §93.208 adopted to be effective August 10, 1999, 24 TexReg 6027; readopted to be effective November 18, 2002, 27 TexReg 11185; readopted to be effective February 21, 2006, 31 TexReg 1479; reviewed and readopted to be effective February 22, 2010, 35 TexReg 2021; reviewed and readopted to be effective February 24, 2014, 39 TexReg 1738.

§93.209. Subpoenas.

(a) Any party desiring the issuance of a subpoena to compel the appearance of a witness or the production of documents at any hearing shall file a written request with the commissioner setting forth the name and address of the witness, time and place of appearance, and any documents or tangible things sought to be produced. Each request shall contain a statement of the reasons why the subpoena should be issued.

(b) Upon a finding that a party has shown good cause for the issuance of the subpoena, the commissioner shall issue the subpoena as prescribed by Government Code §2001.089. The party requesting the subpoena shall be responsible for the payment of any fees or expenses as set out in Government Code §2001.103.

(c) Within ten days after service of the subpoena or, if the return date is less than ten days after service, before the return date, the person to whom the subpoena is directed may, serve upon the commissioner, the ALJ, and the attorney or party designated in the subpoena, written objection to the appearance or to the inspection or copying of any or all of the designated material. The party serving the subpoena shall have five days to file a written response to the objection. No oral argument shall be heard on the objection unless the commissioner or ALJ directs.

Source: The provisions of this §93.209 adopted to be effective August 10, 1999, 24 TexReg 6027; readopted to be effective November 18, 2002, 27 TexReg 11185; readopted to be effective February 21, 2006, 31 TexReg 1479; reviewed and amended to be effective July 11, 2010, 35 TexReg 5812; reviewed and readopted to be effective February 24, 2014, 39 TexReg 1738.

§93.210. Discovery; Protective Orders; Motions To Compel.

Except as modified by SOAH, parties have the discovery rights set out in the Administrative Procedure Act and the Texas Rules of Civil Procedure (TRCP). If a party or witness is asked to produce information that is exempt or privileged under the TRCP, the party, in addition to filing a written objection under .§93.209(c) of this title (relating to Subpoenas), may make a motion with the ALJ for a protective order. The objecting party must request an *in camera* inspection as set out in 1 TAC §155.251(c)(7). The ALJ shall rule on all objections and motions under this section.

Source: The provisions of this §93.210 adopted to be effective August 10, 1999, 24 TexReg 6027; readopted to be effective November 18, 2002, 27 TexReg 11185; readopted to be effective February 21, 2006, 31 TexReg 1479; reviewed and amended to be effective July 11, 2010, 35 TexReg 5813; reviewed and readopted to be effective February 24, 2014, 39 TexReg 1738.

§93.211. Administrative Record.

(a) A record of all contested case proceedings shall be made as directed by SOAH. The department may assess costs against one or more parties.

(b) If a decision of the commission is appealed or otherwise taken to district court and the department is required to send to the court an original or certified copy of the record of the proceeding, or any part thereof, the appealing party shall pay all of the costs of preparing the record that is to be sent to the reviewing court. If more than one party appeals the decision, the cost of the preparation of the record shall be divided equally among the appealing parties or as agreed by the parties. The ALJ shall prepare and certify the record on behalf of the department and is responsible for transmitting the certified copy to the commissioner.

Source: The provisions of this §93.211 adopted to be effective August 10, 1999, 24 TexReg 602; readopted to be effective November 18, 2002, 27 TexReg 11185; readopted to be effective February 21, 2006, 31 TexReg 1479; reviewed and amended to be effective July 11, 2010, 35 TexReg 5813; reviewed and readopted to be effective February 24, 2014, 39 TexReg 1738.

§93.212. Proposal for Decision.

(a) Following the hearing, the ALJ shall review the evidence and testimony and prepare a PFD which shall include findings of fact and conclusions of law. The ALJ shall also prepare a proposed final order for the commissioner to sign adopting the PFD.

(b) The ALJ shall serve copies of the PFD and proposed final order on all parties of record within 30 days after conclusion of the hearing. The parties may submit exceptions to the PFD and replies to the exceptions. Exceptions, replies to exceptions, and related briefs must be submitted to the ALJ and to the department and, unless otherwise indicated, must be filed within deadlines established by the ALJ. The ALJ may amend the PFD and proposed final order in response to the exceptions, replies, or briefs submitted. If the ALJ makes substantive revisions, the ALJ shall circulate the amended PFD and proposed final order to the parties for additional exceptions and briefs before submitting the PFD and proposed final order to the commissioner.

(c) The ALJ shall submit the PFD and proposed order together with all materials listed in Government Code §2001.060, to the commissioner for review. No additional briefs may be submitted after the case is under submission to the commissioner for decision unless requested by the commissioner. The commissioner may:

- (1) Adopt the PFD and proposed final order, in whole or in part;

- (2) Modify and adopt the PFD and proposed final order, in whole or in part;
 - (3) Decline to adopt the PFD and proposed final order, in whole or in part;
 - (4) Remand for further proceedings by the ALJ, including for the limited purpose of receiving additional briefing or evidence from the parties on specific issues; or
 - (5) Take another lawful and appropriate action with regard to the case.
- (d) The commissioner shall make a final determination within 30 days of the date of receipt of the PFD and proposed final order.

Source: The provisions of this §93.212 adopted to be effective August 10, 1999, 24 TexReg 6027; amended to be effective February 24, 2003, 28 TexReg 1631; readopted to be effective February 21, 2006, 31 TexReg 1479; reviewed and amended to be effective July 11, 2010, 35 TexReg 5813; reviewed and readopted to be effective February 24, 2014, 39 TexReg 1738.

§93.213. Appearances and Representation.

A party may be represented by an attorney or by an authorized representative, if that person observes proper decorum and the instructions of the ALJ. The ALJ may require any person appearing in a representative capacity to provide evidence of authority to appear as the party's representative.

Source: The provisions of this §93.213 adopted to be effective February 24, 2003, 28 TexReg 1632; readopted to be effective February 21, 2006, 31 TexReg 1479; reviewed and amended to be effective July 11, 2010, 35 TexReg 5813; reviewed and readopted to be effective February 24, 2014, TexReg 1738.

§93.214. Recovery of Department Costs.

The ALJ may allocate costs incurred by the department among the parties in accordance with applicable law. Notwithstanding any other provision of this chapter, the ALJ may impose costs that are solely or primarily attributable to a particular party against that party.

Source: The provisions of this §93.214 adopted to be effective July 2, 2006, 31 TexReg 5079; reviewed and readopted to be effective February 22, 2010, 35 TexReg 2021; reviewed and readopted to be effective February 24, 2014, 39 TexReg 1738.

Subchapter C. Appeals of Preliminary Determinations on Applications

§93.301. Finality of Decision; Request for SOAH Hearing; Waiver of Appeal.

(a) The commissioner shall issue a preliminary decision on all applications. Unless a party files a written appeal, the preliminary decision will become final when the time for appeal set out in Finance Code §122.007 or §122.011 expires. If a party submits a written waiver of its right to appeal, the preliminary decision becomes final on receipt of the waiver. If a party files a timely appeal, the commissioner's preliminary decision is withdrawn and the matter will be referred to SOAH. The commissioner may, at the commissioner's sole discretion, refer any matter to SOAH for hearing prior to entering a preliminary decision.

(b) Notwithstanding subsection (a) of this section, if an application is approved without modification, and no protest or comment was received during the notice period, the commissioner may determine that the preliminary decision should become final immediately.

Source: The provisions of this §93.301 adopted to be effective August 10, 1999, 24 TexReg 6027; amended to be effective February 24, 2003, 28 TexReg 1632; readopted to be effective February 21, 2006, 31 TexReg 1479; amended to be effective July 2, 2006, 31 TexReg 5080; reviewed and amended to be effective July 11, 2010, 35 TexReg 5814; reviewed and readopted to be effective February 24, 2014, 39 TexReg 1738.

§93.302. Referral to ADR.

The commissioner may order the parties to participate in non-binding ADR if the commissioner determines that any two of the following conditions are present:

- (1) the parties have not engaged in meaningful negotiation;
- (2) the controversy is reasonably susceptible to compromise or resolution; or
- (3) ADR may produce cost savings.

Source: The provisions of this §93.302 adopted to be effective August 10, 1999, 24 TexReg 6027; readopted to be effective November 18, 2002, 27 TexReg 11185; readopted to be effective February 21, 2006, 31 TexReg 1479; reviewed and readopted to be effective February 22, 2010, 35 TexReg 2021; reviewed and readopted to be effective February 24, 2014, 39 TexReg 1738.

§93.303. Hearings on Applications.

(a) If ADR is not used or if it fails to resolve the controversy, the commissioner shall furnish to the ALJ all information upon which the preliminary decision was based.

In preparing a PFD, the ALJ shall consider this information along with the testimony and documentary evidence presented at the hearing.

(b) **Burden of Proof for Unprotested Applications.** The applicant must prove each of the statutory and regulatory requirements for approval by a preponderance of the evidence.

(c) **Burden of Proof for Protested Applications.** The applicant must prove each of the statutory and regulatory requirements for approval by a preponderance of the evidence. In cases in which field of membership is at issue, the protestant must establish by a preponderance of the evidence that overlapping fields of membership will unreasonably harm the protestant. For the purposes of this section, to constitute “unreasonable harm” an overlap must threaten the protestant’s welfare and stability or its financial viability to such an extent that it would adversely impact its safety and soundness as a credit union.

Source: The provisions of this §93.303 adopted to be effective August 10, 1999, 24 TexReg 6027; amended to be effective February 24, 2003, 28 TexReg 1633; readopted to be effective February 21, 2006, 31 TexReg 1479; reviewed and amended to be effective July 11, 2010, 35 TexReg 5814; reviewed and readopted to be effective February 24, 2014, 39 TexReg 1738.

§93.305. Appeals of All Other Applications for Which No Specific Procedure is Provided by this Title.

If ADR is not used or fails to resolve the controversy, whether the application is protested or unprotested, the applicant has the burden to prove each of the applicable statutory and regulatory requirements for approval by a preponderance of the evidence.

Source: The provisions of this §93.305 adopted to be effective August 10, 1999, 24 TexReg 6027; amended to be effective February 24, 2003, 28 TexReg 1633; readopted to be effective February 21, 2006, 31 TexReg 1479; reviewed and amended to be effective July 11, 2010, 35 TexReg 5815; reviewed and readopted to be effective February 24, 2014, 39 TexReg 1738.

Subchapter D. Appeals of Cease and Desist Orders and Orders of Removal

§93.401. Appeals Of Cease And Desist Orders And Orders Of Removal.

- (a) Unless the board of directors or person affected by the order files a timely written appeal, the commissioner's cease and desist order or order of removal becomes final when the applicable statutory time for appeal expires.
- (b) If a timely request for appeal is filed, the commissioner shall forward the matter to SOAH to set a hearing.
- (c) The hearing on a cease and desist order or order of removal is closed to the public. The orders, correspondence, and records relating thereto, are confidential and cannot be revealed to the public. Parties with access to confidential information during the contested case must sign a confidentiality agreement as provided in §91.8000(f) of this title (relating to Discovery of Confidential Information).
- (d) At the hearing, the commissioner must establish a prima facie case that the statutory or regulatory violations or the unsafe or unsound practices justify the cease and desist order or order of removal.

Source: The provisions of this §93.401 adopted to be effective August 10, 1999, 24 TexReg 6027; amended to be effective February 24, 2003, 28 TexReg 1634; readopted to be effective February 21, 2006, 31 TexReg 1479; reviewed and amended to be effective July 11, 2010, 35 TexReg 5815; reviewed and readopted to be effective February 24, 2014, 39 TexReg 1738.

§93.402. Stays.

Where an order by its terms, by statute, or by these rules will become final before a hearing can be held, any aggrieved party who has filed a timely request for hearing under this chapter may file a written request with the commissioner to stay part or all of the order until the matter has been heard and a final decision issued. The commissioner may grant a stay where the respondent has adequately demonstrated a reasonable defense which might result in the respondent prevailing on the merits at the hearing, the respondent will be irreparably injured in the absence of

the stay, the stay would not substantially or irreparably harm other interested persons, and the stay would not jeopardize the public interest or contravene public policy.

Source: The provisions of this §93.402 adopted to be effective August 10, 1999, 24 TexReg 6027; amended to be effective February 24, 2003, 28 TexReg 1634; readopted to be effective February 21, 2006, 31 TexReg 1479; reviewed and amended to be effective July 11, 2010, 35 TexReg 5815; reviewed and readopted to be effective February 24, 2014, 39 TexReg 1738.

Subchapter E. Appeals of Orders of Conservation

§93.501. Appeals of Orders of Conservation.

- (a) Unless the credit union's former board of directors files a timely written appeal, the commissioner's order of conservation becomes final when the statutory time for appeal expires.
- (b) If a timely request for hearing is filed, the commissioner shall forward the matter to SOAH to set a hearing. The hearing date shall be no earlier than the 11th day and no later than the 30th day after the date on which the appeal is received.
- (c) The credit union's former board of directors has the burden to prove by a preponderance of the evidence that the board should regain control of the credit union.
- (d) The SOAH hearing on an order of conservation is closed to the public. All orders and correspondence relating thereto are confidential and may not be revealed to the public. Parties with access to confidential information during the contested case must sign a confidentiality agreement as provided in §91.8000(f) of this title (relating to Discovery of Confidential Information).
- (e) Parties must file exceptions to the PFD within five days of the date of service of the PFD. Replies to exceptions shall be filed within eight days of the date of service of the PFD.

Source: The provisions of this §93.501 adopted to be effective August 10, 1999, 24 TexReg 6027; readopted to be effective November 18, 2002, 27 TexReg 11185; readopted to be effective February 21, 2006, 31 TexReg 1479; reviewed and amended to be effective July 11, 2010, 35 TexReg 5816; reviewed and readopted to be effective February 24, 2014, 39 TexReg 1738.

§93.502. Retention of Attorney.

In the event a credit union retains an attorney or hires other persons to assist the credit union in contesting or satisfying the requirements of an order of conservation, the commissioner shall authorize the payment of reasonable fees and expenses for such persons as expenses of the conservatorship. In order for the commissioner to determine the reasonableness of the fees and expenses, the credit union must submit a billing statement showing the billable rate, the number of hours claimed, and a detailed description of services performed and related expenses incurred. The credit union may also submit copies of other bids received for the services, research substantiating the reasonableness of the fees charged, or any other evidence the credit union believes may support the reasonableness of the fees and expenses. Any fees or expenses the commissioner deems unreasonable shall not be authorized for payment.

Source: The provisions of this §93.502 adopted to be effective March 14, 2004, 29 TexReg 2639; readopted to be effective February 21, 2006, 31 TexReg 1479; reviewed and readopted to be effective February 22, 2010, 35 TexReg 2021; reviewed and readopted to be effective February 24, 2014, 39 TexReg 1738.

Subchapter F. Appeal of Commissioner's Final Determination to the Commission

§93.601. Appeal to the Commission.

- (a) An aggrieved party may appeal the commissioner's final decision to the Commission. The appeal must be in writing and must be filed within the applicable statutory deadline.
- (b) The appeal must state the identities and interests of the parties, the particular matters complained of, any specific objections, and the action sought from the Commission.
- (c) The Commission shall act on the appeal within the applicable statutory deadline or within sixty days, whichever is earlier.

Source: The provisions of this §93.601 adopted to be effective August 10, 1999, 24 TexReg 6027; amended to be effective February 24, 2003, 28 TexReg 1634; readopted to be effective February 21, 2006, 31 TexReg 1479; reviewed and amended to be effective July 11, 2010, 35 TexReg 5816; reviewed and readopted to be effective February 24, 2014, 39 TexReg 1738.

§93.602. Decision by the Commission.

The Commission shall consider the questions raised in the appeal, as well as any additional matters pertinent to the appeal, whether or not included in the motion for appeal. Decisions by the Commission must be based on testimony and other evidence in the hearing record. The Commission may adopt or decline to adopt, with or without changes, all or part of the commissioner's decision or the ALJ's PFD and the underlying findings of fact and conclusions of law. The Commission may remand the proceeding for further consideration by the commissioner with or without reopening the hearing. The Commission may take any additional actions it considers to be just and reasonable, as permitted by law.

Source: The provisions of this §93.602 adopted to be effective August 10, 1999, 24 TexReg 6027; amended to be effective February 24, 2003, 28 TexReg 1635; readopted to be effective February 21, 2006, 31 TexReg 1479; reviewed and amended to be effective July 11, 2010, 35 TexReg 5816; reviewed and readopted to be effective February 24, 2014, 39 TexReg 1738.

§93.603. Oral Arguments Before the Commission.

Any party wishing to present oral arguments to the Commission must make a written request at least fifteen days before the scheduled Commission meeting. The request must state the length of time the party seeks. The Commission, may grant or deny the request. If the request is granted, the Commission will determine the amount of time allotted and the issues on which oral argument is allowed. The Commission may deny the request for oral argument but request that the parties be present at the meeting at which the case is to be considered to address any questions that Commission members may have.

Source: The provisions of this §93.603 adopted to be effective August 10, 1999, 24 TexReg 6027; amended to be effective February 24, 2003, 28 TexReg 1635; readopted to be effective February 21, 2006, 31 TexReg 1479; reviewed and amended to be effective July 11, 2010, 35 TexReg 5816; reviewed and readopted to be effective February 24, 2014, 39 TexReg 1738.

§93.604. Motion for Rehearing.

- (a) The procedures and deadlines of APA §2001.146 govern the filing of a motion for rehearing with the Commission.
- (b) The Commission by written order may shorten the times for filing motions for rehearing and replies and for Commission action or overruling by operation of law, provided all parties agree in writing to the modifications.

Source: The provisions of this §93.604 adopted to be effective August 10, 1999, 24 TexReg 6027; amended to be effective February 24, 2003, 28 TexReg 1635; readopted to be effective February 21, 2006, 31 TexReg 1479; reviewed and amended to be effective July 11, 2010, 35 TexReg 5817; reviewed and readopted to be effective February 24, 2014, 39 TexReg 1738.

§93.605. Final Decisions and Appeals.

- (a) The Commission's decision is final and appealable:
 - (1) if a motion for rehearing is not filed on time, upon the expiration of the period for filing a motion for rehearing; or
 - (2) if a motion for rehearing is filed on time, on the date the order overruling the motion for rehearing is rendered; or the motion is overruled by operation of law.
- (b) A person who is aggrieved by a final decision of the Commission in a contested case may seek judicial review of the decision. Judicial review of a final decision is under the substantial evidence rule.

Source: The provisions of this §93.605 adopted to be effective August 10, 1999, 24 TexReg 6027; readopted to be effective November 18, 2002, 27 TexReg 11185; readopted to be effective February 21, 2006, 31 TexReg 1479; reviewed and amended to be effective July 11, 2010, 35 TexReg 5817; reviewed and readopted to be effective February 24, 2014, 39 TexReg 1738.

Title 7

Part VI. Credit Union Department

Chapter 95

**SHARE AND DEPOSITOR INSURANCE
PROTECTION**

CHAPTER 95
Subchapter A. Insurance Requirements

§95.100. Definitions.

The following words and terms, when used in this chapter, shall have the following meanings, unless the context clearly indicates otherwise.

- (1) “Act” means the Texas Credit Union Act (Texas Finance Code, Subtitle D).
- (2) “Deposit” means a balance held by a credit union and established by a credit union member, another credit union, a governmental unit, or an authorized nonmember in accordance with standards specified by the credit union, including balances designated as deposits, deposit certificates, checking accounts or accounts by other names. A “deposit” is a debt which earns interest and is owed by the credit union to the account holder.
- (3) “Federally-insured” means insured by the National Credit Union Administration (NCUA) through the National Credit Union Share Insurance Fund (NCUSIF) under Title II of the Federal Credit Union Act (12 USC Section 1781 et. seq.), or its successor.
- (4) “Insuring organization” means a cooperative share insurance fund or a guaranty corporation or credit union that provides aid and financial assistance to credit unions that are in the process of liquidation or are incurring financial difficulty in order that the share and deposit accounts in the credit unions will be protected or guaranteed against loss up to a specified level for each account.
- (5) “Membership share” means a share of the credit union which shall be the balance held by a credit union and established by a member in accordance with standards specified by the credit union. Each member may own only one membership share. In the case of a joint account, the account may serve to represent the membership of each of the joint owners who have applied for and were accepted as members, as long as a full membership share for each joint owner seeking membership is maintained in the account.
- (6) “Participating credit union” means a credit union that has applied for and been admitted to participate in an insuring organization’s program and whose participation has not been terminated.
- (7) “Shares” means a balance held by a credit union and established in accordance with standards specified by the credit union including, but not limited to shares, share accounts, share certificates, share draft accounts or other such accounts. “Shares” may include membership shares. In addition, “shares” earn dividends.

Source: The provisions of this §95.100 adopted to be effective March 7, 2007, 32 TexReg 1064; reviewed and readopted to be effective October 18, 2010, 35 TexReg 9748; reviewed and readopted to be effective October 20, 2014, 39 TexReg 8604.

§95.101. Share and Depositor Insurance Protection.

- (a) Each credit union incorporated under the Act or otherwise authorized to do business in this state shall obtain share and deposit insurance for the protection of its members’ accounts. Such share and deposit guarantee insurance may be obtained from the NCUA through the NCUSIF or from an insuring organization approved by the commissioner, with the advice and consent of the commission.

(b) Any credit union that fails to maintain in full force and effect share and deposit insurance protections as provided in this section shall cease accepting deposits and making loans immediately and shall terminate its corporate existence in this state under such terms and conditions as the commissioner deems appropriate.

Source: The provisions of this §95.101 adopted to be effective March 7, 2007, 32 TexReg 1064; reviewed and readopted to be effective October 18, 2010, 35 TexReg 9748; reviewed and readopted to be effective October 20, 2014, 39 TexReg 8604.

§95.102. Qualifications for an Insuring Organization.

(a) An insuring organization must, at a minimum, demonstrate the following prerequisites and must continue to meet these standards on an ongoing basis, in order to do business in this state:

(1) The insuring organization is authorized to provide share and deposit insurance protection in its state of domicile or in the State of Texas;

(2) The insuring organization is in good standing with the regulatory authorities in its state of domicile;

(3) The insuring organization receives regular examinations from its state of domicile;

(4) The insuring organization has capital which is adequate for its prospective business; and

(5) The insuring organization has loss reserves that are actuarially sound.

(b) In addition to the prerequisites delineated above, the department may scrutinize other data and information as the commissioner deems appropriate, including, but not limited to, demonstrated expertise in insuring credit union shares and deposits.

(c) The department shall have the right to examine the books and records of the insuring organization as part of the approval process. The insuring organization shall be assessed the supplemental examination fee as prescribed in [§97.113](#) of this title (relating to Fees and Charges). The insuring organization shall pay the fee to the department within thirty days of the assessment.

(d) The department may, in approving an insuring organization, impose such written conditions as the commissioner deems reasonable, necessary, or advisable in the public interest.

(e) If an approved insuring organization subsequently fails to meet any of the prerequisite standards or written conditions imposed by the department, the commissioner, in the exercise of discretion, may provide a reasonable period of time for the insuring organization to take corrective actions to bring its operations back into compliance. During this period of corrective action, however, an insuring organization may not contract with any additional credit unions to provide share and deposit insurance protection.

Source: The provisions of this §95.102 adopted to be effective March 7, 2007, 32 TexReg 1064; reviewed and amended to be effective March 10, 2011, 36 TexReg 1657; reviewed and readopted to be effective October 20, 2014, 39 TexReg 8604.

§95.103. General Powers and Duties of an Insuring Organization.

In carrying out its general purposes, an insuring organization may:

(1) guarantee to participating credit unions the payment of any deficiency in an individual member's share or deposit account(s) caused by credit union's insolvency or any other reason;

- (2) issue share and deposit insurance contracts or otherwise effect credit union share guaranty, and enter into other contracts necessary or advisable in the conduct of its business;
- (3) advance funds in accordance with agreed upon lending terms and conditions to aid participating credit unions to operate and to meet liquidity needs;
- (4) upon the written order of the commissioner, and at such compensation as shall be agreed upon, the insuring organization may assume control of the property and business of any participating credit union and operate it at the direction of the commissioner until its financial stability has been reestablished to the satisfaction of the commissioner, or the credit union has been liquidated or merged into another credit union;
- (5) assist in the merger, consolidation, or liquidation of participating credit unions;
- (6) receive money or other property from participating credit unions;
- (7) conduct investigation and audits of any applicant or participating credit union in order to determine the financial and operating condition of the applicant or participating credit union; and
- (8) establish conditions for participation by credit unions, including the establishment of risk eligibility standards.

Source: The provisions of this §95.103 adopted to be effective March 7, 2007, 32 TexReg 1064; reviewed and readopted to be effective October 18, 2010, 35 TexReg 9748; reviewed and readopted to be effective October 20, 2014, 39 TexReg 8604.

§95.104. Notices.

- (a) An insuring organization shall provide written notice to the department of receipt of any application for participation by a credit union. Within 30 days of receipt of the notice, the department will advise the applicant and the insuring organization if it will interpose an objection to the proposal based on safety and soundness concerns. Any such objection must be addressed to the satisfaction of the department before the applicant will be eligible to participate in the insuring organization's program. The insuring organization shall also be responsible for notifying the department of its underwriting decision on any application and advising the department when an applicant has become a participating credit union.
- (b) At least 30-days prior to the effective date of any termination, an insuring organization shall notify the department in writing of any termination, voluntary or involuntary, of a participating credit union.

Source: The provisions of this §95.104 adopted to be effective March 7, 2007, 32 TexReg 1064; reviewed and readopted to be effective October 18, 2010, 35 TexReg 9748; reviewed and readopted to be effective October 20, 2014, 39 TexReg 8604.

§95.105. Reporting.

- (a) Within one hundred days after the close of a fiscal year, an insuring organization shall file with the commissioner annually audited financial statements, prepared in accordance with generally accepted accounting principles covering that fiscal year. The audited financial statements shall be accompanied by an opinion of an independent certified public accountant. In addition, at least once every three years, the audit shall include an actuarial study of the capital adequacy of the insuring organization.

(b) The provisions of this section are in addition to those prescribed in §91.209 of this title (relating to Reports and Charges for Late Filing).

Source: The provisions of this §95.105 adopted to be effective March 7, 2007, 32 TexReg 1064; reviewed and readopted to be effective October 18, 2010, 35 TexReg 9748; reviewed and readopted to be effective October 20, 2014, TexReg 8604.

§95.106. Amount of Insurance Protection.

(a) The primary insured or guaranteed amount for share and deposit accounts of individual members of participating credit unions shall never be less than the corresponding share insurance coverage provided by the NCUSIF or its successor.

(b) With the approval of the commissioner and if authorized by the insuring organization, a participating credit union may, from time to time as determined by its board of directors, issue membership shares that are not guaranteed and are subordinate to all other claims, including creditors, shareholders and the insuring organization.

Source: The provisions of this §95.106 adopted to be effective March 7, 2007, 32 TexReg 1064; reviewed and readopted to be effective October 18, 2010, 35 TexReg 9748; reviewed and readopted to be effective October 20, 2014, 39 TexReg 8604.

§95.107. Sharing Confidential Information.

In order to permit the insuring organization to assess the financial condition and performance of a participating credit union, the department shall, with the consent of such participating credit union, provide to the insuring organization any and all reports of examination conducted by, and orders and determinations issued by, the commissioner regarding that institution.

Source: The provisions of this §95.107 adopted to be effective March 7, 2007, 32 TexReg 1064; reviewed and readopted to be effective October 18, 2010, 35 TexReg 9748; reviewed and readopted to be effective October 20, 2014, 39 TexReg 8604.

§95.108. Examinations.

(a) The department may conduct examinations and investigations within or outside this state to determine whether an insuring organization has engaged, is engaging or is about to engage in any act, practice or transaction which constitutes an unsafe or unsound practice or a violation of any law or rule applicable to the insuring organization.

(b) In lieu of an examination under this section, the commissioner may accept the examination report of another regulator authorized to examine the insuring organization.

Source: The provisions of this §95.108 adopted to be effective March 7, 2007, 32 TexReg 1064, reviewed and readopted to be effective October 18, 2010, 35 TexReg 9748; reviewed and readopted to be effective October 20, 2014, 39 TexReg 8604.

§95.109. Fees and Charges.

(a) An insuring organization shall pay the cost associated with an examination as prescribed in Section 97.113(k) of this title (relating to Foreign Credit Union Examination Fees).

(b) At the sole discretion of the commissioner, the department may engage professionals to perform and complete any aspect of an examination or investigation. The reasonable expenses and compensation of such professionals shall be paid by the insuring organization.

Source: The provisions of this §95.109 adopted to be effective March 7, 2007, 32 TexReg 1064; reviewed and readopted to be effective October 18, 2010, 35 TexReg 9748; reviewed and readopted to be effective October 20, 2014, 39 TexReg 8604.

§95.110. Enforcement; Penalty; and Appeal.

(a) The commissioner may issue a cease and desist order, generally in accordance with Finance Code §122.257(b), (c), (d) and (e), Finance Code, to an officer, employee, director, and/or the insuring organization itself, if the commissioner determines from examination or other credible evidence that the insuring organization has or is operating in an unsafe or unsound manner, or violated or is violating any applicable Texas law or rule of the commission, including causing a credit union to operate in an unsafe or unsound condition as defined by Finance Code §121.002(11)(C). If the insuring organization does not comply with the order, the commissioner may assess an administrative penalty as authorized by Finance Code §122.260, Finance Code, as well as institute procedures to revoke the authority to provide primary share insurance coverage in this state.

(b) An insuring organization may file a notice of appeal of a cease and desist order in accordance with §93.401 of this title (relating to Finality and Request for SOAH Hearing).

Source: The provisions of this §95.110 adopted to be effective July 8, 2007, 32 TexReg 3982; reviewed and readopted to be effective October 18, 2010, 35 TexReg 9748; reviewed and readopted to be effective October 20, 2014, 39 TexReg 8604.

Subchapter B. Liquidating Agents

§95.200. Notice of Taking Possession; Appointment of Liquidating Agent; Subordination of Rights.

(a) The department shall give prompt notice to the NCUA or the applicable insuring organization whenever the commissioner takes possession of the property and assets of a respective federally-insured or participating credit union. The Department shall give further prompt notice whenever the commissioner determines to liquidate the property and assets of such federally-insured or participating credit union.

(b) If the commissioner finds that the closing of a credit union and the liquidation of the credit union's assets are in the public interest and the best interest of the credit union members, depositors, and creditors, the NCUA or, alternatively, the insuring organization shall be appointed liquidating agent for the purpose of liquidation or the winding up of the affairs of the credit union.

(c) When any member's share or deposit account is paid, the NCUA or, alternatively, the insuring organization shall be subrogated to all rights of the member, up to the amount paid by the NCUA or the insuring organization to such member.

Source: The provisions of this §95.200 adopted to be effective November 11, 1999, 24 TexReg 9830; readopted to be effective August 10, 2003, 28 TexReg 6030; amended to be effective March 7, 2007, 32 TexReg 1065; reviewed and readopted to be effective October 18, 2010, 35 TexReg 9748; reviewed and readopted to be effective October 20, 2014, 39 TexReg 8604.

§95.205. State Not Liable for Any Deficiency.

Nothing in this chapter creates any liability upon this state for the payment of any funds to any credit union by reason of the acts or omissions of the NCUA or insuring organization, nor shall the state pay any deficiency of any credit union in the event the NCUA or insuring organization is unable to pay such deficiency.

Source: The provisions of this §95.205 adopted to be effective March 7, 2007, 32 TexReg 1066; reviewed and readopted to be effective October 18, 2010, 35 TexReg 9748; reviewed and readopted to be effective October 20, 2014, 39 TexReg 8604.

Subchapter C. Guaranty Credit Union

§95.300. Share and Deposit Guaranty Credit Union.

(a) The commissioner may authorize, with the advice and consent of the commission, the establishment of a share and deposit guaranty credit union. The charter shall be granted only on proof satisfactory to the commissioner that member credit union convenience and advantage will be promoted by the establishment of the guaranty credit union. In determining whether the convenience and advantage will be promoted, the commissioner shall consider:

(1) Whether the organizational and capital structure and amount of initial capitalization is adequate for the business;

(2) Whether the anticipated volume and nature of business indicates a reasonable probability of success and profitability based on the credit unions sought to be served;

(3) Whether the credit union's guarantee fund and reserves are actuarially reasonable and computed in accordance with accepted loss reserving standards and principles;

(4) Whether the long-term financial condition of the entity would prejudice the interest of participating credit unions;

(5) Whether the proposed officers, directors, and managers have sufficient fiduciary experience, ability, standing, competence, trustworthiness, and integrity to justify a belief that the guaranty credit union will operate in compliance with the law and that the long term success of entity is probable; and

(6) Whether the organizers are acting in good faith.

(b) Prior to commencing business in this state, a guaranty credit union is required to file a written application supported by such information and data as the commissioner may require to make the findings necessary to issue a certification of incorporation. The organizers bear the burden of proof to establish that the incorporation of the guaranty credit union will promote credit union member convenience and advantage. The failure of an applicant to furnish required information, data, professional opinions, and other material is considered an abandonment of the application.

(c) The commissioner may require, for submission to the department of public safety, the name and fingerprints of any organizer, director or officer of any guaranty credit union.

(d) The commissioner may, in approving a guaranty credit union, impose such conditions as the commissioner deems reasonable, necessary, or advisable in the public interest.

Source: The provisions of this §95.300 adopted to be effective November 11, 1999, 24 TexReg 9830; readopted to be effective August 10, 2003, 28 TexReg 6030; amended to be effective March 7, 2007, 32 TexReg 1066; reviewed and readopted to be effective October 18, 2010, 35 TexReg 9748; reviewed and readopted to be effective October 20, 2014, 39 TexReg 8604.

§95.301. Authority for a Guaranty Credit Union.

If a guaranty credit union is authorized, the commissioner shall issue a certificate of incorporation which shall provide that said guaranty credit union shall operate as a central credit union including share and deposit guaranty insurance protection for members subject to supervision, regulation, and examination by the department.

Source: The provisions of this §95.301 adopted to be effective November 11, 1999, 24 TexReg 9830; readopted to be effective August 10, 2003, 28 TexReg 6030; amended to be effective March 7, 2007, 32 TexReg 1066; reviewed and readopted to be effective October 18, 2010, 35 TexReg 9748; reviewed and readopted to be effective October 20, 2014, 39 TexReg 8604.

§95.302. Powers.

The guaranty credit union, pursuant to Texas Finance Code §15.410(b) and to the powers contained in Subtitle D, Title 3, Texas Finance Code, may:

- (1) Purchase, hold, lease, receive, use, encumber, sell, exchange, transfer, lend, advance, convey, assign, give, grant, transmit, hypothecate, or dispose of property or funds of any description, nature, or kind or of any interest, rights, title, or privileges therein from or to any participating credit union or any corporation, association, or person, provided that any gift, grant, or transfer of a similar nature shall be made only with the approval of the commissioner;
- (2) Declare and pay dividends on the membership investment fund;
- (3) Make any type of investment authorized by law for a credit union chartered in this state;
- (4) Act under the order or appointment of any court of record, without giving bond, as guardian, receiver, trustee, executor, administrator, custodian, or as depository for any money paid into the court for participating credit unions;
- (5) Accept funds or money for deposit by fiduciaries, trustees, or receivers if managing or holding funds on behalf of a participating credit union;
- (6) Accept funds or money for deposit by financial institutions, trust companies, or insurance companies, if membership or primary ownership of the institutions, associations, or companies is confined or restricted to or for the benefit of participating credit unions or organizations of participating credit unions, or if the institutions, associations, or companies are designed to serve or otherwise assist operations of participating credit unions;
- (7) Act as custodian of individual retirement accounts or of pension funds of participating credit unions, or as trustee under pension and profit sharing plans of participating credit unions;
- (8) Make deposits, purchase shares, and invest in legally chartered credit unions, trust companies, or other financial institutions;
- (9) Impress a lien or exercise its right of setoff on the deposits, dividends, and interest of any participating credit union to the extent of any loans or other obligations due by the participating credit union;
- (10) Make or issue, with the approval of the commissioner, a guarantee or other form of written assurance to the appropriate person, association, corporation, or other entity which is reasonably necessary to facilitate the sale, conveyance, assignment, transfer, or other disposition of all or any part of the property or assets of a participating credit union, and otherwise assist in the merger, consolidation, conservation, suspension, or liquidation of a participating credit union upon the request and under the instruction of the commissioner;
- (11) Advance funds, with or without interest, in accordance with agreed terms and conditions, to aid participating credit unions to continue to operate and to maintain solvency or to maintain

account balances with any financial institution in connection with the assumption of receivables from a participating credit union, or to meet liquidity requirements;

(12) Purchase from a participating credit union any equitable or other interest in its assets at book value or at some other value mutually agreed upon by such credit union and the board of directors of the guaranty credit union, notwithstanding that either of such values may exceed the market value of the assets so purchased, and upon such terms and conditions as the board of directors of the guaranty credit union may determine, provided, however, that all such terms, conditions, agreements and values are approved in writing by the commissioner;

(13) Exercise any setoff or lien rights that a participating credit union may have when the guaranty credit union is acting as conservator or liquidating agent for such credit union;

(14) Exercise rights of subrogation to the extent of all rights the depositors or shareholders may have against a participating credit union to the extent of any payments made by the guaranty credit union to the depositors or shareholders of such credit union, including the right to receive the same dividends, as would have been payable to the depositor or shareholder;

(15) Raise any defense to the payment of a claim or an insured account which a participating credit union could have raised, and when made, the actual payment of an insured account to any person by the guaranty credit union shall discharge the guaranty credit union to the same extent that payment to such person by the participating credit union would have discharged it from liability for the insured account;

(16) Acquire a promissory note or other asset upon which a nonmember is liable, provided such acquisition is made, in the discretion of the guaranty credit union, to protect an inferior lien held by the guaranty credit union, a participating credit union, member of the guaranty credit union or a member of a participating credit union member of the guaranty credit union. Such acquisitions shall not be subject to the restrictions of §91.701 et. seq. of this title (relating to Loans);

(17) Enter into contracts of insurance or reinsurance, insuring in whole or in part its contractual guarantees to participating credit unions and any other insurance or bonding company contracts necessary or advisable in the conduct of its business, provided a guaranty credit union shall not assume any risks from another insurer; and

(18) Exercise the powers granted corporations organized under the laws of this state and such other additional incidental powers not inconsistent with these sections and Subtitle D, Title 3, Texas Finance Code, as may be necessary to enable the guaranty credit union to promote and carry out effectively its purposes.

Source: The provisions of this §95.302 adopted to be effective November 11, 1999, 24 TexReg 9830; readopted to be effective August 10, 2003, 28 TexReg 6030; amended to be effective March 7, 2007, 32 TexReg 1066; reviewed and readopted to be effective October 18, 2010, 35 TexReg 9748; reviewed and readopted to be effective October 20, 2014, 39 TexReg 8604.

§95.303. Subordination of Right, Title, or Interest.

No agreement which tends to diminish or defeat the right, title or interest of the guaranty credit union in any asset acquired by it, either as security for a loan or by purchase, shall be valid against the guaranty credit union unless such agreement shall be in writing; shall have been executed by the credit union and the person or persons claiming an adverse interest thereunder, including the obligor, contemporaneously with the acquisition of the asset by the credit union;

shall have been approved by the board of directors of the credit union with such approval reflected in the minutes of said board; and shall have been, continuously, from the time of its execution, an official record of the credit union.

Source: The provisions of this §95.303 adopted to be effective November 11, 1999, 24 TexReg 9830; readopted to be effective August 10, 2003, 28 TexReg 6030; readopted to be effective November 12, 2006, 31 TexReg 9044; reviewed and readopted to be effective October 18, 2010, 35 TexReg 9748; reviewed and readopted to be effective October 20, 2014, 39 TexReg 8604.

§95.304. Capital Contributions; Membership Investment Shares; Termination.

(a) A guaranty credit union shall establish and maintain a guarantee fund. The fund shall be maintained at a normal operating level as defined by the board of directors of the guaranty credit union and approved by the commissioner, however, the normal operating level shall at all times not be less than one percent of the aggregate share capital of participating credit unions. The fund of the guaranty credit union shall be comprised of the following:

- (1) The membership investment shares of each participating credit union;
- (2) Retained and undivided earnings; and
- (3) Any reserves required by the commissioner.

(b) Each participating credit union shall contribute to and maintain with a guaranty credit union a membership investment share, in an amount equal to at least one percent of its insured shares and deposits. Each participating credit union's account shall be adjusted at least annually to reflect changes in the participating credit union's aggregate insured shares and deposits in accordance with procedures adopted by the guaranty corporation's board of directors.

(c) Membership investment shares of participating credit unions shall be established as pledged assets with appropriate explanatory footnotes on the books and records and in the financial statements of the participating credit unions. The guaranty credit union may utilize all of the assets of the guaranty credit union and accordingly reduce the membership investment shares of all participating credit unions, as required, at the discretion of its board of directors, and utilize such assets in accordance with the powers of the guaranty credit union as set out in these rules.

Source: The provisions of this §95.304 adopted to be effective November 11, 1999, 24 TexReg 9830; readopted to be effective August 10, 2003, 28 TexReg 6030; amended to be effective March 7, 2007, 32 TexReg 1066; reviewed and readopted to be effective October 18, 2010, 35 TexReg 9748; reviewed and readopted to be effective October 20, 2014, 39 TexReg 8604.

§95.305. Audited Financial Statements; Accounting Procedures; Reports.

(a) A guaranty credit union shall file with the commissioner annually audited financial statements, prepared in accordance with generally accepted accounting principles covering the fiscal year, within one hundred days after the close of such fiscal year. The audited financial statements shall be accompanied by an opinion of an independent certified public accountant.

(b) If the opinion of the certified public accountant is other than unqualified pursuant to generally accepted auditing standards, the commissioner shall require the guaranty credit union to take such action as is considered appropriate to permit the removal of such qualification from the opinion.

(c) At a minimum, once every three years the annual audit of the guaranty credit union shall include an actuarial study of the capital adequacy of the credit union.

(d) All of the provisions of this section are in addition to those prescribed in §91.209 of this title (relating to Reports and Charges for Late Filing).

Source: The provisions of this §95.305 adopted to be effective November 11, 1999, 24 TexReg 9830; readopted to be effective August 10, 2003, 28 TexReg 6030; amended to be effective March 7, 2007, 32 TexReg 1066; reviewed and readopted to be effective October 18, 2010, 35 TexReg 9748; reviewed and readopted to be effective October 20, 2014, 39 TexReg 8604.

§95.310. Fees and Charges.

(a) A guaranty credit union shall pay the fees prescribed in Section 97.113 of this title (relating to Operating Fees) in the same manner as any other credit union chartered under the Act.

(b) At the sole discretion of the commissioner, the department may engage professionals to perform and complete any aspect of an examination or investigation. The reasonable expenses and compensation of such professionals shall be paid by the guaranty credit union.

Source: The provisions of this §95.310 adopted to be effective March 7, 2007, 32 TexReg 1067; reviewed and readopted to be effective October 18, 2010, 35 TexReg 9748; reviewed and readopted to be effective October 20, 2014, 39 TexReg 8604.

Subchapter D. Disclosure for Non-Federally Insured Credit Unions

§95.400. Requirements of Participating Credit Unions.

(a) Every participating credit union shall give appropriate notice of the insurance status of its accounts printed in a manner acceptable to the commissioner. This notice shall be posted at all public entrances at each office and service facility (excluding shared branching facilities) and continuously displayed at each station or window (excluding automatic teller machines and point of sale terminals) where funds or deposits are normally received. At a minimum, the notice shall clearly and conspicuously disclose the following:

- (1) That members' accounts are insured by an insuring organization;
- (2) The name of the insuring organization;
- (3) The extent of the insuring organization's share and deposit insurance protection;

and

(4) That accounts are not insured or guaranteed by any government or government-sponsored agency.

(b) At the time an account is established, a participating credit union shall provide written notice to its members that the share or deposit account will be cooperatively insured or guaranteed by an insuring organization. The notice shall include a conspicuous statement that discloses that member accounts are not insured or guaranteed by any government or government-sponsored agency.

(c) The noticed required by paragraph (a) of this section shall also be displayed on a participating credit union's web site home page and any other page where it accepts deposits or opens accounts. The dimensions and font size of the notice required by this paragraph must be of a reasonable size and clearly legible.

(d) Every participating credit union shall also include, in any literature, advertising, or other marketing materials related to joining the credit union, or soliciting funds for a share or deposit account, a conspicuous statement that discloses that member accounts are not insured or guaranteed by any government or government-sponsored agency.

Source: The provisions of this §95.400 adopted to be effective March 7, 2007, 32 TexReg 1067; reviewed and readopted to be effective October 18, 2010, 35 TexReg 9748.

Title 7

Part VI. Credit Union Department

Chapter 97

**COMMISSION POLICIES AND
ADMINISTRATIVE RULES**

CHAPTER 97
Subchapter A. General Provisions

§97.101. Meetings.

The time and place of regular and special meetings of the Commission and its committees shall be determined by the applicable chair and posted in accordance with the Open Meetings Act (Government Code, Chapter 551). The minutes of each meeting shall be in writing, shall be posted on the Department's website, and shall be available to any person to examine during the Department's regular office hours.

Source: The provisions of this §97.101 adopted to be effective March 8, 1984, 9 TexReg 1211; amended to be effective July 8, 1994, 19 TexReg 4946; amended to be effective December 9, 2001, 26 TexReg 9777; readopted to be effective February 14, 2005, 30 TexReg 1091; reviewed and amended to be effective July 12, 2009, 34 TexReg 4513; reviewed and readopted to be effective February 15, 2013, 38 TexReg 1378.

§97.102. Delegation of Duties.

The Commissioner is authorized to complete all filings necessary to facilitate the rule making powers of the Commission. The Commissioner may draft and sign final adoption orders and other such instruments where delegation is not restricted by statute or rule. Notwithstanding other provisions of this rule, this authority is conveyed only to promote administrative efficiency and to expedite properly approved decisions of the Commission.

Source: The provisions of this §97.102 adopted to be effective May 4, 1995, 20 TexReg 3015; readopted to be effective June 19, 2001, 26 TexReg 4886; readopted to be effective February 14, 2005, 30 TexReg 1091, reviewed and amended to be effective July 12, 2009, 34 TexReg 4513; reviewed and readopted to be effective February 15, 2013, 38 TexReg 1378.

§97.103. Recusal or Disqualification of Commission Members.

- (a) A commission member may not vote on or otherwise participate in the deliberation or decision of a matter pending before the commission:
 - (1) in which the commission member has a personal or private interest; or
 - (2) which directly affects the credit union of which the commission member is an officer, director, or member.
- (b) The term "personal or private interest" shall be given the meaning as prescribed in Texas Government Code, Section 572.058, and includes a direct personal or financial interest in a credit union or other matter which is the subject of commission action.
- (c) A commission member who is disqualified under subsection (a) of this section shall publicly disclose the fact to the commission in a meeting called and held in compliance with the Open Meetings Act, Texas Government Code, Chapter 551. The disclosure shall be entered in the minutes of the meeting.

(d) A commission member who is recused or disqualified will be counted in determining a quorum.

Source: The provisions of this §97.103 adopted to be effective February 17, 1998, 23 TexReg 1303; readopted to be effective June 19, 2001, 26 TexReg 4886; readopted to be effective February 14, 2005, 30 TexReg 1091; reviewed and readopted to be effective February 12, 2009, 34 TexReg 1452; reviewed and readopted to be effective February 15, 2013, 38 TexReg 1378.

§97.104. Petitions for Adoption or Amendment of Rules.

(a) An interested party may submit a petition to the Department to adopt or amend a rule pursuant to Government Code, <*>2001.021. The petition must be in writing, must be directed to the commissioner, and must include:

- (1) a brief explanation of the proposed rule or of the proposed amendment to the rule;
- (2) the full text of the proposed rule, or, if the petition is to amend an existing rule, the text of the rule that clearly identifies any words to be added or deleted from the existing text by underlining new language and striking through language to be deleted; and
- (3) any additional information the commissioner may request.

(b) If the petition complies with the requirements of subsection (a) of this section, the Department shall notify the applicant that the petition has been accepted for filing and will be processed in accordance with subsection (c) of this section. If the petition does not comply, the Department shall notify the applicant in writing of the deficiencies and give the applicant an opportunity to cure them by filing an amended petition. If the applicant does not file an amended petition curing the deficiencies by 5:00 p.m. on the 15th day following the date that the Department mailed a notice of deficiencies to the applicant, the petition shall be deemed denied for the reasons stated in the deficiency notice without the necessity of further action.

(c) Within 60 days of the date that a petition is accepted for filing, the Department must either deny the petition for reasons stated in writing or initiate a rulemaking proceeding.

Source: The provisions of this §97.104 adopted to be effective March 10, 2011, 36 TexReg 1658; reviewed and readopted to be effective February 15, 2013, 38 TexReg 1378.

§97.105. Frequency of Examination.

The department shall perform an examination of each credit union authorized to do business under the Act at least once each year. Intervals between examinations shall not exceed 18 months, unless a longer interval is authorized in writing by the commission. In lieu of conducting an examination required by this rule, the commissioner in the exercise of discretion may accept examinations or reports from other credit union supervisory agencies or insuring organizations.

Source: The provisions of this §97.105 adopted to be effective March 8, 1984, 9 TexReg 1211; amended to be effective December 9, 2001, 26 TexReg 9777; readopted to be effective February 14, 2005, 30 TexReg 1091; reviewed and readopted to be effective February 12, 2009, 34 TexReg 1452; reviewed and readopted to be effective February 15, 2013, 38 TexReg 1378.

§97.107. Related Entities.

- (a) Definition. For the purposes of this section, a related entity is defined as:
1. a credit union service organization in which a credit union has a material interest by contracting with, lending to or investing in the organization;
 2. a subsidiary or affiliate of a credit union service organization that is wholly owned or controlled by a credit union;
 3. an organization engaged primarily in the business of managing a credit union; and
 4. third-party contractors providing electronic data processing, electronic fund transfers, or other member services to or on behalf of a credit union.
- (b) General Supervision. A credit union should perform a thorough analytical assessment to identify, measure, monitor, and establish controls to manage the risks associated with related entities and avoid excessive risk-taking that may threaten the safety and soundness of a credit union. The department may review the risks associated with any related entity and its activities together with other credit union risks using its supervision-by-risk framework. The department shall assess the effectiveness of a credit union's oversight program of related entities, including its strategic planning, third-party selection process, and ongoing monitoring.
- (c) Examination. A credit union's use of related entities to achieve its strategic goals does not diminish the responsibility of the department to ensure that the activity is conducted in a safe and sound manner and in compliance with applicable law. Although in most situations, these activities should be conducted in the same manner that would be expected if the credit union were conducting the activities directly, the department shall consider the following factors in determining whether to examine exam related entities:
1. the high risk or unusual nature of the activities conducted by the related entity for the credit union;
 2. the significance of the activities conducted by the related entity for the credit union to the credit union's operations and income; and
 3. the extent to which the credit union has sufficient systems, controls, and personnel to adequately monitor, measure, and control risks arising from activities conducted by the related entity. The department may examine a related entity, as the commissioner deems necessary to ensure that a credit union is not assuming excessive risk.
- (d) Examination Fee. The related entity shall pay a supplemental examination fee as prescribed in §97.113(e) of this title (relating to Supplemental examination fees). A credit union may elect to pay the fee on behalf of the related entity. The supplemental examination fee for a related entity may be waived or reduced if the commissioner determines it is appropriate.

Source: The provisions of this §97.107 adopted to be effective March 14, 2004, 29 TexReg 2639; readopted to be effective February 14, 2005, 30 TexReg 1091, reviewed and amended to be effective July 12, 2009, 34 TexReg 4514; reviewed and readopted to be effective February 15, 2013, 38 TexReg 1378.

Subchapter B. Fees

§97.113. Fees and Charges.

- (a) Remittance of fees.
- (1) Each credit union authorized to do business under the Act shall remit to the department an annual operating fee. The fee shall be paid in semi-annual installments, billed effective September 1 and March 1 of each year. The final installment may be adjusted as provided by subsection (d) of this section. Installments received after September 30 or March 30

of each year will be subject to a monthly 10% late fee unless waived by the commissioner for good cause.

(2) Credit unions that exit the Texas credit union system on or before August 31 or February 28 of a given year, will not be subject to the semi-annual assessment for the period beginning September 1 or March 1, respectively. Only those credit unions leaving the state credit union system prior to the close of business on those dates avoid paying the semi-annual assessment for the period beginning September 1 or March 1, as applicable.

(b) Calculation of operating fees. The schedule provided in this section shall serve as the basis for calculating operating fees. The base date shall be June 30 of the year in which operating fees are calculated. The asset base may be reduced by the amount of reverse-repurchase balances extant on the June 30 base date. The commissioner is authorized to increase the fee schedule once each year as needed to match revenue with appropriations. An increase greater than 5% shall require prior approval of the commission. The commissioner shall notify the commission of any such adjustment at the first meeting of the commission following the determination of the fee schedule.

For Credit Unions with Total Assets Of:

The Operating Fee is:

Less than \$200,000	\$200
\$200,000 but less than \$1M	\$200 plus .001625 of excess over \$200,000
\$1M but less than \$10M	\$1,500 plus .00034 of excess over \$1M
\$10M but less than \$25M	\$4,560 plus .00014 of excess over \$10M
\$25M but less than \$50M	\$6,660 plus .00017 of excess over \$25M
\$50M but less than \$100M	\$10,910 plus .00019 of excess over \$50M
\$100M but less than \$500M	\$20,410 plus .000080 of excess over \$100M
\$500M but less than \$1,000M	\$52,410 plus .000072 of excess over \$500M
\$1,000M but less than \$2,000M	\$88,410 plus .000069 of excess over \$1,000M
\$2,000M and over over	\$157,410 plus .000062 of excess \$2,000M

(c) Waiver of operating fees. The commissioner is authorized to waive the operating fee for an individual credit union when good cause exists. The commissioner shall document the

reason(s) for each waiver of operating fees and report such waiver to the commission at its next meeting.

(d) Adjustment of an installment. The commissioner in the exercise of discretion may, after review and consideration of actual revenues to date and projected revenues for the remainder of the fiscal year, lower the amount of the final installment due from credit unions.

(e) Supplemental examination fees.

(1) If the commissioner or deputy commissioner schedules a special examination in addition to the regular examination, the credit union is subject to a supplemental charge to cover the cost of time and expenses incurred in the examination.

(2) The credit union shall pay a supplemental fee of \$50 for each hour of time expended on the examination. The commissioner may waive the supplemental fee or reduce the fee, individually or collectively, as he deems appropriate. Such waiver or reduction shall be in writing and signed by the commissioner. The department shall fully explain the time and charges for each special examination to the president or designated official in charge of operations of a credit union.

(f) Foreign credit union branches. Credit unions operating branch offices in Texas as authorized by §91.210 of this title (relating to Foreign Credit Unions) shall pay an annual operating fee of \$500 per branch office.

(g) Credit union conversion fee. A credit union organized under the laws of the United States or of another State that converts to a credit union organized under the laws of this State shall remit to the department an annual operating fee within 30 days after the issuance of a charter by the commissioner. The schedule provided in subsection (b) of this section shall serve as the basis for calculating the operating fee. All provisions set forth in subsection (b) of this section shall apply to converting credit unions with the following exceptions:

(1) Should the effective date of the conversion fall on or after October 31, the base date shall be the calendar quarter end immediately preceding the issuance date of a charter by the commissioner.

(2) The amount of the operating fee calculated under this section will be prorated based upon the number of full months remaining until September 1. For example, should the effective date of the conversion be January 31, the converting credit union will remit seven-twelfths of the amount of the operating fee calculated using December 31 base date.

(3) Any fee received more than 30 days after the issuance of a charter will be subject to a monthly 10% late fee unless waived by the commissioner for good cause.

(h) Mergers/Consolidations. In the event a credit union in existence as of June 30 merges or consolidates with another credit union and the merger/consolidation is completed on or before August 31, the surviving credit union's asset base, for purposes of calculating the operating fee prescribed in subsection (b) of this section, will be increased by the amount of the merging credit union's total assets as of the June 30 base date.

(i) Special assessment. The commission may approve a special assessment to cover material expenditures, such as major facility repairs and improvements and other extraordinary expenses.

(j) Foreign credit union fee for field of membership expansion. A foreign credit union applying to expand its field of membership in Texas shall pay a fee of \$200. This fee shall be paid at the time of filing to cover the cost of processing the application. In addition, the applicant shall pay any cost incurred by the department in connection with a hearing conducted at the request of the applicant.

(k) Foreign credit union examination fees.

(1) If the commissioner schedules an examination of a foreign credit union, the credit union is subject to supplemental charges to cover the cost of time and expenses incurred in the examination.

(2) The foreign credit union shall pay a fee of \$50 for each hour of time expended by each examiner on the examination. The commissioner may waive the examination fee or reduce the fee as he deems appropriate.

(3) The foreign credit union shall also reimburse the department for actual travel expenses incurred in connection with the examination, including mileage, public transportation, food, and lodging in addition to the fee set forth in paragraph (2) of this subsection. The commissioner may waive this charge at his discretion.

(1) Contract Services. In addition, the commissioner may charge, or otherwise cause to be paid by, a credit union, a foreign credit union or related entities the actual cost incurred by the department for an examination or a review of all or part of the operations or activities of a credit union, a foreign credit union or related entity that is performed under a personal services contract entered into between the department and third parties.

Source: The provisions of this §97.113 adopted to be effective November 13, 2000, 25 TexReg 11279; amended to be effective December 9, 2001, 26 TexReg 9777; readopted to be effective February 14, 2005, 30 TexReg 1091; reviewed and amended to be effective July 12, 2009, 34 TexReg 4514; reviewed and readopted to be effective February 15, 2013, 38 TexReg 1378.

§97.114. Charges for Public Records.

(a) **Reproduction Charges.** Copies of documents not excepted from disclosure by the Texas Public Information Act (Government Code, Chapter 552) may be obtained upon written request to the department at rates established by the Office of the Attorney General in 1 TAC Sections §§70.1-70.12 (relating to Cost of Copies of Public Information) or other applicable law.

(b) **Request for Information.** The following guidelines apply to requests for records under the Public Information Act (Government Code, Chapter 552).

(1) Request must be in writing and reasonably identify the records requested.

(2) Records access will be by appointment only.

(3) Records access is available only during the regular business hours of the department.

(4) Generally, unless confidential information is involved, review may be by physical access or by duplication, at the requestor's option. Any person, however, whose request would be unduly disruptive to the ongoing business of the office may be denied physical access and will be provided only the option of receiving copies by duplication.

(5) When the safety of any public record is at issue, physical access may be denied, and the records will be provided by duplication as previously described.

(6) Confidential files will not be made available for inspection or for duplication unless required by a court order or Attorney General decision.

(c) Waiver of Fees or Charges. The commissioner may waive or reduce an established charge when, in his or her discretion, a waiver or reduction of the fee is in the public interest because furnishing the information primarily benefits the general public. The fee may also be waived if the cost of processing the collection of a charge will exceed the amount of the charge.

Source: The provisions of this §97.114 adopted to be effective September 1, 1994, 19 TexReg 6557; amended to be effective December 9, 2001, 26 TexReg 9778; readopted to be effective February 14, 2005, 30 TexReg 1091; reviewed and amended to be effective July 12, 2009, 34 TexReg 4515; reviewed and readopted to be effective February 15, 2013, 38 TexReg 1378.

§97.115. Reimbursement of Legal Expenses.

(a) The commissioner may seek reimbursement of expenses from an individual credit union for legal fees incurred solely and necessarily because the credit union acted in an unreasonable or egregious manner or acted outside the course and scope of what is permitted by statute or regulation. To ensure that the rights and interest of all parties are protected, this section shall not apply to any adjudicative proceedings in which the legal rights, duties, or privileges of the credit union are being determined by the Department after an opportunity for hearing. This section also does not apply to court proceedings where the individual credit union's legal rights, duties, or privileges are being determined as against the Department.

(b) The credit union has thirty days from the date it receives the assessment to pay in full or to appeal in writing to the Commission.

(c) If a credit union files a written notice of appeal, the Commission shall hear the appeal at its next regularly scheduled meeting. In making its decision, the Commission shall consider whether the credit union acted reasonably under the circumstances or acted within its legal rights.

(d) When possible, the Department will notify a credit union before the Department requests legal assistance which may be charged to a credit union under this section.

Source: The provisions of this §97.115 adopted to be effective November 7, 2010, 29 TexReg 9722; reviewed and readopted to be effective February 15, 2013, 38 TexReg 1378.

§97.116. Recovery of Costs for Extraordinary Services Not Related to an Examination.

(a) The commissioner may seek reimbursement from an individual credit union for non examination-related expenses incurred solely and necessarily because the credit union acted in an unreasonable or egregious manner, or acted outside the course and scope of what is permitted by statute or regulation. Expenses can include personnel costs, transportation costs, meals, lodging, and other incidental expenses. If the commissioner determines that recovery of costs is appropriate, the Department shall provide advance notice to the credit union of its intention to recover the expenses.

(b) In seeking reimbursement, the commissioner shall consider the amount of the costs involved, the nature of the credit union's conduct, the service provided, the financial impact on the credit union, and the impact of the activity on other Department services. The commissioner may reduce the charges and bill the credit union less than the full amount of the costs.

(c) The credit union has thirty days from the date it receives the assessment to pay in full or to appeal in writing to the Commission.

(d) If a credit union files a written notice of appeal, the Commission shall hear the appeal at its next regularly scheduled meeting. In making its decision, the Commission shall consider

whether the credit union acted reasonably under the circumstances or acted within its legal rights.

Source: The provisions of this §97.116 adopted to be effective November 7, 2010, 35 TexReg 9723; readopted to be effective February 15, 2013, 38 TexReg 1378.

Subchapter C. Department Operations

§97.200. Employee Training Program.

(a) Components of program. The employee training program for the department consists of one or more of the following components:

(1) Agency-sponsored training to include in-house training sessions and on-the-job training;

(2) Formal training program conducted through the National Credit Union Administration as administrator of the National Credit Union Share Insurance Fund.

(3) Seminars and conferences; and

(4) Formal course of study at an institution of higher education or a private or independent institution of higher education.

(b) In order for the cost of training and the time related to that training to be reimbursed by the department, the employee must demonstrate that the course has direct applicability to the employee's job with the department. Attendance at an approved training session described in subsection (a)(1)-(3) will be considered part of the employee's normal work duties and will not require the employee to use accrued leave to attend.

(c) Requests to attend an external training program, seminar or conference pursuant to this section must be approved by the commissioner. Approval of a request is contingent upon availability of funds. If limited funds are available, and more than one employee wishes to participate, a decision regarding who will attend will be based upon the extent of their previous use of funds, the training's merit and its value to the department's operations.

(d) Continuing education courses. Continuing education courses required by licensing or certifying bodies for employees to maintain a professional license or designation will only be reimbursed if such courses relate directly to the employee's job duties with the department and there are funds available.

(e) Tuition reimbursement.

(1) The department may reimburse full-time employees for part or all of tuition and required fees for formal courses of study described in subsection (a)(4) provided the eligibility criteria set forth below are met.

(A) An employee must have completed 24 consecutive months of full-time employment with the department prior to requesting approval to receive tuition reimbursement. However, the 24-month requirement may be waived if the commissioner finds that the employee needs a particular course to fulfill his or her work duties.

(B) An employee must be performing consistently above that normally expected or required and must have achieved an overall performance rating of at least 3.50 on the employee's most recent performance evaluation.

(C) An employee must not have been subject to formal disciplinary action for at least twelve months prior to requesting approval. As used in this section, "disciplinary action" includes a formal written reprimand, suspension without pay, or salary reduction for disciplinary reasons.

(D) The course work must be related to a current or prospective duty assignment within the department.

(E) An employee, before the course begins, must agree in writing to the repayment requirement stated in paragraph 3 of this subsection.

(F) At the time of the request for approval to receive tuition reimbursement, comparable training must not be scheduled to be offered in-house or through the National Credit Union Administration during the period of time covered by the tuition reimbursement.

(G) The employee's participation must not adversely affect workload or performance.

(H) The employee must complete the course within the semester for which tuition reimbursement was requested.

(I) The employee must receive a passing grade in the course. A passing grade is a grade which will entitle the employee to receive credit for the course from the educational institution offering the course.

(2) Reimbursable costs. Criteria addressing the extent to which cost of tuition may be reimbursed are as follows:

(A) The maximum amount an employee may be reimbursed for an approved tuition reimbursement request is \$250 per semester, not to exceed \$500 per fiscal year. The maximum amount of reimbursement may be increased up to \$400 per semester for good cause shown upon approval by the commissioner.

(B) Reimbursable costs include tuition, related fees, and required textbooks and workbooks. Employees will not be reimbursed for auditing a course.

(C) Costs described in subparagraph (2)(B) will be paid to the employee at the completion of the course upon the employee submitting proof that the course was completed and a passing grade was received.

(3) Repayment. Should an employee separate from department service within 12 months of completion of the course, the employee must reimburse the department for all reimbursable costs expended by the department for that course in accordance with section 656.103 of the Texas Government Code (relating to Restrictions on Certain Training Costs). The commission may adopt an order waiving this requirement upon finding that such action is in the best interest of the department or is warranted because of an extreme personal hardship suffered by the employee.

(4) Prohibition on use of state resources. Employees may not use department equipment, such as computers, calculators or typewriters to complete course work.

Source: The provisions of this §97.200 adopted to be effective February 16, 2000, 25 TexReg 91099; readopted to be effective June 19, 2001, 26 TexReg 4886; readopted to be effective February 14, 2005, 30 TexReg 1091; reviewed and readopted to be effective February 12, 2009, 34 TexReg 1452; reviewed and readopted to be effective February 15, 2013, 38 TexReg 1378.

§97.205. Use of Historically Underutilized Businesses.

Pursuant to Chapter 2161 of the Government Code, the Department hereby incorporates by reference the rules of the Comptroller of Public Accounts, 34 TAC §§20.11-20.28 (relating to Historically Underutilized Business Program), or any successor rules, regarding historically underutilized businesses. The Department shall comply, to the extent applicable, with the requirements of these rules when purchasing goods and services that are paid for with State appropriated money.

Source: The provisions of this §97.205 adopted to be effective November 13, 2000, 25 TexReg 11279; readopted to be effective June 22, 2004, 29 TexReg 6423; readopted to be effective February 14, 2005, 30 TexReg 1091; reviewed and amended to be effective July 12, 2009, 34 TexReg 4515; reviewed and readopted to be effective February 15, 2013, 38 TexReg 1378.

§97.207. Contracts for Professional or Personal Service.

(a) In connection with the authority granted to the commissioner to negotiate, contract or enter into an agreement for professional or personal services under §15.414, Texas Finance Code, the Department hereby incorporates by reference the procurement rules of the Comptroller of Public Accounts, 34 TAC Chapter 20 (relating to Texas Procurement and Support Services), or any successor rules, regarding soliciting and awarding contracts. The Department shall comply, to the extent applicable, with the requirements of these rules when contracting for professional or personal services that are paid for with State appropriated money or paid by credit unions pursuant to 7 TAC §97.113(l) of this title (relating to Fees and Charges).

(b) Any professional or personal service contracts between the Department and entities that receive funds from the State of Texas shall contain the following language regarding the authority of the State Auditor's Office to conduct an audit or investigation in connection with those funds: "Contractor understands that acceptance of funds under this contract acts as acceptance of the authority of the State Auditor's Office, or any successor agency, to conduct an audit or investigation in connection with those funds. Contractor further agrees to cooperate fully with the State Auditor's office or its successor in the conduct of the audit or investigation, including providing all records requested. Contractor will ensure that this clause concerning the authority to audit funds received indirectly by subcontractors through Contractor and the requirements to cooperate is included in any subcontract it awards."

(c) Any professional or personal service contracts between the Department and entities that receive funds from the State of Texas shall contain the following language regarding dispute resolution: "The parties shall attempt to resolve any dispute arising under this contract by using the Department's dispute resolution process." The Department hereby incorporates by reference as its dispute resolution process the rules found in 1 TAC Chapter 68 (relating to Negotiation and Mediation of Certain Contract Disputes), or any successor rules.

Source: The provisions of this §97.207 adopted to be effective March 14, 2004, 29 TexReg 2639; readopted to be effective February 14, 2005, 30 TexReg 1091; reviewed and amended to be effective July 12, 2009, 34 TexReg 4516; reviewed and amended to be effective July 14, 2013, 38 TexReg 4318.

Subchapter D. Gifts and Bequests

§97.300. Gifts of Money or Property.

- (a) The department may accept money or property by gift, bequest, devise, or otherwise (“Donation”), only from an organization described in Section 501(c)(3), Internal Revenue Code of 1986, for the purposes of funding or performing any authorized activity (“Donor”).
- (b) All Donations must be accepted in an open meeting by a majority of the commission members present and reported in the minutes of the meeting setting forth the name of the Donor and the purpose of the Donation. Before accepting a Donation, the commission may require the Donor to provide information that the commission deems reasonable and necessary to ensure itself that the Donation is not being conveyed to directly or indirectly influence an official act of the department or the commission.
- (c) The department may not solicit money or property from any person or organization to settle an administrative action or to keep the department from taking formal enforcement action.

Source: The provisions of this §97.300 adopted to be effective March 14, 2004, 29 TexReg 2640, readopted to be effective February 14, 2005, 30 TexReg 1091; reviewed and amended to be effective July 12, 2009, 34 TexReg 4516; reviewed and readopted to be effective February 15, 2013, 38 TexReg 1378.

Subchapter E. Advisory Committees

§97.401. General Requirements.

- (a) Definition. For purposes of this rule, the term “advisory committee” means a committee, council, board, task force, or other entity with multiple members established to provide advice and counsel to the commission.
- (b) Creation. The commission may establish advisory committees to advise the commission on issues within the jurisdiction of the department.
- (c) Function. Unless otherwise provided by law, an advisory committee’s responsibility is limited to those matters about which advice or counsel is sought. An advisory committee will have no authority to make rules or establish department policy.
- (d) Expiration of advisory committee. Unless expressly provided in this subchapter or other law, an advisory committee will expire on the fourth anniversary of the date of its creation. The date of creation shall be the effective date of the rule establishing the advisory committee.
- (e) Membership and Quorum. The chairman may appoint a maximum of 24 individuals to serve on an advisory committee. A majority of those individuals shall constitute a quorum. Unless otherwise provided by specific statute, the appointments shall be balanced to ensure representation of credit unions regulated by the department and consumers of services provided by those credit unions. Each advisory committee shall include at least one department employee as an ex officio member. This employee shall not be considered a committee member for purposes of establishing the maximum number of members or for purposes of determining a quorum.
- (f) Term of members. Unless expressly provided in this subchapter or other law, each member of an agency advisory committee will serve a term of four years. The terms may be staggered. Members' terms will expire at the end of four years or upon the termination of the advisory committee, whichever is earlier. Members may be reappointed. Members serve at the will of the chairman and may be removed at any time by the chairman.

(g) Presiding officer. The presiding officer of each advisory committee shall be selected by the members of the advisory committee from its membership. The chairman may make a recommendation to the advisory committee regarding the presiding officer.

(h) Meetings. Meetings shall be subject to the requirements of Chapter 551 of the Government Code. Each committee shall meet at least annually, but may meet as often as necessary. The department ex officio member of each advisory committee shall work with the presiding officer to schedule advisory committee meetings and provide adequate notice to department staff and to other members.

(i) Reports. On or before October 1 of each year, each advisory committee shall submit a report to the commission. Upon receipt of the report, the commission shall evaluate the advisory committee's work, usefulness, and costs related to the committee's existence, including the cost of department staff time spent in support of the committee's activities. Each report shall include the following:

(1) a summary or minutes of meetings conducted during the previous fiscal year (September 1-August 31);

(2) a summary of recommendations from the advisory committee; and

(3) other information determined by the advisory committee or the chairman to be appropriate and useful.

(j) Expenses. Members of each advisory committee will serve without compensation or reimbursement for travel or other out-of-pocket expenses.

(k) Rules. For each advisory committee appointed, the commission shall adopt rules that address the purpose of the advisory committee and membership qualifications, including experience requirements, geographic representation, and training requirements. Such rules may also address the terms of service, operating procedures, and other standards to ensure the effectiveness of an advisory committee appointed under this subchapter.

Source: The provisions of this §97.401 adopted to be effective March 14, 2010, 35 TexReg 1980; reviewed and readopted to be effective February 15, 2013, 38 TexReg 1378.

Title 7

Part VIII. Joint Interpretations

Chapter 151

HOME EQUITY LENDING PROCEDURES

Chapter 151.

Procedures for Administrative Interpretation of Subsection (a), Section 50, Article XVI, Texas Constitution, (The Home Equity Lending Law)

§151.1. Application for Interpretation.

- (a) The Finance Commission and Credit Union Commission may on their own motion issue interpretations of Section 50(a) (5)-(7), (e)-(p), and (t), Article XVI of the Texas Constitution.
- (b) An interested person may submit a request for an interpretation of Section 50(a) (5)-(7), (e)-(p), and (t), Article XVI of the Texas Constitution. All requests must:
- (1) be directed to the general counsel for the Office of Consumer Credit Commissioner who will promptly distribute it to the general counsels for the Department of Banking, the Department of Savings and Mortgage Lending, and the Credit Union Department;
 - (2) contain an explicit statement that an interpretation approved by the Finance Commission and Credit Union Commission is desired;
 - (3) contain the reference to the specific applicable section, subsection and paragraph of the Texas Constitution of which the interpretation is requested;
 - (4) state with sufficient particularity the factual and legal context to which the application of the provision is vague or ambiguous; and
 - (5) indicate the requestor's opinion of how the legal issue should be resolved, the basis for that opinion, an analysis of any relevant court decisions, and all prior interpretations to which the request relates.

Source: The provisions of this §151.1 adopted to be effective January 7, 2004, 29 TexReg 83; reviewed and amended to be effective November 13, 2008, 33 TexReg 9074; reviewed and readopted to be effective June 21, 2013, 38 TexReg 4393.

§151.2. Review of Request.

- (a) The request for interpretation shall be evaluated to determine:
- (1) whether the requestor has complied with the requirements of §151.1(b);
 - (2) the significance and general application of the interpretation; and
 - (3) the ambiguity of the constitutional provision.
- (b) Reasons for a denial of a request for interpretation will be stated in writing.

Source: The provisions of this §151.2 adopted to be effective January 7, 2004, 29 TexReg 83; reviewed and readopted to be effective June 20, 2008, 33 TexReg 5352; reviewed and readopted to be effective June 21, 2013, 38 TexReg 4393.

§151.3. Initiation of Interpretation Procedure.

- (a) If an interpretation is initiated, the requestor shall be notified in writing.
- (b) To ensure that clear and concise formal interpretations are made, it may be necessary to rephrase the original interpretation request. A requestor will be notified in writing if a request is rephrased and a copy of the rephrased request shall be provided to the requestor.
- (c) Copies of the request for interpretation will be sent to parties requesting advance notice for their input.

(d) The parties requesting advance notice may provide their input indicating an opinion of how the legal issue should be resolved, the basis for that opinion, an analysis of any relevant court decisions and all prior interpretations to which the request relates.

(e) The input of the parties requesting advance notice will be considered.

Source: The provisions of this §151.3 adopted to be effective January 7, 2004, 29 TexReg 83; reviewed and amended to be effective November 13, 2008, 33 TexReg 9073; reviewed and readopted to be effective June 21, 2013, 38 TexReg 4393.

§151.4. Notice of Proposed Interpretation.

If the Finance Commission and the Credit Union Commission propose an interpretation, notice of the proposed interpretation will be published in the Texas Register. The notice of the proposed interpretation shall contain:

(1) A brief explanation of the proposed interpretation;

(2) The text of the proposed interpretation, except any portion omitted under Section 2002.014, Government Code, prepared in a manner to indicate any words to be added or deleted from the current text;

(3) A reference to the section of the constitution interpreted; and

(4) A statement of whether the interpretation is inconsistent with any other interpretations and an explanation of the justification for any inconsistency.

Source: The provisions of this §151.4 adopted to be effective January 7, 2004, 29 TexReg 83; reviewed and readopted to be effective June 20, 2008, 33 TexReg 5352; reviewed and readopted to be effective June 21, 2013, 38 TexReg 4393.

§151.5. Public Comment.

Any person may submit comments, briefs or proposals pertaining to the proposed interpretation not later than 30 days following the publication of the proposed interpretation in the Texas Register. The Finance Commission and Credit Union Commission will allow the opportunity for public comment and public hearing as required by Section 2001.029, Government Code.

Source: The provisions of this §151.5 adopted to be effective January 7, 2004, 29 TexReg 83; reviewed and readopted to be effective June 20, 2008, 33 TexReg 5352; reviewed and readopted to be effective June 21, 2013, 38 TexReg 4393.

§151.6. Action on Proposed Interpretation.

The Finance Commission and the Credit Union Commission may adopt or decline to adopt the proposed interpretation or remand the proposed interpretation for modification, revision, or additional comment. This action will be conducted at a public meeting.

Source: The provisions of this §151.6 adopted to be effective January 7, 2004, 29 TexReg 83; reviewed and readopted to be effective June 20, 2008, 33 TexReg 5352; reviewed and readopted to be effective June 21, 2013, 38 TexReg 4393.

§151.7. Adoption of Interpretation.

The interpretation as finally adopted by the Finance Commission and Credit Union Commission, will include:

- (1) a reasoned justification for the interpretation as adopted consisting solely of:
 - (A) a summary of comments received from parties interested in the interpretation that shows the names of interested parties or associations offering comment on the interpretation and whether they were for or against its adoption;
 - (B) a summary of the factual basis for the interpretation as adopted which demonstrates a rational connection between the factual basis for the interpretation and the interpretation as adopted; and
 - (C) the reasons why the Finance Commission and Credit Union Commission disagree with party submissions and proposals;
- (2) a concise restatement of the particular constitutional provisions under which the interpretation is adopted and of how the Finance Commission and Credit Union Commission interpret the provisions as authorizing or requiring the interpretation; and
- (3) a certification that the interpretation, as adopted, has been reviewed by legal counsel and found to be a valid exercise of the Finance Commission's and Credit Union Commission's legal authority.

Source: The provisions of this §151.7 adopted to be effective January 7, 2004, 29 TexReg 83; reviewed and amended to be effective November 13, 2008, 33 TexReg 9074; reviewed and readopted to be effective June 21, 2013, 38 TexReg 4393.

§151.8. Savings Clause and Severability.

The Finance Commission and Credit Union Commission intend that each provision of any interpretation adopted under Chapters 151, 152, and 153 of this title is consistent with Chapter 2001, Government Code. The provisions of any interpretation adopted under Chapters 151, 152, and 153 of this title are severable. If any provision of any interpretation adopted under Chapters 151, 152, and 153 of this title is determined to be inconsistent with Chapter 2001, Government Code or otherwise invalid, all valid provisions are severable from the invalid part.

Source: The provisions of this §151.8 adopted to be effective January 7, 2004, 29 TexReg 83; reviewed and amended to be effective November 13, 2008, 33 TexReg 9074; reviewed and readopted to be effective June 21, 2013, 38 TexReg 4393.

Title 7

Part VIII. Joint Interpretations

Chapter 152

**REPAIR, RENOVATION, AND NEW
CONSTRUCTION ON HOMESTEAD
PROPERTY**

Chapter 152

Administrative Interpretation of Subsection (a), Section 50, Article XVI, Texas Constitution, (Repair, Renovation, and New Construction on Homestead Property)

§152.1. Definitions.

Any reference to Section 50 in this interpretation refers to Article XVI, Texas Constitution, Section 50. Words and terms have these meanings when used in this chapter, unless the context indicates otherwise:

- (1) Contract - A contract for work and material, that complies with the Texas Constitution and the Texas Property Code, used to:
 - (A) construct new improvements;
 - (B) repair or renovate existing improvements; or
 - (C) both (A) and (B).
- (2) Existing improvements - A pre-existing addition to a homestead that is physically attached to the homestead.
- (3) New improvements - An addition physically attached to a homestead:
 - (A) that does not exist on the homestead prior to the commencement of the use of work and material to physically attach the new improvements to the homestead under Section 50(a)(5); and
 - (B) the construction of which will not involve:
 - (i) work on existing improvements
 - (ii) the use of material on existing improvements; or
 - (iii) physically attaching material to existing improvements.
- (4) Material - Material used in constructing new improvements or repairing or renovating existing improvements. Material alone is not improvements. Material used to construct new improvements becomes a part of the new improvements once physically attached to the new improvements. Likewise, material used to repair or renovate existing improvements becomes a part of the existing improvements once physically attached to the existing improvements.
- (5) Owner - A person who has the right to possess, use, and convey, individually or with the joinder of another person, all or part of the homestead.
- (6) Physically attach – To permanently attach, affix, add to, or fasten onto.
- (7) Repair or Renovate - Work and material used to:
 - (A) replace material physically attached to existing improvements whether or not the new material is similar to or the same as the material being replaced (examples include replacing flooring, roofing, built-in appliances, siding, windows, or other material that is attached to existing improvements);
 - (B) physically attach material to existing improvements where there is no previously attached material being replaced that is the same as or similar to the material being attached (examples include attaching to existing improvements a new room, a built-in cabinet, or a second story); and

(C) mend, remedy or upgrade all or a portion of existing improvements without adding or replacing material to the existing improvements (examples include restoring wood flooring or woodwork of an existing improvement where the work does not include physically attaching material to the existing improvements, and removing flooring to expose flooring underneath).

(8) Title company - A title insurance company or an agent of a title insurance company.

Source: The provisions of this §152.1 adopted to be effective July 7, 2005, 30 TexReg 3866.

§152.3. Requirements for Construction of New Improvements: Section 50(a)(5).

(a) Except as provided in Section 152.5(c) of this chapter, Section 50(a)(5)(A)-(D) does not apply to the construction of new improvements on a homestead.

(b) A valid lien, under Section 50(a)(5), may be created on a homestead if the debt for the work and material used for new improvements is contracted for in writing. Once the lien is created, the homestead is not protected by Section 50 from forced sale for the payment of the debt.

Source: The provisions of this §152.3 adopted to be effective July 7, 2005, 30 TexReg 3867.

§152.5. Requirements for Work and Material Used to Repair or Renovate: Section 50(a)(5)(A)-(D).

(a) Section 50(a)(5)(A)-(D) applies only to contracts and applications for work and material used to repair or renovate existing improvements.

(b) If debt is incurred for work and material used to repair or renovate existing improvements and the requirements of Section 50(a)(5)(A)-(D) have been met, a lien is established on the homestead of a family, or of a single adult person, and it is not protected by Section 50 from forced sale for the payment of the debt.

(c) If the application and contract are for both work and material used to repair or renovate existing improvements and for work and material used in constructing new improvements, the entire transaction is considered a contract to repair and renovate existing improvements and compliance with the constitutional requirements of Section 50(a)(5)(A)-(D) is required to establish a lien on the homestead.

Source: The provisions of this §152.5 adopted to be effective July 7, 2005, 30 TexReg 3867.

§152.7. Consent of Spouses in the Case of Family Homestead: Section 50(a)(5)(A).

(a) In the case of a family homestead, both spouses must consent in writing to the contract for repair or renovation of existing improvements, regardless of whether the spouse has a community property interest or other ownership interest in the homestead.

(b) In addition to the consent of both spouses of a family homestead, the lender or contractor, at its option, may also require all other owners and their spouses to consent to the contract.

Source: The provisions of this §152.7 adopted to be effective July 7, 2005, 30 TexReg 3867.

§152.9. Five Day Waiting Period for a Contract Before Executing Work and Materials for Repairs or Renovation: Section 50(a)(5)(C).

The contract for work and materials may not be executed before the fifth calendar day after the owner makes written application for any extension of credit for the work and materials except as provided in §152.13. To count the five days, the day after the application for extension of credit is made is day one. If the fifth calendar day falls on a Sunday or federal legal public holiday, then the contract for work and materials may not be executed until the next calendar day that is not a Sunday or federal legal public holiday.

Source: The provisions of this §152.9 adopted to be effective March 3, 2005, 30 TexReg 1065.

§152.11. Three Day Right to Rescind Contract for Work and Materials for Repairs or Renovation: Section 50(a)(5)(C).

The owner and owner's spouse may rescind the contract for work and materials within three calendar days after execution by all parties of the contract for work and materials. To count the three days, the day after the contract is executed is day one. The rescission period ends at midnight of the third calendar day following the execution of the contract. If the third calendar day falls on a Sunday or federal legal public holiday, then the right of rescission is extended to midnight of the next calendar day that is not a Sunday or federal legal public holiday.

Source: The provisions of this §152.11 adopted to be effective March 3, 2005, 30 TexReg 1068.

§152.13. Health or Safety Reasons for Waiving the Five Day Waiting Period and the Three Day Right to Rescind: Section 50(a)(5)(B) and (C).

(a) If the owner wants to waive the 5-day waiting period in §50(a)(5)(B) or the 3-day right of rescission in §50(a)(5)(C), the owner must sign a statement that, at a minimum:

- (1) describes how the conditions of the homestead property require immediate repair;
 - (2) describes how the conditions of the homestead property materially affect the health and safety of the owner or the person residing in the homestead; and
 - (3) states that the owner is waiving the 5-day waiting period under §50(a)(5)(B), the 3-day period to rescind the contract for work and materials under §50(a)(5)(C), or both;
- (b) Printed forms for this purpose are prohibited.

Source: The provisions of this §152.13 adopted to be effective March 3, 2005, 30 TexReg 1068.

§152.15. Place for Execution of Contract for Work and Material: Section 50(a)(5)(D).

(a) The persons granting or acknowledging the encumbrance of their homestead interest must execute the contract for work and material used to repair or renovate existing improvements at the permanent physical address of:

- (1) the office or branch office of a third-party lender making an extension of credit for the work and material;
- (2) an attorney at law; or
- (3) a title company.

(b) Execution of the contract may not occur at a mobile office located at:

- (1) the homestead; or
- (2) any other place not permitted by subsection (a) of this section.

Source: The provisions of this §152.15 adopted to be effective July 7, 2005, 30 TexReg 3867.

Title 7

Part VIII. Joint Interpretations

Chapter 153

HOME EQUITY LENDING

Chapter 153
Administrative Interpretation of Subsection (a), Section 50, Article XVI, Texas
Constitution, (The Home Equity Lending Law)

§153.1. Definitions.

Any reference to Section 50 in this interpretation refers to Article XVI, Texas Constitution, unless otherwise noted. These words and terms have the following meanings when used in this chapter, unless the context indicates otherwise:

(1) Balloon – an installment that is more than an amount equal to twice the average of all installments scheduled before that installment.

(2) Business Day – All calendar days except Sundays and these federal legal public holidays: New Year's Day, the Birthday of Martin Luther King, Jr., Washington's Birthday, Memorial Day, Independence Day, Labor Day, Columbus Day, Veterans Day, Thanksgiving Day, and Christmas Day.

(3) Closed or closing – the date when each owner and the spouse of each owner signs the equity loan agreement or the act of signing the equity loan agreement by each owner and the spouse of each owner.

(4) Consumer Disclosure – The written notice contained in Section 50(g) that must be provided to the owner at least 12 days before the date the extension of credit is made.

(5) Cross-default provision– a provision in a loan agreement that puts the borrower in default if the borrower defaults on another obligation.

(6) Date the extension of credit is made – the date on which the closing of the equity loan occurs.

(7) Equity loan – An extension of credit as defined and authorized under the provisions of Section 50(a)(6).

(8) Equity loan agreement – the documents evidencing the agreement between the parties of an equity loan.

(9) Fair Market Value – the fair market value of the homestead as determined on the date that the loan is closed.

(10) Force-placed insurance – insurance purchased by the lender on the homestead when required insurance on the homestead is not maintained in accordance with the equity loan agreement.

(11) Interest – As used in Section 50(a)(6)(E), “interest” means the amount determined by multiplying the loan principal by the interest rate over a period of time.

(12) Lockout provision – a provision in a loan agreement that prohibits a borrower from paying the loan early.

(13) Owner – A person who has the right to possess, use, and convey, individually or with the joinder of another person, all or part of the homestead.

(14) Preclosing Disclosure – The written itemized disclosure required by Section 50(a)(6)(M)(ii).

(15) Three percent limitation – the limitation on fees in Section 50(a)(6)(E).

Source: The provisions of this §153.1 adopted to be effective January 7, 2004, 29 TexReg 84; reviewed and readopted to be effective June 20, 2008, 33 TexReg 5352; reviewed and readopted to be effective June 21, 2013, 38 TexReg 4393; reviewed and amended to be effective January 1, 2015, 39 TexReg 10407.

§153.2. Voluntary Lien: Section 50(a)(6)(A).

An equity loan must be secured by a voluntary lien on the homestead created under a written agreement with the consent of each owner and each owner's spouse.

(1) The consent of each owner and each owner's spouse must be obtained, regardless of whether any owner's spouse has a community property interest or other interest in the homestead.

(2) An owner or an owner's spouse who is not a maker of the note may consent to the lien by signing a written consent to the mortgage instrument. The consent may be included in the mortgage instrument or a separate document.

(3) The lender, at its option, may require each owner and each owner's spouse to consent to the equity loan. This option is in addition to the consent required for the lien.

Source: The provisions of this §153.2 adopted to be effective January 7, 2004, 29 TexReg 84; reviewed and readopted to be effective June 20, 2008, 33 TexReg 5352; reviewed and readopted to be effective June 21, 2013, 38 TexReg 4393; reviewed and readopted to be effective June 21, 2013, 38 TexReg 4393.

§153.3. Limitation on Equity Loan Amount: Section 50(a)(6)(B).

An equity loan must be of a principal amount that when added to the aggregate total of the outstanding principal balances of all other indebtedness secured by valid encumbrances of record against the homestead does not exceed 80 percent of the fair market value of the homestead on the date the extension of credit is made. For example, on a property with a fair market value of \$100,000, the maximum amount of debt against the property permitted by Section 50(a)(6)(B) is \$80,000. Assuming existing debt of \$30,000, the maximum amount of the equity loan debt is \$50,000.

(1) The principal amount of an equity loan is the sum of:
(A) the amount of the cash advanced; and
(B) the charges at the inception of an equity loan to the extent these charges are financed in the principal amount of the loan.

(2) The principal balance of all outstanding debt secured by the homestead on the date the extension of credit is made determines the maximum principal amount of an equity loan.

(3) The principal amount of an equity loan does not include interest accrued after the date the extension of credit is made (other than any interest capitalized and added to the principal balance on the date the extension of credit is made), or other amounts advanced by the lender after closing as a result of default, including for example, ad valorem taxes, hazard insurance premiums, and authorized collection costs, including reasonable attorney's fees.

(4) On a closed-end multiple advance equity loan, the principal balance also includes contractually obligated future advances not yet disbursed.

Source: The provisions of this §153.3 adopted to be effective January 7, 2004, 29 TexReg 84; reviewed and readopted to be effective June 20, 2008, 33 TexReg 5352; reviewed and readopted to be effective June 21, 2013, 38 TexReg 4393.

§153.4. Nonrecourse: Section 50(a)(6)(C).

An equity loan must be without recourse for personal liability against each owner and the spouse of each owner, unless the owner or spouse obtained the extension of credit by actual fraud.

(1) If an owner or the spouse of an owner cosigns an equity loan agreement or consents to a security interest, the equity loan must not give the lender personal liability against an owner or an owner's spouse.

(2) A lender is prohibited from pursuing a deficiency except when the owner or owner's spouse has committed actual fraud in obtaining an equity loan.

(3) To determine whether a lender may pursue personal liability, the borrower or owner must have committed "actual fraud." To obtain personal liability under this section, the deceptive conduct must constitute the legal standard of "actual fraud." Texas case law distinguishes "actual fraud" from "constructive fraud." "Actual fraud" encompasses dishonesty of purpose or intentional breaches of duty that are designed to injure another or to gain an undue and unconscientious advantage.

Source: The provisions of this §153.4 adopted to be effective January 7, 2004, 29 TexReg 85; reviewed and readopted to be effective June 20, 2008, 33 TexReg 5352; reviewed and readopted to be effective June 21, 2013, 38 TexReg 4393.

§153.5. Three percent fee limitation: Section 50(a)(6)(E).

An equity loan must not require the owner or the owner's spouse to pay, in addition to any interest, fees to any person that are necessary to originate, evaluate, maintain, record, insure, or service the extension of credit that exceed, in the aggregate, three percent of the original principal amount of the extension of credit.

(1) **Optional Charges.** Charges paid by an owner or an owner's spouse at their sole discretion are not fees subject to the three percent fee limitation. Charges that are not imposed or required by the lender, but that are optional, are not fees subject to the three percent limitation. The use of the word "require" in Section 50(a)(6)(E) means that optional charges are not fees subject to the three percent limitation.

(2) **Optional Insurance.** Insurance coverage premiums paid by an owner or an owner's spouse that are at their sole discretion are not fees subject to the three percent limitation. Examples of these charges may include credit life and credit accident and health insurance that are voluntarily purchased by the owner or the owner's spouse.

(3) **Charges that are Interest.** Charges an owner or an owner's spouse is required to pay that constitute interest under §153.1(11) of this title (relating to Definitions) are not fees subject to the three percent limitation.

(A) Per diem interest is interest and is not subject to the three percent limitation.

(B) Legitimate discount points are interest and are not subject to the three percent limitation. Discount points are legitimate if the discount points truly correspond to a reduced interest rate and are not necessary to originate, evaluate, maintain, record, insure, or service the loan. A lender may rely on an established system of verifiable procedures to evidence that the discount points it offers are legitimate. This system may include documentation of options that the owner is offered in the course of negotiation, including a contract rate without discount points and a lower contract rate based on discount points.

(4) **Charges that are not Interest.** Charges an owner or an owner's spouse is required to pay that are not interest §153.1 (11) of this title are fees subject to the three percent limitation.

(5) **Charges Absorbed by Lender.** Charges a lender absorbs, and does not charge an owner or an owner's spouse that the owner or owner's spouse might otherwise be required to pay are unrestricted and not fees subject to the three percent limitation.

(6) **Charges to Originate.** Charges an owner or an owner's spouse is required to pay to originate an equity loan that are not interest under §153.1(11) of this title are fees subject to the three percent limitation.

(7) **Charges Paid to Third Parties.** Charges an owner or an owner's spouse is required to pay to third parties for separate and additional consideration for activities relating to originating a loan are fees subject to the three percent limitation. Charges those third parties absorb, and do not charge an owner or an owner's spouse that the owner or owner's spouse might otherwise be required to pay are unrestricted and not fees subject to the three percent limitation. Examples of these charges include attorneys' fees for document preparation and mortgage brokers' fees to the extent authorized by applicable law.

(8) **Charges to Evaluate.** Charges an owner or an owner's spouse is required to pay to evaluate the credit decision for an equity loan, that are not interest under §153.1(11) of this title, are fees subject to the three percent limitation. Examples of these charges include fees collected to cover the expenses of a credit report, survey, flood zone determination, tax certificate, title report, inspection, or appraisal.

(9) **Charges to Maintain.** Charges paid by an owner or an owner's spouse to maintain an equity loan that are not interest under §153.1(11) of this title are fees subject to the three percent limitation if the charges are paid at the inception of the loan, or if the charges are customarily paid at the inception of an equity loan but are deferred for later payment after closing.

(10) **Charges to Record.** Charges an owner or an owner's spouse is required to pay for the purpose of recording equity loan documents in the official public record by public officials are fees subject to the three percent limitation.

(11) **Charges to Insure an Equity Loan.** Premiums an owner or an owner's spouse is required to pay to insure an equity loan are fees subject to the three percent limitation. Examples of these charges include title insurance and mortgage insurance protection.

(12) **Charges to Service.** Charges paid by an owner or an owner's spouse for a party to service an equity loan that are not interest under §153.11(11) of this title are fees subject to the three percent limitation if the charges are paid at the inception of the loan, or if the charges are customarily paid at the inception of an equity loan but are deferred for later payment after closing.

(13) **Secondary Mortgage Loans.** A lender making an equity loan that is a secondary mortgage loan under Chapter 342 of the Texas Finance Code may charge only those fees permitted in TEX. FIN. CODE, §§342.307, 342.308, and 342.502. A lender must comply with the provisions of Chapter 342 of the Texas Finance Code and the constitutional restrictions on fees in connection with a secondary mortgage loan made under Chapter 342 of the Texas Finance Code.

(14) **Escrow Funds.** A lender may provide escrow services for an equity loan. Because funds tendered by an owner or an owner's spouse into an escrow account remain the property of the owner or the owner's spouse those funds are not fees subject to the three percent limitation. Examples of escrow funds include account funds collected to pay taxes, insurance premiums, maintenance fees, or homeowner's association assessments. A lender must not contract for a right of offset against escrow funds pursuant to Section 50(a)(6)(H).

(15) **Subsequent Events.** The three percent limitation pertains to fees paid or contracted for by an owner or owner's spouse at the inception or at the closing of an equity loan. On the date

the equity loan is closed an owner or an owner's spouse may agree to perform certain promises during the term of the equity loan. Failure to perform an obligation of an equity loan may trigger the assessment of costs to the owner or owner's spouse. The assessment of costs is a subsequent event triggered by the failure of the owner's or owner's spouse to perform under the equity loan agreement and is not a fee subject to the three percent limitation. Examples of subsequent event costs include contractually permitted charges for force-placed homeowner's insurance costs, returned check fees, debt collection costs, late fees, and costs associated with foreclosure.

(16) Property Insurance Premiums. Premiums an owner or an owner's spouse is required to pay to purchase homeowner's insurance coverage are not fees subject to the three percent limitation. Examples of property insurance premiums include fire and extended coverage insurance and flood insurance. Failure to maintain this insurance is generally a default provision of the equity loan agreement and not a condition of the extension of credit. The lender may collect and escrow premiums for this insurance and include the premium in the periodic payment amount or principal amount. If the lender sells insurance to the owner, the lender must comply with applicable law concerning the sale of insurance in connection with a mortgage loan.

Source: The provisions of this §153.5 adopted to be effective January 7, 2004, 29 TexReg 86; reviewed and readopted to be effective June 20, 2008, 33 TexReg 5352; reviewed and readopted to be effective June 21, 2013, 38 TexReg 4393; reviewed and amended to be effective January 1, 2015, 39 TexReg 10408.

§153.7. Prohibition on Prepayment Penalties: Section 50(a)(6)(G).

An equity loan may be paid in advance without penalty or other charge.

(1) A lender may not charge a penalty to a borrower for paying all or a portion of an equity loan early.

(2) A lockout provision is not permitted in an equity loan agreement because it is considered a prepayment penalty.

Source: The provisions of this §153.7 adopted to be effective January 7, 2004, 29 TexReg 86; reviewed and readopted to be effective June 20, 2008, 33 TexReg 5352; reviewed and readopted to be effective June 21, 2013, 38 TexReg 4393.

§153.8. Security of the Equity Loan: Section 50(a)(6)(H).

An equity loan must not be secured by any additional real or personal property other than the homestead. The definition of "homestead" is located at Section 51 of Article XVI, Texas Constitution, and Chapter 41 of the Texas Property Code.

(1) A lender and an owner or an owner's spouse may enter into an agreement whereby a lender may acquire an interest in items incidental to the homestead. An equity loan secured by the following items is not considered to be secured by additional real or personal property:

- (A) escrow reserves for the payment of taxes and insurance;
- (B) an undivided interest in a condominium unit, a planned unit development, or the right to the use and enjoyment of certain property owned by an association;
- (C) insurance proceeds related to the homestead;
- (D) condemnation proceeds;
- (E) fixtures; or

(F) easements necessary or beneficial to the use of the homestead, including access easements for ingress and egress.

(2) A guaranty or surety of an equity loan is not permitted. A guaranty or surety is considered additional property for purposes of Section 50(a)(6)(H). Prohibiting a guaranty or surety is consistent with the prohibition against personal liability in Section 50(a)(6)(C). An equity loan with a guaranty or surety would create indirect liability against the owner. The constitutional home equity lending provisions clearly provide that the homestead is the only allowable collateral for an equity loan. The constitutional home equity provisions prohibit the lender from contracting for recourse of any kind against the owner or owner's spouse, except for provisions providing for recourse against the owner or spouse when the extension of credit is obtained by actual fraud.

(3) A contractual right of offset in an equity loan agreement is prohibited.

(4) A contractual cross-collateralization clause in an equity loan agreement is prohibited.

(5) Any equity loan on an urban homestead that is secured by more than ten acres is secured by additional real property in violation of Section (50)(a)(H).

Source: The provisions of this §153.8 adopted to be effective January 7, 2004, 29 TexReg 86; reviewed and readopted to be effective June 20, 2008, 33 TexReg 5352; reviewed and readopted to be effective June 21, 2013, 38 TexReg 4393.

§153.9. Acceleration: Section 50(a)(6)(J).

An equity loan may not be accelerated because of a decrease in the market value of the homestead or because of the owner's default under other indebtedness not secured by a prior valid encumbrance against the homestead.

(1) An equity loan agreement may contain a provision that allows the lender to accelerate the loan because of a default under the covenants of the loan agreement. Examples of these provisions include a promise to maintain the property or not remove improvements to the property that indirectly affects the market value of the homestead.

(2) A contractual cross-default clause is permitted only if the lien associated with the equity loan agreement is subordinate to the lien that is referenced by the cross default clause.

Source: The provisions of this §153.9 adopted to be effective January 7, 2004, 29 TexReg 86; reviewed and readopted to be effective June 20, 2008, 33 TexReg 5352; reviewed and readopted to be effective June 21, 2013, 38 TexReg 4393.

§153.10. Number of Loans: Section 50(a)(6)(K).

An equity loan must be the only debt secured by the homestead at the time the extension of credit is made unless the other debt was made for a purpose described by Section 50(a)(1)-(a)(5) or (a)(8).

(1) Number of Equity Loans. An owner may have only one equity loan at a time, regardless of the aggregate total outstanding debt against the homestead.

(2) Loss of Homestead Designation. If under Texas law the property ceases to be the homestead of the owner, then the lender, for purposes of Section 50(a)(6)(K), may treat what was previously a home equity mortgage as a non-homestead mortgage.

Source: The provisions of this §153.10 adopted to be effective January 7, 2004, 29 TexReg 86; reviewed and readopted to be effective June 20, 2008, 33 TexReg 5352; reviewed and readopted effective June 21, 2013, 38 TexReg 4393.

§153.11. Repayment Schedule: Section 50(a)(6)(L)(i).

Unless an equity loan is a home equity line of credit under Section 50(a)(6)(t), the loan must be scheduled to be repaid in substantially equal successive periodic installments, not more often than every 14 days and not less often than monthly, beginning no later than two months from the date the extension of credit is made, each of which equals or exceeds the amount of accrued interest as of the date of the scheduled installment.

(1) The two month time period contained in Section 50(a)(6)(L)(i) begins on the date of closing.

(2) For purposes of Section 50(a)(6)(L)(i), a month is the period from a date in a month to the corresponding date in the succeeding month. For example, if a home equity loan closes on March 1, the first installment must be due no later than May 1. If the succeeding month does not have a corresponding date, the period ends on the last day of the succeeding month. For example, if a home equity loan closes on July 31, the first installment must be due no later than September 30.

(3) For a closed-end equity loan to have substantially equal successive periodic installments, some amount of principal must be reduced with each installment. This requirement prohibits balloon payments.

(4) Section 50(a)(6)(L)(i) does not preclude a lender's recovery of payments as necessary for other amounts such as taxes, adverse liens, insurance premiums, collection costs, and similar items.

Source: The provisions of this §153.11 adopted to be effective January 7, 2004, 29 TexReg 86; reviewed and amended to be effective November 13, 2008, 33 TexReg 9074; reviewed and readopted to be effective June 21, 2013, 38 TexReg 4393.

§153.12. Closing Date: Section 50(a)(6)(M)(i).

An equity loan may not be closed before the 12th calendar day after the later of the date that the owner submits an application for the loan to the lender or the date that the lender provides the owner a copy of the required consumer disclosure. One copy of the required consumer disclosure may be provided to married owners. For purposes of determining the earliest permitted closing date, the next succeeding calendar day after the later of the date that the owner submits an application for the loan to the lender or the date that the lender provides the owner a copy of the required consumer disclosure is the first day of the 12-day waiting period. The equity loan may be closed at any time on or after the 12th calendar day after the later of the date that the owner submits an application for the loan to the lender or the date that the lender provides the owner a copy of the required consumer disclosure.

(1) Submission of a loan application to an agent acting on behalf of the lender is submission to the lender.

(2) A loan application may be given orally or electronically.

Source: The provisions of this §153.12 adopted to be effective January 7, 2004, 29 TexReg 86; reviewed and amended to be effective November 13, 2008, 33 TexReg 9075; reviewed and readopted to be effective June 21, 2013, 38 TexReg 4393.

§153.13. Preclosing Disclosure: Section 50(a)(6)(M)(ii).

An equity loan may not be closed before one business day after the date that the owner of the homestead receives a copy of the loan application, if not previously provided, and a final itemized disclosure of the actual fees, points, interest, costs, and charges that will be charged at closing. If a bona fide emergency or another good cause exists and the lender obtains the written consent of the owner, the lender may provide the preclosing disclosure to the owner or the lender may modify the previously provided preclosing disclosure on the date of closing.

(1) For purposes of this section, the "preclosing disclosure" consists of a copy of the loan application, if not previously provided, and a final itemized disclosure of the actual fees, points, interest, costs, and charges that will be charged at closing.

(2) The copy of the loan application submitted to the owner in satisfaction of the preclosing disclosure requirement must be the most current version at the time the document is delivered. The lender is not obligated to provide another copy of the loan application if the only difference from the version previously provided to the owner is formatting. The lender is not obligated to give another copy of the loan application if the information contained on the more recent application is the same as that contained on the application of which the owner has a copy.

(3) A lender may satisfy the disclosure requirement of providing a final itemized disclosure of the actual fees, points, interests, costs, and charges that will be charged at closing by delivery to the borrower of a properly completed Department of Housing and Urban Development (HUD) disclosure Form HUD-1 or HUD-1A.

(4) Bona fide emergency.

(A) An owner may consent to receive the preclosing disclosure or a modification of the preclosing disclosure on the date of closing in the case of a bona fide emergency occurring before the date of the extension of credit. An equity loan secured by a homestead in an area designated by Federal Emergency Management Agency (FEMA) as a disaster area is an example of a bona fide emergency if the homestead was damaged during FEMA's declared incident period.

(B) To document a bona fide emergency modification, the lender should obtain a written statement from the owner that:

- (i) describes the emergency;
- (ii) specifically states that the owner consents to receive the preclosing disclosure or a modification of the preclosing disclosure on the date of closing;
- (iii) bears the signature of all of the owners entitled to receive the preclosing disclosure; and
- (iv) affirms the owner has received notice of the owner's right to receive a final itemized disclosure containing all actual fees, points, costs, and charges one day prior to closing.

(5) Good cause. An owner may consent to receive the preclosing disclosure or a modification of the preclosing disclosure on the date of closing if another good cause exists.

(A) Good cause to modify the preclosing disclosure or to receive a subsequent disclosure modifying the preclosing disclosure on the date of closing may only be established by the owner.

(i) The term "good cause" as used in this section means a legitimate or justifiable reason, such as financial impact or an adverse consequence.

(ii) At the owner's election, a good cause to modify the preclosing disclosure may be established if:

(I) the modification does not create a material adverse financial consequence to the owner; or
(II) a delay in the closing would create an adverse consequence to the owner.

(iii) The term "de minimis" as used in this section means a very small or insignificant amount.

(B) At the owner's election, a de minimis good cause standard may be presumed if:

(i) the total actual disclosed fees, costs, points, and charges on the date of closing do not exceed in the aggregate more than the greater of \$100 or 0.125 percent of the principal amount of the loan (e.g. 0.125 percent on a \$80,000 principal loan amount equals \$100) from the initial preclosing disclosure; and

(ii) no itemized fee, cost, point, or charge exceeds more than the greater of \$100 or 0.125 percent of the principal amount of the loan than the amount disclosed in the initial preclosing disclosure.

(C) To document a good cause modification of the disclosure, the lender should obtain a written statement from the owner that:

(i) describes the good cause;

(ii) specifically states that the owner consents to receive the preclosing disclosure on the date of closing;

(iii) bears the signature of all of the owners entitled to receive the preclosing disclosure; and

(iv) affirms the owner has received notice of the owner's right to receive a final itemized disclosure containing all fees, costs, points, or charges one day prior to closing.

(6) An equity loan may be closed at any time during normal business hours on the next business day following the calendar day on which the owner receives the preclosing disclosure or any calendar day thereafter.

(7) The owner maintains the right of rescission under Section 50(a)(6)(Q)(viii) even if the owner exercises an emergency or good cause modification of the preclosing disclosure.

Source: The provisions of this §153.13 adopted to be effective June 29, 2006, 31 TexReg 5080; amended to be effective November 9, 2006, 31 TexReg 9022; reviewed and amended to be effective November 13, 2008, 33 TexReg 9075; reviewed and readopted to be effective June 21, 2013, 38 TexReg 4393.

§153.14. One Year Prohibition: Section 50(a)(6)(M)(iii).

An equity loan may not be closed before the first anniversary of the closing date of any other equity loan secured by the same homestead property.

(1) Section 50(a)(6)(M)(iii) prohibits an owner who has obtained an equity loan from:

(A) refinancing the equity loan before one year has elapsed since the loan's closing date; or

(B) obtaining a new equity loan on the same homestead property before one year has elapsed since the previous equity loan's closing date, regardless of whether the previous equity loan has been paid in full.

(2) Section 50(a)(6)(M)(iii) does not prohibit modification of an equity loan before one year has elapsed since the loan's closing date. A modification of a home equity loan occurs when one or more terms of an existing equity loan is modified, but the note is not satisfied and replaced. A home equity loan and a subsequent modification will be considered a single

transaction. The home equity requirements of Section 50(a)(6) will be applied to the original loan and the subsequent modification as a single transaction.

(A) A modification of an equity loan must be agreed to in writing by the borrower and lender, unless otherwise required by law. An example of a modification that is not required to be in writing is the modification required under the Soldiers' and Sailors' Civil Relief Act.

(B) The advance of additional funds to a borrower is not permitted by modification of an equity loan.

(C) A modification of an equity loan may not provide for new terms that would not have been permitted by applicable law at the date of closing of the extension of credit.

(D) The 3% fee cap required by Section 50(a)(6)(E) applies to the original home equity loan and any subsequent modification as a single transaction.

Source: The provisions of this §153.14 adopted to be effective January 7, 2004, 29 TexReg 86; reviewed and amended to be effective November 13, 2008, 33 TexReg 9076; reviewed and readopted to be effective June 21, 2013, 38 TexReg 4393.

§153.15. Location of Closing: Section 50(a)(6)(N).

An equity loan may be closed only at an office of the lender, an attorney at law, or a title company. The lender is anyone authorized under Section 50(a)(6)(P) that advances funds directly to the owner or is identified as the payee on the note.

(1) An equity loan must be closed at the permanent physical address of the office or branch office of the lender, attorney, or title company. The closing office must be a permanent physical address so that the closing occurs at an authorized physical location other than the homestead.

(2) Any power of attorney allowing an attorney-in-fact to execute closing documents on behalf of the owner or the owner's spouse must be signed by the owner or the owner's spouse at an office of the lender, an attorney at law, or a title company. A lender may rely on an established system of verifiable procedures to evidence compliance with this paragraph. For example, this system may include one or more of the following:

(A) a written statement in the power of attorney acknowledging the date and place at which the power of attorney was executed;

(B) an affidavit or written certification of a person who was present when the power of attorney was executed, acknowledging the date and place at which the power of attorney was executed; or

(C) a certificate of acknowledgement signed by a notary public under Chapter 121, Civil Practice and Remedies Code, acknowledging the date and place at which the power of attorney was executed.

(3) The consent required under Section 50(a)(6)(A) must be signed by the owner and the owner's spouse, or an attorney-in-fact described by paragraph (2) of this subsection, at an office of the lender, an attorney at law, or a title company.

Source: The provisions of this §153.15 adopted to be effective January 7, 2004, 29 TexReg 86; reviewed and readopted to be effective June 20, 2008, 33 TexReg 5352; reviewed and readopted to be effective June 21, 2013, 38 TexReg 4393.

§153.16. Rate of Interest: Section 50(a)(6)(O).

A lender may contract for and receive any fixed or variable rate of interest authorized under statute.

(1) An equity loan that provides for interest must comply with constitutional and applicable law. Interest rates on certain first mortgages are not limited on loans subject to the federal Depository Institutions Deregulation and Monetary Control Act of 1980 and the Alternative Mortgage Transaction Parity Act. Chapter 342 of the Texas Finance Code provides for a maximum rate on certain secondary mortgage loans. Chapter 124 of the Texas Finance Code and federal law provide for maximum rates on certain mortgage loans made by credit unions. These statutes operate in conjunction with Section 50(a) and other constitutional sections.

(2) An equity loan must amortize and contribute to amortization of principal.

(3) The lender may contract to vary the scheduled installment amount when the interest rate adjusts on a variable rate equity loan. A variable-rate loan is a mortgage in which the lender, by contract, can adjust the mortgage's interest rate after closing in accordance with an external index.

(4) The scheduled installment amounts of a variable rate equity loan must be:

(A) substantially equal between each interest rate adjustment; and

(B) sufficient to cover at least the amount of interest scheduled to accrue between each payment date and a portion of the principal.

(5) An equity loan agreement may contain an adjustable rate of interest that provides a maximum fixed rate of interest pursuant to a schedule of steps or tiered rates or provides a lower initial interest rate through the use of a discounted rate at the beginning of the loan.

Source: The provisions of this §153.16 adopted to be effective January 7, 2004, 29 TexReg 86; reviewed and readopted to be effective June 20, 2008, 33 TexReg 5352; reviewed and readopted to be effective June 21, 2013, 38 TexReg 4393.

§153.17. Authorized Lenders: Section 50(a)(6)(P).

An equity loan must be made by one of the following that has not been found by a federal regulatory agency to have engaged in the practice of refusing to make loans because the applicants for the loans reside or the property proposed to secure the loans is located in a certain area: a bank, savings and loan association, savings bank, or credit union doing business under the laws of this state or the United States; a federally chartered lending instrumentality or a person approved as a mortgagee by the United States government to make federally insured loans; a person licensed to make regulated loans, as provided by statute of this state; a person who sold the homestead property to the current owner and who provided all or part of the financing for the purchase; a person who is related to the homestead owner within the second degree of affinity and consanguinity; or a person regulated by this state as a mortgage broker.

(1) An authorized lender under Chapter 341, Texas Finance Code, must meet both constitutional and statutory qualifications to make an equity loan.

(2) A HUD-approved mortgagee is a person approved as a mortgagee by the United States government to make federally insured loans. Approved correspondents to a HUD-approved mortgage are not authorized lenders of equity loans unless qualifying under another section of (a)(6)(P).

(3) A non-depository lender or broker that makes, negotiates, arranges, or transacts a secondary mortgage loan that is governed by Chapter 342, Texas Finance Code, must comply with the licensing provisions of Chapter 342, Texas Finance Code.

(4) A lender who does not meet the definition of Section 50(a)(6)(P)(i), (ii), (iv), (v), or (vi), must obtain a regulated loan license under Chapter 342 of the Texas Finance Code to meet the provisions of subsection (iii).

Source: The provisions of this §153.17 adopted to be effective January 7, 2004, 29 TexReg 87; reviewed and readopted to be effective June 20, 2008, 33 TexReg 5352; reviewed and readopted to be effective June 21, 2013, 38 TexReg 4393.

§153.18. Limitation on Application of Proceeds: Section 50(a)(6)(Q)(i).

An equity loan must be made on the condition that the owner of the homestead is not required to apply the proceeds of the extension of credit to repay another debt except debt secured by the homestead or debt to another lender.

(1) The lender may not require an owner to repay a debt owed to the lender, unless it is a debt secured by the homestead. The lender may require debt secured by the homestead or debt to another lender or creditor be paid out of the proceeds of an equity loan.

(2) An owner may apply for an equity loan for any purpose. An owner is not precluded from voluntarily using the proceeds of an equity loan to pay on a debt owed to the lender making the equity loan.

Source: The provisions of this §153.18 adopted to be effective June 29, 2006, 31 TexReg 5080; reviewed and readopted to be effective June 20, 2008, 33 TexReg 5352; reviewed and readopted to be effective June 21, 2013, 38 TexReg 4393.

§153.20. No Blanks in Any Instrument: Section 50(a)(6)(Q)(iii).

A home equity loan must be made on the condition that the owner of the homestead not sign any instrument in which blanks are left to be filled in.

(1) This Section of the Constitution prohibits the owner of the homestead from signing any instrument in which blanks are "left to be filled in". This Section is intended to prohibit a person other than the owner from completing one or more blanks in an instrument after the owner has signed the instrument and delivered it to the lender, thereby altering a party's obligation created in the instrument. Not all documents or records executed in connection with an equity loan are instruments, and not all blanks contained in an instrument are "blanks that are left to be filled in" as contemplated by this Section.

(2) As used in this Section, the term instrument means a document or record that creates or alters a legal obligation of a party. A disclosure required under state or federal law is not an instrument if the disclosure does not create or alter the obligation of a party.

(3) If at the time the owner signs an instrument, a blank is completed or box checked which indicates the owner's election to select one of multiple options offered (such as an election to select a fixed rate instead of an adjustable rate) and the owner therefore by implication has excluded the non-selected options, the instrument does not contain "blanks left to be filled in" when the non-selected option is left blank.

Source: The provisions of this §153.20 adopted to be effective June 29, 2006, 31 TexReg 5080; reviewed and readopted to be effective June 20, 2008, 33 TexReg 5352; reviewed and readopted to be effective June 21, 2013, 38 TexReg 4393.

§153.22. Copies of Documents: Section 50(a)(6)(Q)(v).

At closing, the lender must provide the owner with a copy of the final loan application and all executed documents that are signed by the owner at closing in connection with the equity loan. One copy of these documents may be provided to married owners. This requirement does not obligate the lender to give the owner copies of documents that were signed by the owner prior to or after closing.

Source: The provisions of this §153.22 adopted to be effective January 7, 2004, 29 TexReg 87; reviewed and amended to be effective July 10, 2008, 33 TexReg 5295; reviewed and amended to be effective June 20, 2008, 33 TexReg 5352; reviewed and readopted to be effective June 21, 2013, 38 TexReg 4393.

§153.24. Release of Lien: Section 50(a)(6)(Q)(vii).

The lender must cancel and return the note to the owner and give the owner a release of lien or a copy of an endorsement and assignment of the lien to another lender refinancing the loan within a reasonable time after termination and full payment of the loan. The lender or holder, at its option, may provide the owner a release of lien or an endorsement and assignment of the lien to another lender refinancing the loan.

(1) The lender will perform these services and provide the documents required in 50(a)(6)(Q)(vii) without charge.

(2) This section does not require the lender to record or pay for the recordation of the release of lien.

(3) Thirty days is a reasonable time for the lender to perform the duties required under this section.

(4) An affidavit of lost or imaged note, or equivalent, may be returned to the owner in lieu of the original note, if the original note has been lost or imaged.

Source: The provisions of this §153.24 adopted to be effective January 7, 2004, 29 TexReg 87; reviewed and readopted to be effective June 20, 2008 33 TexReg 5352; reviewed and readopted to be effective June 21, 2013, 38 TexReg 4393.

§153.25. Right of Rescission: Section 50(a)(6)(Q)(viii).

The owner of the homestead and any spouse of the owner may, within three days after the extension of credit is made, rescind the extension of credit without penalty or charge.

(1) This provision gives the owner's spouse, who may not be in record title or have community property ownership, the right to rescind the transaction.

(2) The owner and owner's spouse may rescind the extension of credit within three calendar days. If the third calendar day falls on a Sunday or federal legal public holiday then the right of rescission is extended to the next calendar day that is not a Sunday or federal legal public holiday.

(3) A lender must comply with the provisions of the Truth-in-Lending Act permitting the borrower three business days to rescind a mortgage loan in applicable transactions. Lender compliance with the right of rescission procedures in the Truth-in-Lending Act and Regulation Z, satisfies the requirements of this section if the notices required by Truth-in-Lending and Regulation Z are given to each owner and to each owner's spouse.

Source: The provisions of this §153.25 adopted to be effective January 7, 2004, 29 TexReg 87; reviewed and readopted to be effective June 20, 2008, 33 TexReg 5352; reviewed and readopted to be effective June 21, 2013, 38 TexReg 4393.

§153.41. Refinance of a Debt Secured by a Homestead: Section 50(e).

A refinance of debt secured by a homestead and described by any subsection under Subsections (a)(1)-(a)(5) of Section 50 of the Texas Constitution that includes the advance of additional funds may not be secured by a valid lien against the homestead unless: (1) the refinance of the debt is an extension of credit described by Subsection (a)(6) or (a)(7) of Section 50 of the Texas Constitution; or (2) the advance of all the additional funds is for reasonable costs necessary to refinance such debt or for a purpose described by Subsection (a)(2), (a)(3), or (a)(5) of Section 50 of the Texas Constitution.

- (1) Reasonableness and necessity of costs relate to the type and amount of the costs.
- (2) In a secondary mortgage loan, reasonable costs are those costs which are lawful in light of the governing or applicable law that authorizes the assessment of particular costs. In the context of other mortgage loans, reasonable costs are those costs which are lawful in light of other governing or applicable law.
- (3) Reasonable and necessary costs to refinance may include reserves or impounds (escrow trust accounts) for taxes and insurance, if the reserves comply with applicable law.

Source: The provisions of this §153.41 adopted to be effective January 7, 2004, 29 TexReg 87; reviewed and readopted to be effective June 20, 2008, 33 TexReg 5352; reviewed and readopted to be effective June 21, 2013, 38 TexReg 4393.

§153.51. Consumer Disclosure: Section 50(g).

An equity loan may not be closed before the 12th day after the lender provides the owner with the consumer disclosure on a separate instrument.

- (1) If a lender mails the consumer disclosure to the owner, the lender shall allow a reasonable period of time for delivery. A period of three calendar days, not including Sundays and federal legal public holidays, constitutes a rebuttable presumption for sufficient mailing and delivery.
- (2) Certain provisions of the consumer disclosure do not contain the exact identical language concerning requirements of the equity loan that have been used to create the substantive requirements of the loan. The consumer notice is only a summary of the owner's rights, which are governed by the substantive terms of the constitution. The substantive requirements prevail regarding a lender's responsibilities in an equity loan transaction. A lender may supplement the consumer disclosure to clarify any discrepancies or inconsistencies.
- (3) A lender may rely on an established system of verifiable procedures to evidence compliance with this section.
- (4) A lender whose discussions with the borrower are conducted primarily in Spanish for a close-end loan may rely on the translation of the consumer notice developed under the requirements of Texas Finance Code, §341.502. Such notice shall be made available to the public through publication on the Finance Commission's webpage.
- (5) If the owner has executed a power of attorney described by §153.15(2) of this title (relating to Location of Closing: Section 50(a)(6)(N)), then the lender may provide the consumer disclosure to the attorney-in-fact instead of providing it to the owner.

Source: The provisions of this §153.51 adopted to be effective January 7, 2004, 29 TexReg 87; reviewed and amended to be effective November 13, 2008, 33 TexReg 9076; reviewed and readopted to be effective June 21, 2013, 38 TexReg 4393.

§153.82. Owner Requests for HELOC Advance: Section 50(t)(1).

A home equity line of credit (HELOC) is a form of an open-end account that may be debited from time to time, under which credit may be extended from time to time and under which the owner requests advances, repays money, and reborrows money. Any owner who is also a named borrower on the HELOC may request an advance. A HELOC agreement may contain provisions that restrict which borrowers may request an advance or require all borrowers to consent to the request.

Source: The provisions of this §153.82 adopted to be effective March 11, 2004, 29 TexReg 2310; reviewed and readopted to be effective June 20, 2008, 33 TexReg 5352; reviewed and readopted to be effective June 21, 2013, 38 TexReg 4393.

§153.84. Restrictions on Devices and Methods to Obtain a HELOC Advance: Section 50(t)(3).

A HELOC is a form of an open-end account that may be debited from time to time, under which credit may be extended from time to time and under which an owner is prohibited from using a credit card, debit card, or similar device, or preprinted check unsolicited by the borrower to obtain a HELOC advance.

(1) A lender may offer one or more non-prohibited devices or methods for use by the owner to request an advance. Permissible methods include contacting the lender directly for an advance, telephonic fund transfers, and electronic fund transfers. Examples of devices that are not prohibited include prearranged drafts, preprinted checks requested by the borrower, or written transfer instructions. Regardless of the permissible method or device used to obtain a HELOC advance, the amount of the advance must comply with:

- (A) the advance requirements in Section 50(t)(2);
- (B) the loan to value limits in Section 50(t)(5); and
- (C) the debit or advance limits in Section 50(t)(6).

(2) A borrower may from time to time specifically request preprinted checks for use in obtaining a HELOC advance but may not request the lender to periodically send preprinted checks to the borrower. A borrower may use a check reorder form, which may be included with preprinted checks, as a means of requesting a specific number of preprinted checks.

(3) An owner may, but is not required to, make in-person contact with the lender to request preprinted checks or to obtain a HELOC advance.

Source: The provisions of this §153.84 adopted to be effective March 11, 2004, 29 TexReg 2310; reviewed and amended to be effective July 10, 2008, 33 TexReg 5295; reviewed and amended to be effective June 20, 2008, 33 TexReg 5352; reviewed and readopted to be effective June 21, 2013, 38 TexReg 4393.

§153.85. Time the Extension of Credit is Established: Section 50(t)(4).

(a) A HELOC is a form of an open-end account that may be debited from time to time, under which credit may be extended from time to time and under which fees described in Section 50(a)(6)(E) are charged and collected only at the time the extension of credit is established and no fee is charged or collected in connection with any debit or advance.

(b) For the purpose of this section, the time the extension of credit is established for a HELOC refers to the date of closing.

Source: The provisions of this §153.85 adopted to be effective March 11, 2004, 29 TexReg 2310; reviewed and readopted to be effective June 20, 2008, 33 TexReg 5352; reviewed and readopted to be effective June 21, 2013, 38 TexReg 4393.

§153.86. Maximum Principal Amount Extended under a HELOC: Section 50(t)(5).

A HELOC is a form of an open-end account that may be debited from time to time, under which credit may be extended from time to time and under which the maximum principal amount that may be extended under the account, when added to the aggregated total of the outstanding principal balances of all indebtedness secured by the homestead on the date the extension of credit is established, cannot exceed 80 percent of the fair market value of the homestead on the date the extension of credit is made.

(1) At the time the initial or subsequent advance is made, the principal amount of the advance must comply with Section 50(t)(5). The following amounts when added together must be equal to or less than 80 percent of the fair market value:

(A) the amount of the advance;

(B) the amount of the principal balance of the HELOC at the time of the advance; and

(C) the principal balance outstanding of all other debts secured by the homestead on the date of the closing of the HELOC.

(2) An advance under Section 50(t)(5) must meet the requirements of Section 50(t)(2).

(3) The maximum principal balance of the HELOC that may be outstanding at any time must be determined on the date of closing and will not change through the term of the HELOC.

(4) For purposes of calculating the limits and thresholds under Section 50(t)(5) and (6), the outstanding principal balance of all other debts secured by the homestead is the principal balance outstanding of all other debts secured by the homestead on the date of the closing of the HELOC.

Source: The provisions of this §153.86 adopted to be effective March 11, 2004, 29 TexReg 2310; reviewed and readopted to be effective June 20, 2008, 33 TexReg 5352; reviewed and readopted to be effective June 21, 2013, 38 TexReg 4393.

§153.87. Maximum Principal Amount of Additional Advances under a HELOC: Section 50(t)(6).

A HELOC is a form of an open-end account that may be debited from time to time, under which credit may be extended from time to time and under which no additional debits or advances can be made if the total principal amount outstanding exceeds an amount equal to 50 percent of the fair market value of the homestead as determined on the date the account is established.

(1) A subsequent advance may be made only when the outstanding principal amount of the HELOC is 50 percent or less of the fair market value.

(2) A subsequent advance is prohibited if the outstanding principal amount of the HELOC exceeds 50 percent of the fair market value.

(3) If the outstanding principal amount exceeds 50 percent of the fair market value and then is repaid to an amount equal to or below the 50 percent of the fair market value, subsequent advances are permitted subject to the requirements of Sections 50(t)(2) and (5).

Source: The provisions of this §153.87 adopted to be effective March 11, 2004, 29 TexReg 2311; reviewed and readopted to be effective June 20, 2008, 33 TexReg 5352; reviewed and readopted to be effective June 21, 2013, 38 TexReg 4393.

§153.88. Repayment Terms of a HELOC: Section 50(t)(8).

(a) A HELOC is a form of an open-end account that may be debited from time to time, under which credit may be extended from time to time and under which repayment is to be made in regular periodic installments, not more often than every 14 days and not less often than monthly, beginning not later than two months from the date the extension of credit is established, and during the period during which the owner may request advances, each installment equals or exceeds the amount of accrued interest; and after the period during which the owner may request advances, installments are substantially equal.

(b) Repayment of a HELOC is not required to begin until two months after the initial advance. For example, if an advance is not made at the time of closing, the repayment period is not required to begin until after the first advance. If there is no outstanding balance, then a payment is not required.

(c) Nothing in this section prohibits a borrower from voluntarily making payments on a schedule that is more frequent or earlier than is required by a lender.

Source: The provisions of this §153.88 adopted to be effective March 11, 2004, 29 TexReg 2311; reviewed and readopted to be effective June 20, 2008, 33 TexReg 5352; reviewed and readopted to be effective June 21, 2013, 38 TexReg 4393.

§153.91. Adequate Notice of Failure to Comply.

(a) A borrower notifies a lender or holder of its alleged failure to comply with an obligation by taking reasonable steps to notify the lender or holder of the alleged failure to comply. The notification must include a reasonable:

- (1) identification of the borrower;
- (2) identification of the loan; and
- (3) description of the alleged failure to comply.

(b) A borrower is not required to cite in the notification the section of the Constitution that the lender or holder allegedly violated.

Source: The provisions of this §153.91 adopted to be effective November 11, 2004, 29 TexReg 10259; reviewed and readopted to be effective June 20, 2008, 33 TexReg 5352; reviewed and readopted to be effective June 21, 2013, 38 TexReg 4393.

§153.92. Counting the 60-Day Cure Period.

(a) For purposes of Section 50(a)(6)(Q)(x), the day after the lender or holder receives the borrower's notification is day one of the 60-day period. All calendar days thereafter are counted up to day 60. If day 60 is a Sunday or federal legal public holiday, the period is extended to include the next day that is not a Sunday or federal legal public holiday.

(b) If the borrower provides the lender or holder inadequate notice, the 60-day period does not begin to run.

Source: The provisions of this §153.92 adopted to be effective November 11, 2004, 29 TexReg 10259; reviewed and readopted to be effective June 20, 2008, 33 TexReg 5352; reviewed and readopted to be effective June 21, 2013, 38 TexReg 4393.

§153.93. Methods of Notification.

(a) At closing, the lender or holder may make a reasonably conspicuous designation in writing of the location where the borrower may deliver a written or oral notice of a violation under 50(a)(6)(Q)(x). The designation may include a mailing address, physical address, and telephone number. In addition, the lender or holder may designate an email address or other point of contact for delivery of a notice.

(b) If the lender or holder chooses to change the designated delivery location as provided in subsection (a) of this section, the address change does not become effective until the lender or holder sends conspicuous written notice of the address change to the borrower.

(c) The borrower may always deliver written notice to the registered agent of the lender or holder even if the lender or holder has named a delivery location.

(d) If the lender or holder does not designate a location where the borrower may deliver a notice of violation, the borrower may deliver the notice to any physical address or mailing address of the lender or holder.

(e) Delivery of the notice by borrower to lender or holder's designated delivery location or registered agent by certified mail return receipt or other carrier delivery receipt, signed by the lender or holder, constitutes a rebuttable presumption of receipt by the lender or holder.

(f) If the borrower opts for a location or method of delivery other than set out in subsection (e), the borrower has the burden of proving that the location and method of delivery were reasonably calculated to put the lender or holder on notice of the default.

Source: The provisions of this §153.93 adopted to be effective March 3, 2005, 30 TexReg 1068; reviewed and adopted to be effective June 20, 2008, 33 TexReg 5352; reviewed and readopted to be effective June 21, 2013, 38 TexReg 4393.

§153.94. Methods of Curing a Violation Under Section 50(a)(6)(Q)(x)(a)-(e).

(a) The lender or holder may correct a failure to comply under Section 50(a)(6)(Q)(x)(a) – (e), on or before the 60th day after the lender or holder receives the notice from an owner, if the lender or holder delivers required documents, notices, acknowledgements, or pays funds by:

(1) placing in the mail, placing with other delivery carrier, or delivering in person the required documents, notices, acknowledgements, or funds;

(2) crediting the amount to borrower's account; or

(3) using any other delivery method that the borrower agrees to in writing after the lender or holder receives the notice.

(b) The lender or holder has the burden of proving compliance with this section.

Source: The provisions of this §153.94 adopted to be effective November 11, 2004, 29 TexReg 10259; reviewed and readopted to be effective June 20, 2008, 33 TexReg 5352; reviewed and readopted to be effective June 21, 2013, 38 TexReg 4393.

§153.95. Cure a Violation Under Section 50(a)(6)(Q)(x).

- (a) If the lender or holder timely corrects a violation of Section 50(a)(6) as provided in Section 50(a)(6)(Q)(x), then the violation does not invalidate the lien.
- (b) A lender or holder who complies with Section 50(a)(6)(Q)(x) to cure a violation before receiving notice of the violation from the borrower receives the same protection as if the lender had timely cured after receiving notice.
- (c) A borrower's refusal to cooperate fully with an offer that complies with Section 50(a)(6)(Q)(x) to modify or refinance an equity loan does not invalidate the lender's protection for correcting a failure to comply.

Source: The provisions of this §153.95 adopted to be effective November 11, 2004, 29 TexReg 10259; reviewed and amended to be effective November 13, 2008, 33 TexReg 9077; reviewed and readopted to be effective June 21, 2013, 38 TexReg 4393.

§153.96. Correcting Failures Under Section 50(a)(6)(Q)(x)(f).

- (a) To correct a failure to comply under Section 50(a)(6)(Q)(x)(f), on or before the 60th day after the lender or holder receives the notice from the borrower the lender or holder may:
 - (1) refund or credit the \$1,000 to the account of the borrower; and
 - (2) make an offer to modify or an offer to refinance the extension of credit on the terms provided in Section 50(a)(6)(Q)(x)(f) by placing the offer in the mail, other delivery carrier, or delivering the offer in person to the owner.
- (b) To correct a failure to comply under Section 50(a)(6)(Q)(x)(f):
 - (1) the lender or holder has the option to either refund or credit \$1,000; and
 - (2) the lender or holder and borrower may:
 - (A) modify the equity loan without completing the requirements of a refinance; or
 - (B) refinance with an extension of credit that complies with Section 50(a)(6).
- (c) The lender or holder has the burden of proving compliance with this section.
- (d) After the borrower accepts an offer to modify or refinance, the lender must make a good faith attempt to modify or refinance within a reasonable time not to exceed 90 days.

Source: The provisions of this §153.96 adopted to be effective November 11, 2004, 29 TexReg 10260; reviewed and readopted to be effective June 20, 2008, 33 TexReg 5352; reviewed and readopted to be effective June 21, 2013, 38 TexReg 4393.